

[54] MAKE-UP CASE

[76] Inventor: Gabriele Rost, Elisabethenstr. 62, D-6050 Offenbach, Fed. Rep. of Germany

[\*\*] Term: 7 Years

[21] Appl. No.: 778,568

[22] Filed: Mar. 17, 1977

[30] Foreign Application Priority Data

Oct. 15, 1976 [DE] Fed. Rep. of Germany ... 73MR8545

[51] Int. Cl. .... D3-01

[52] U.S. Cl. .... D28/79

[58] Field of Search ..... D87/5 C; D9/230, 236, D9/237, 240; D28/73, 76-78, 81, 83, 91; 220/DIG. 26; 132/79 R, 79 F, 82 R, 82 C, 82 D, 83 C; 206/581, 235, 37, 823

[56] References Cited

U.S. PATENT DOCUMENTS

D. 81,819 8/1930 Wakefield ..... D28/83

D. 88,422	11/1932	LaFontaine	.....	D28/77 X
D. 139,513	11/1944	Derham	.....	D28/82
D. 179,551	1/1957	Van Voorhis	.....	D28/79
D. 244,583	6/1977	Barish	.....	D9/236

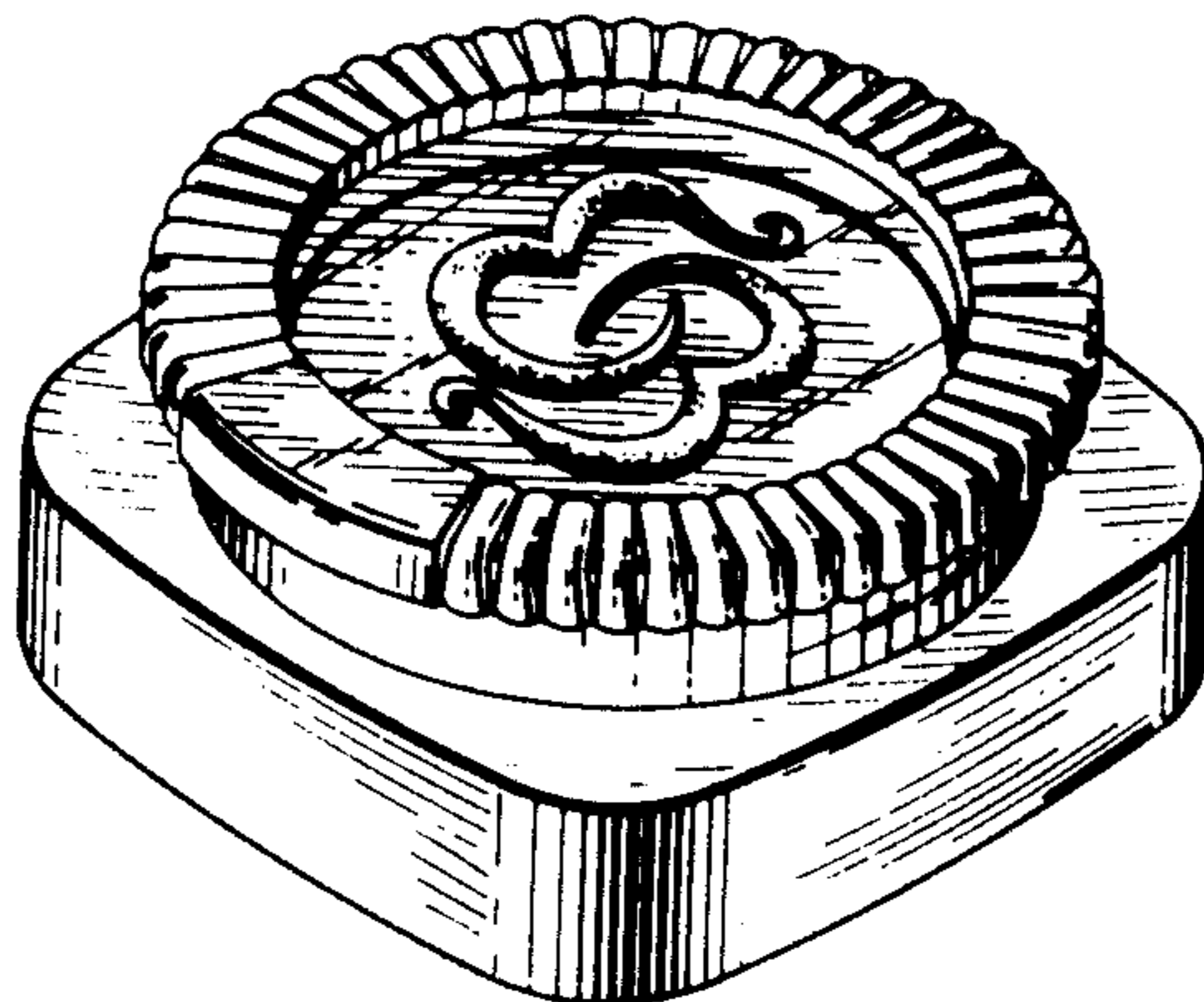
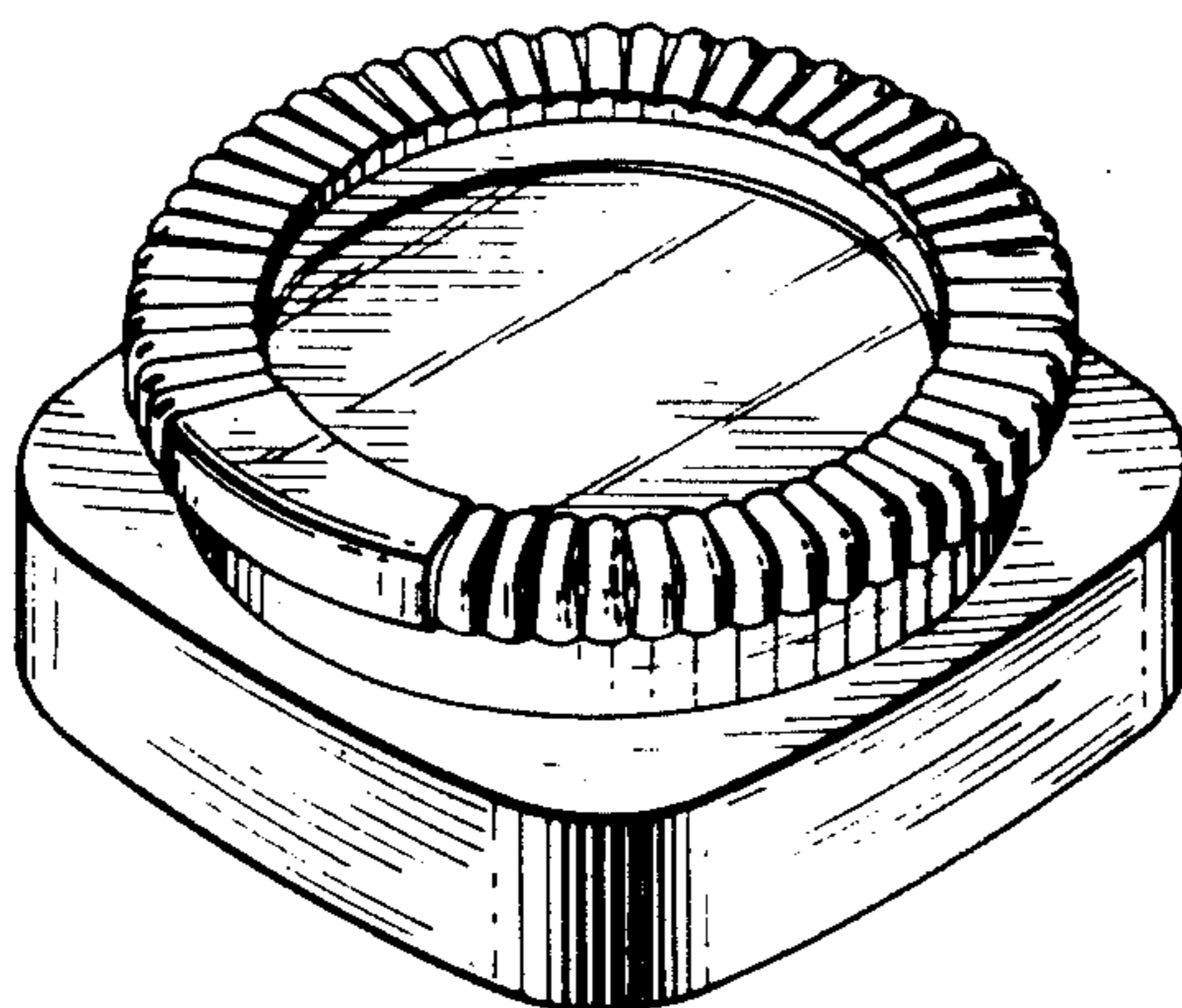
Primary Examiner—Winifred E. Herrmann  
Assistant Examiner—Louis S. Zarfes  
Attorney, Agent, or Firm—Irvin S. Thompson

[57] CLAIM

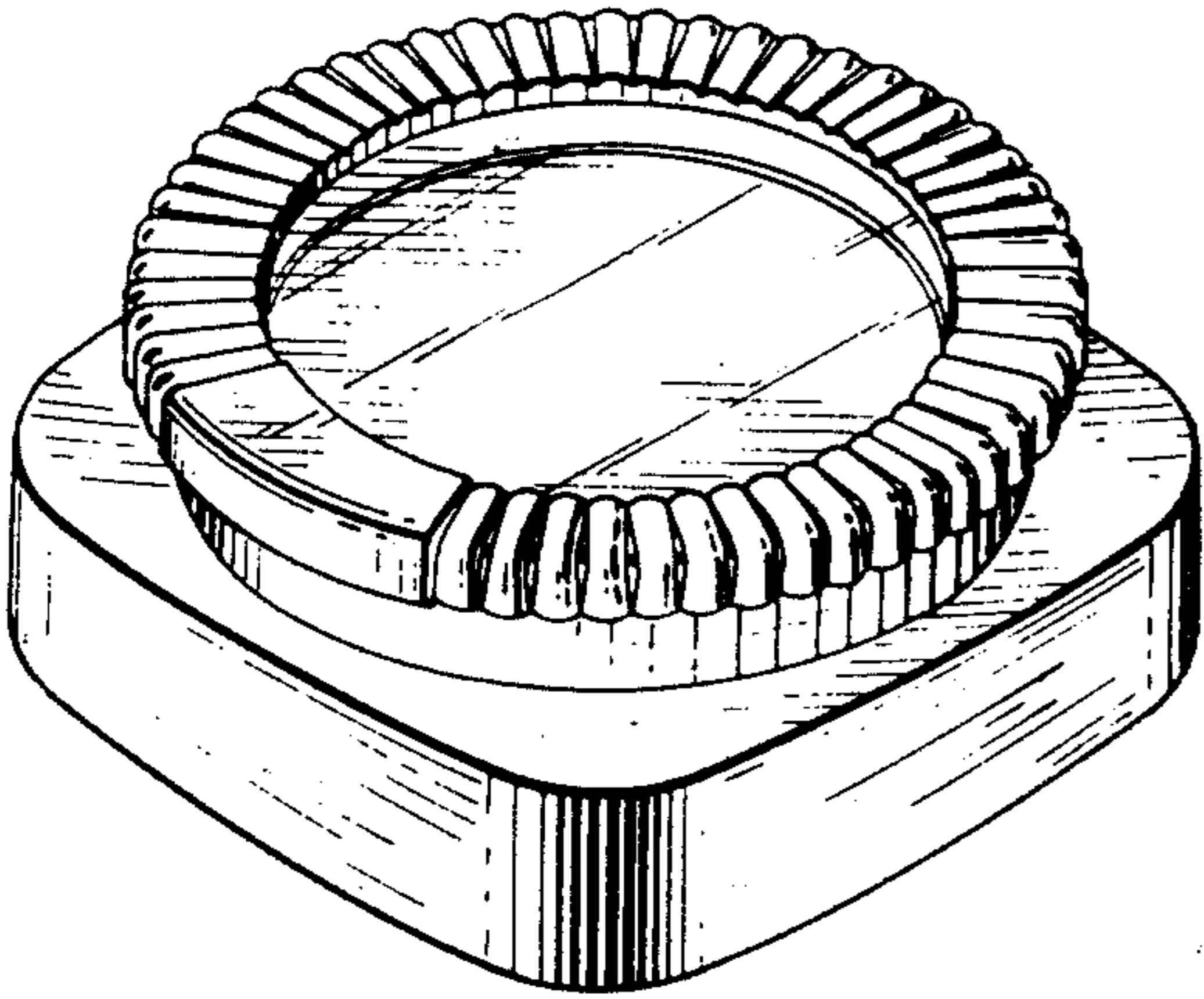
The ornamental design for a make-up case, as shown and described.

DESCRIPTION

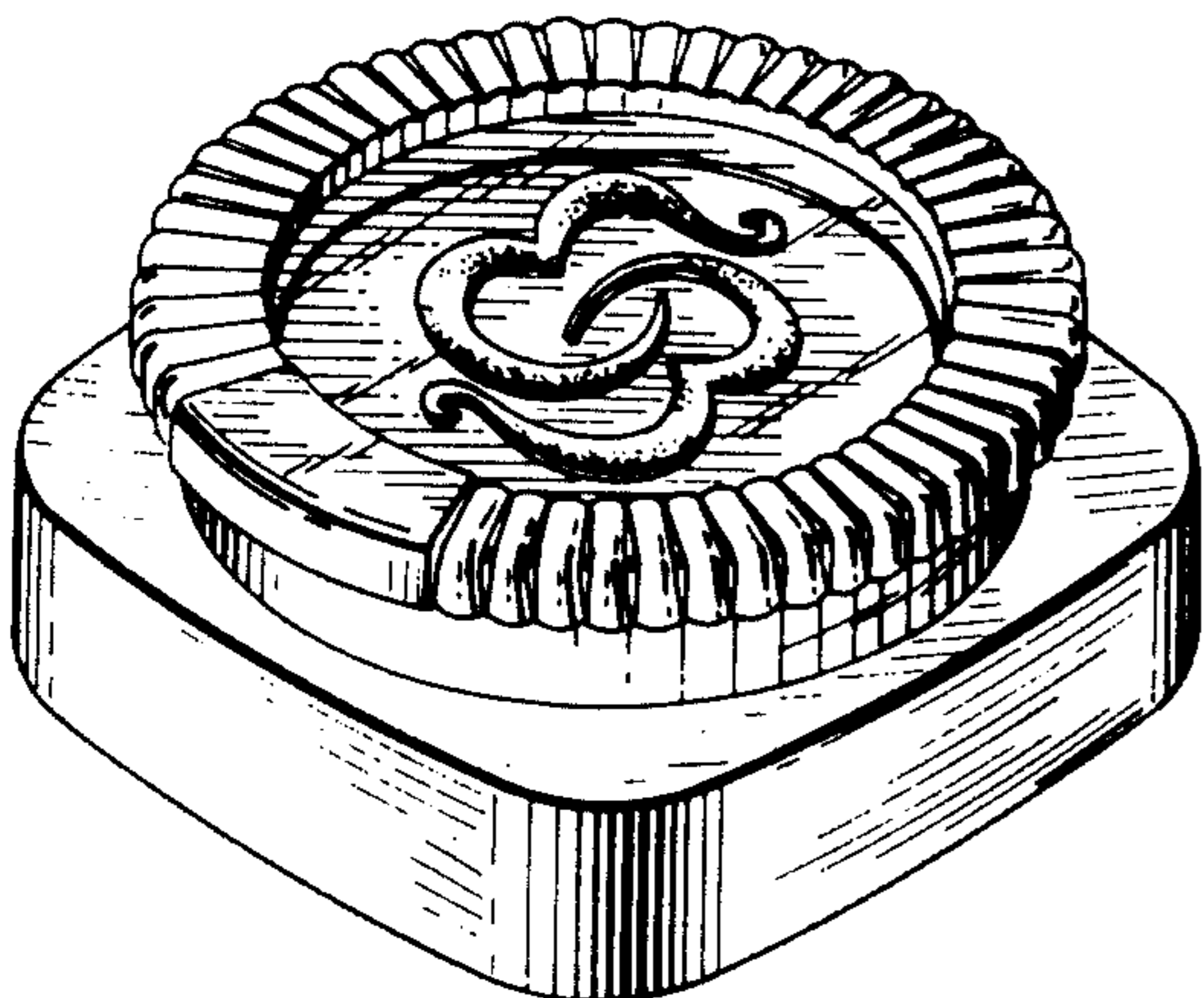
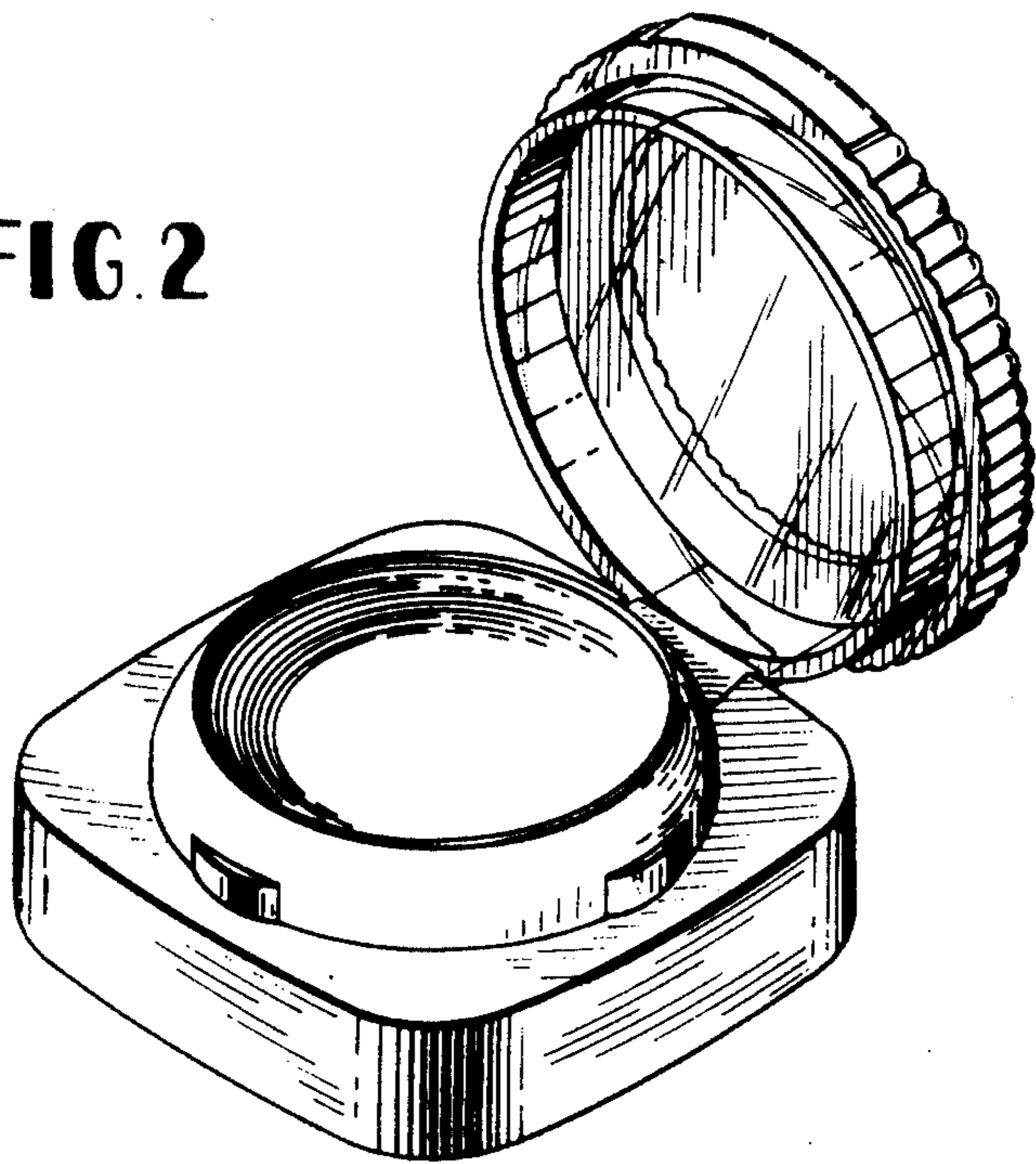
FIG. 1 is a top perspective view of a make-up case showing my new design;  
FIG. 2 is a view similar to FIG. 1 but with the lid of the case raised;  
FIG. 3 is a top plan view of the closed case;  
FIG. 4 is a front elevational view thereof;  
FIG. 5 is a rear elevational view thereof;  
FIG. 6 is a bottom plan view thereof; and  
FIG. 7 is a top perspective view of a make-up case showing a modified form of my new design.



**FIG. 1**

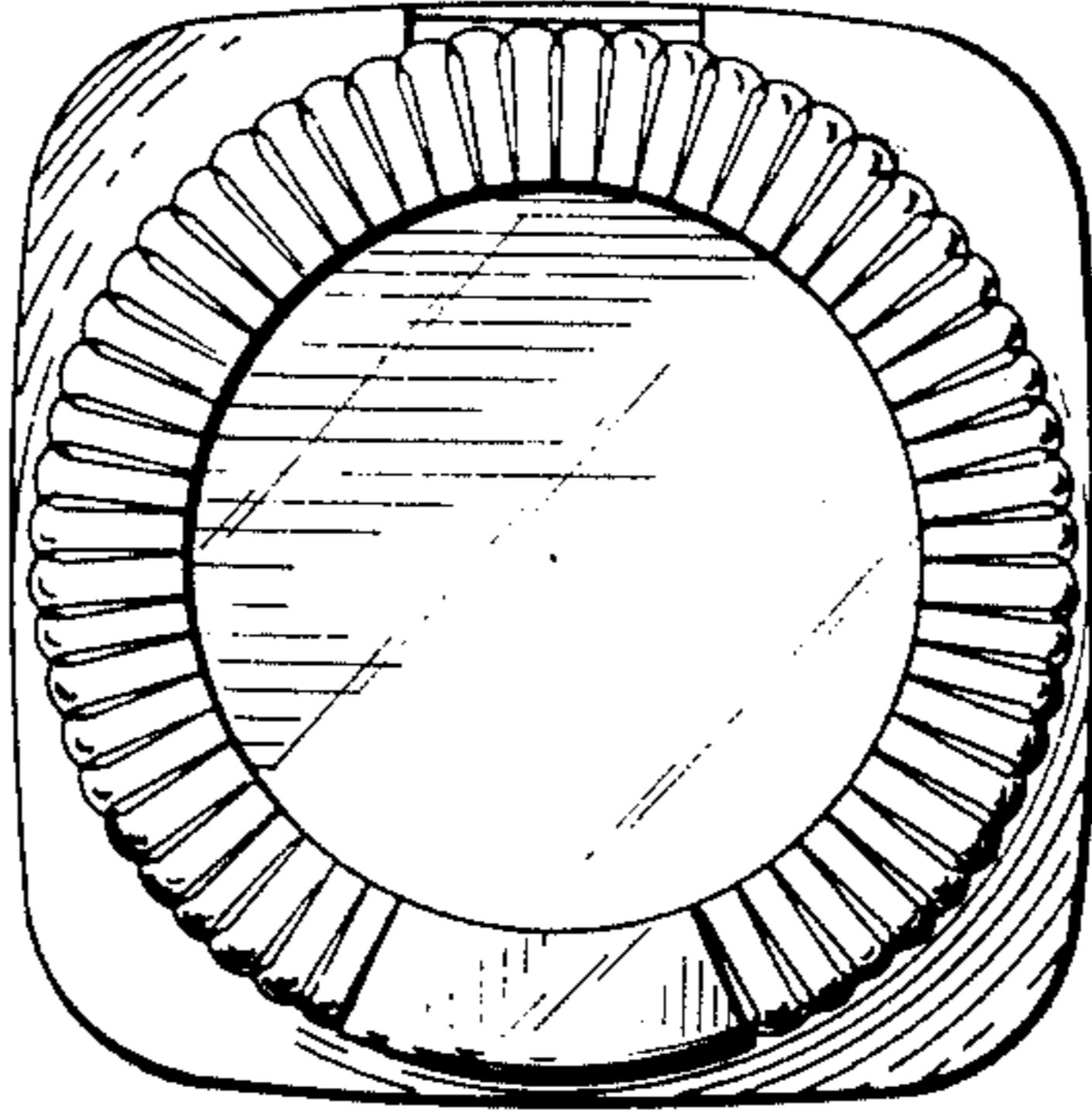


**FIG. 2**

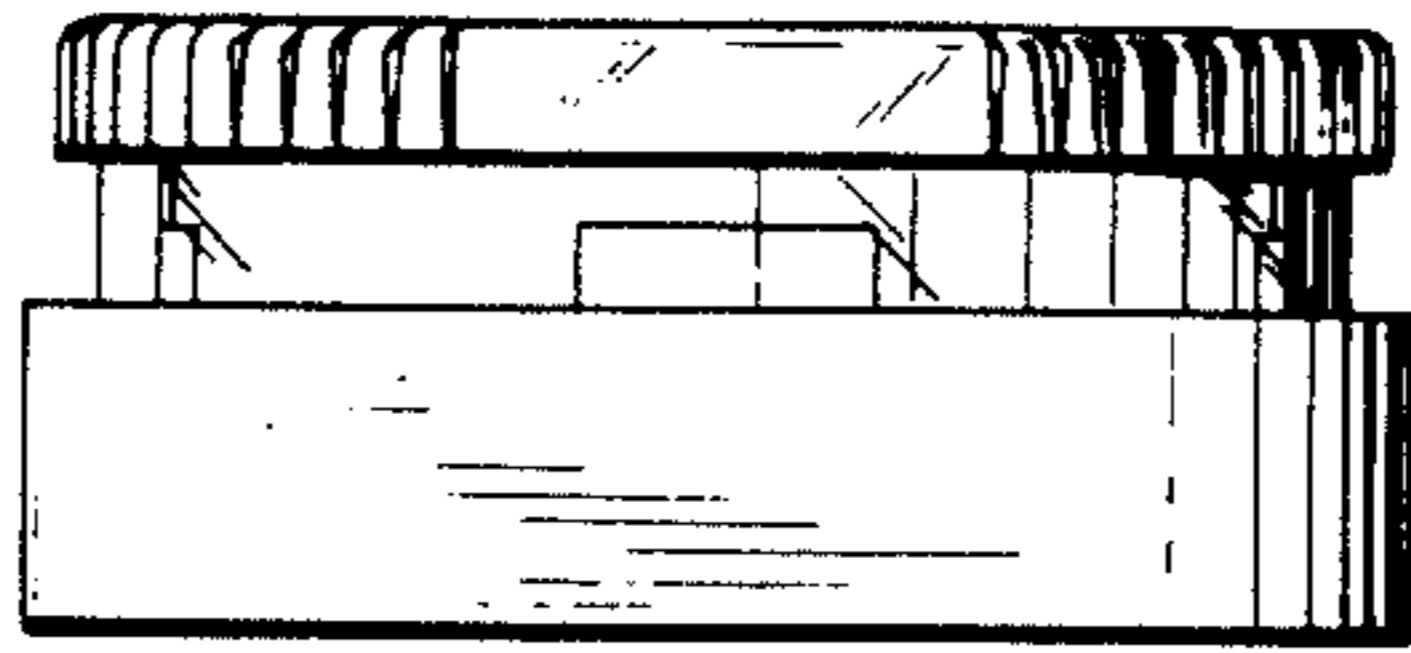


**FIG. 7**

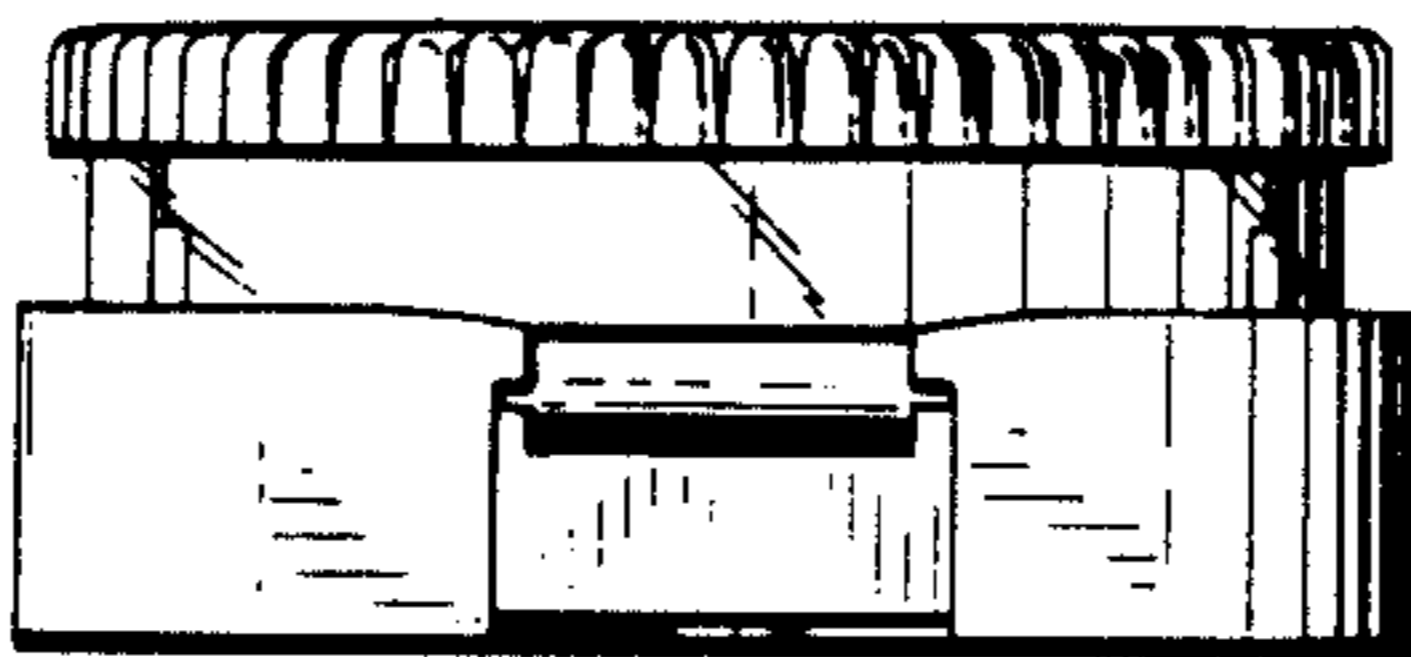
**FIG. 3**



**FIG. 4**



**FIG. 5**



**FIG. 6**

