

[54] WOOD BURNING STOVE WITH DOOR
[75] Inventors: Roger A. Chinn; Edna A. Chinn, both of Tigard; John E. Blaser, Tualatin; Keith N. Bender, Aloha, all of Oreg.

D. 237,084 10/1975 Collver D23/97
D. 241,548 9/1976 Rheingold et al. D23/97
D. 243,242 2/1977 Antone D23/93
D. 244,136 4/1977 Buckner D23/107

[73] Assignee: Woodcutter's Manufacturing, Inc.
[**] Term: 14 Years
[21] Appl. No.: 842,376
[22] Filed: Oct. 14, 1977

OTHER PUBLICATIONS
Woodburning Quarterly, Fall 1976 issue, p. 44, Monarch stove advertisement.
Primary Examiner—A. Hugo Word
Assistant Examiner—Catherine Kemper
Attorney, Agent, or Firm—Daniel P. Chernoff

[51] Int. Cl. D23—03
[52] U.S. Cl. D23/97
[58] Field of Search D23/72, 86, 89, 92, D23/93, 94, 97, 105, 107, 108, 127, 128; D7/112, 113, 114; 12/4, 6, 58, 59, 60, 62, 65, 120, 121, 123, 126, 138, 190, 200, 211, 217

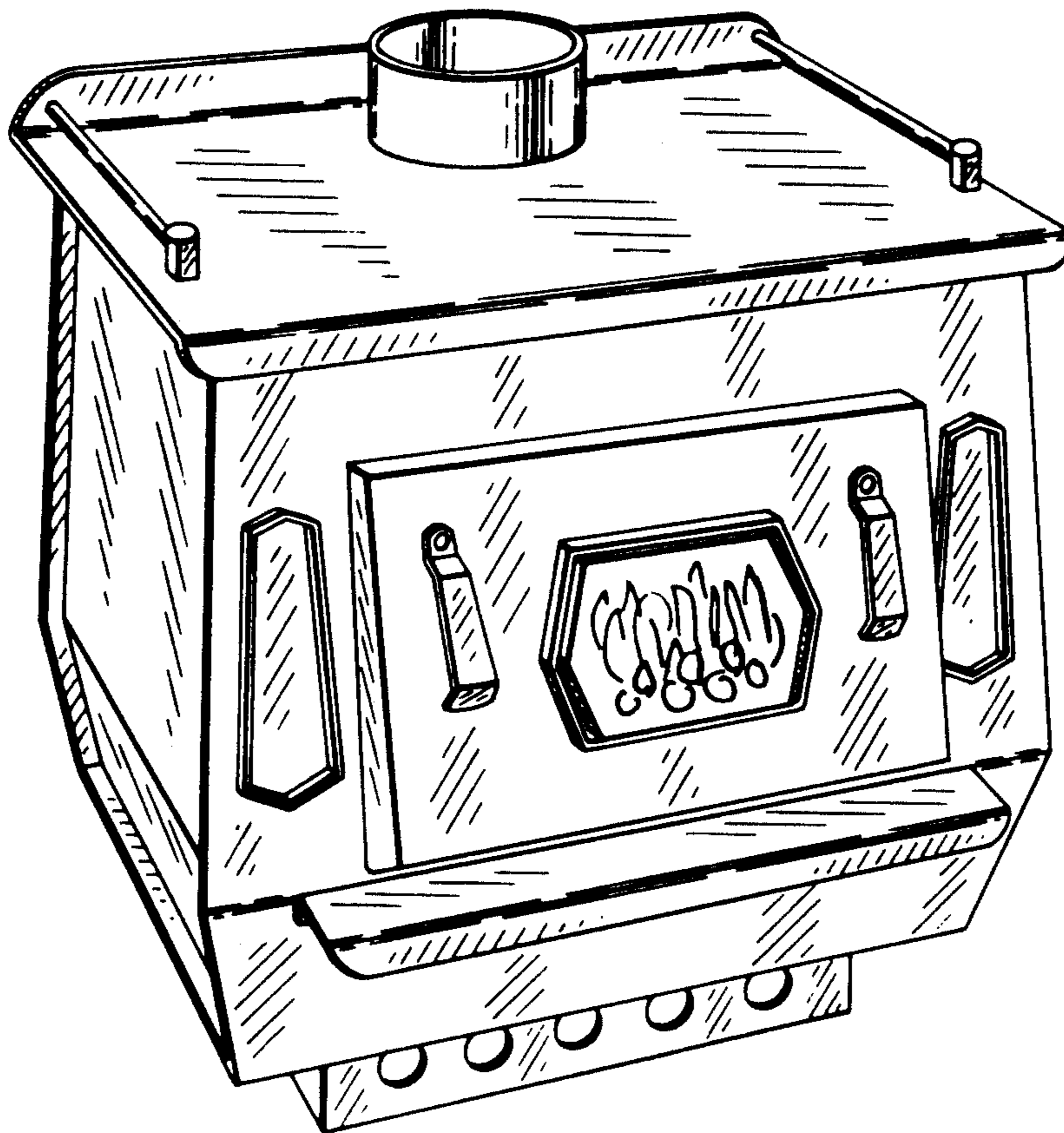
[57] CLAIM
The ornamental design for a wood burning stove with door, as shown.

[56] References Cited
U.S. PATENT DOCUMENTS

DESCRIPTION

D. 153,062 3/1949 Ferar et al. D23/92
D. 191,999 12/1961 Haralson D23/97
D. 216,513 1/1970 Miles et al. D23/93

FIG. 1 is a perspective view of a wood burning stove with door, showing our new design;
FIG. 2 is a left side elevational view thereof;
FIG. 3 is a plan view thereof;
FIG. 4 is a right side elevational view thereof;
FIG. 5 is a front elevational view thereof; and
FIG. 6 is a rear elevational view thereof.



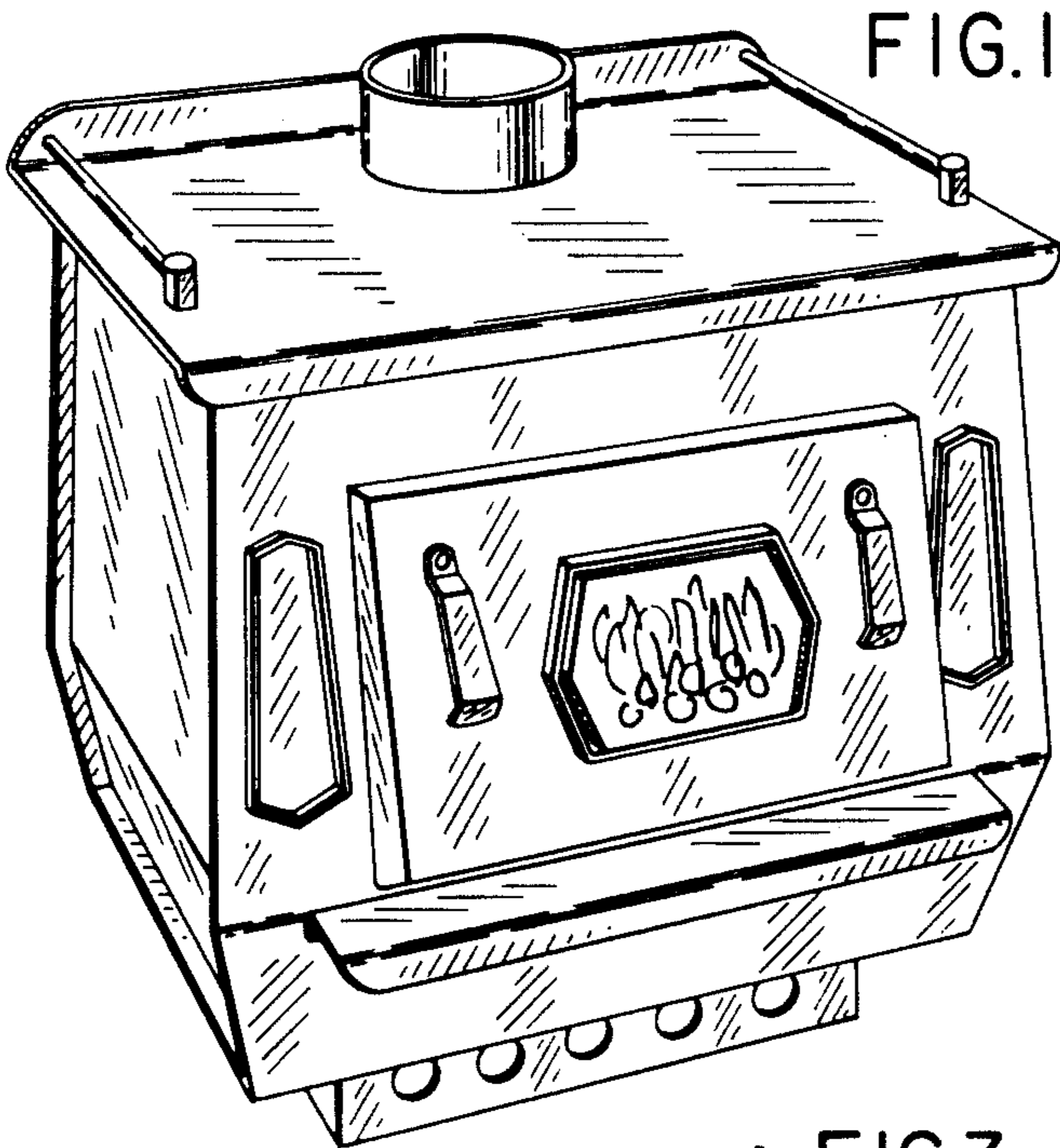


FIG. 1

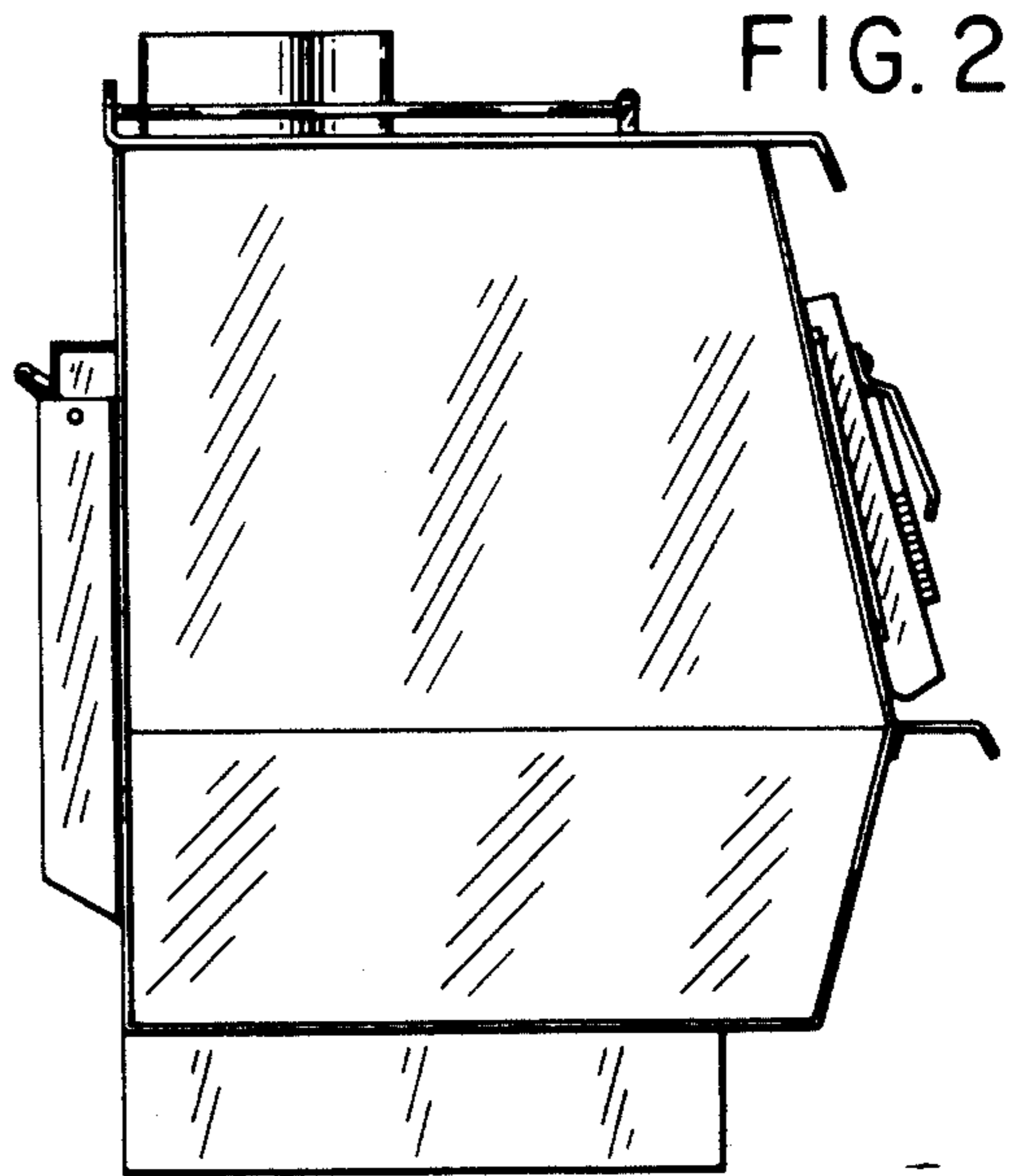


FIG. 2

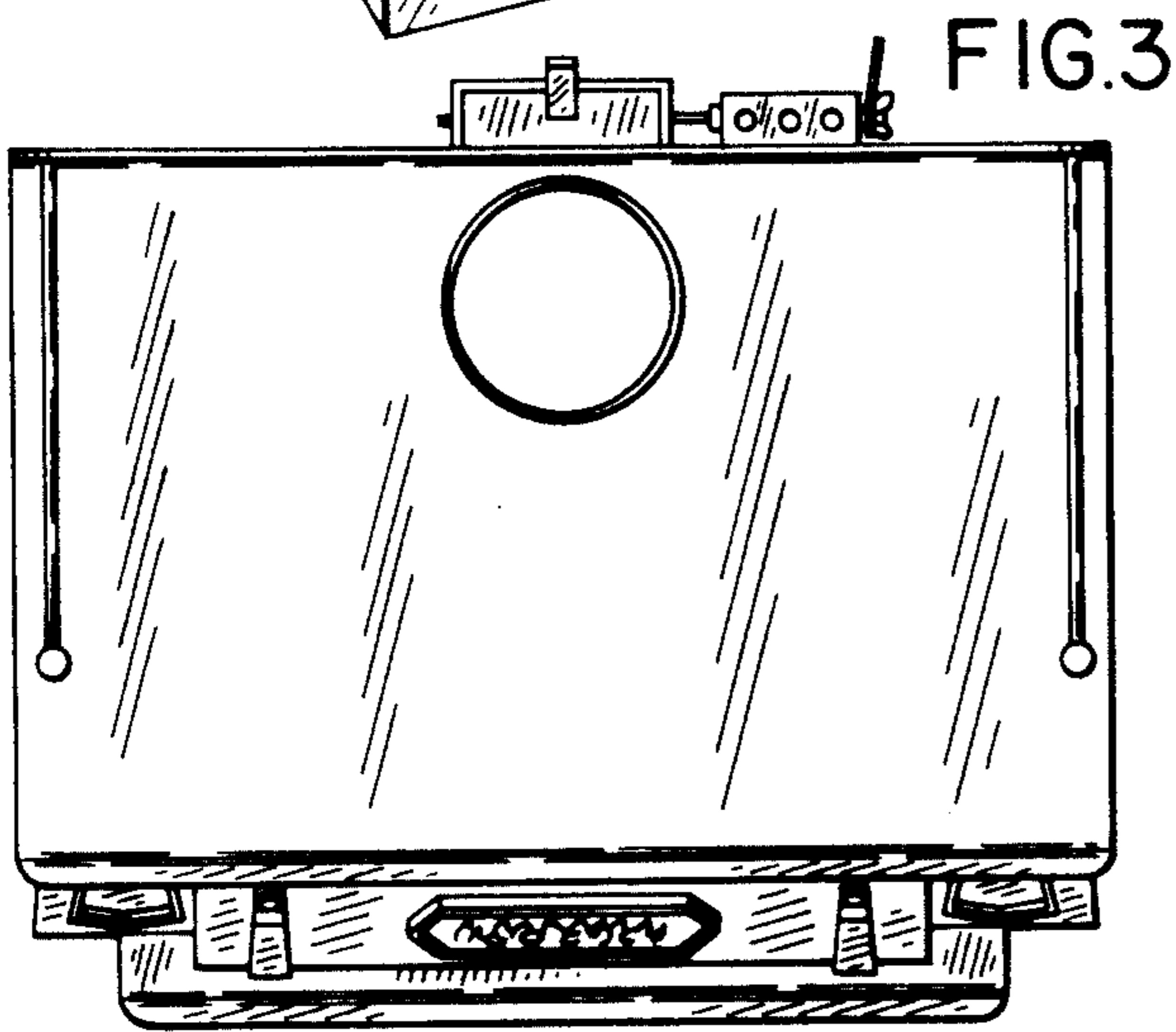


FIG. 3

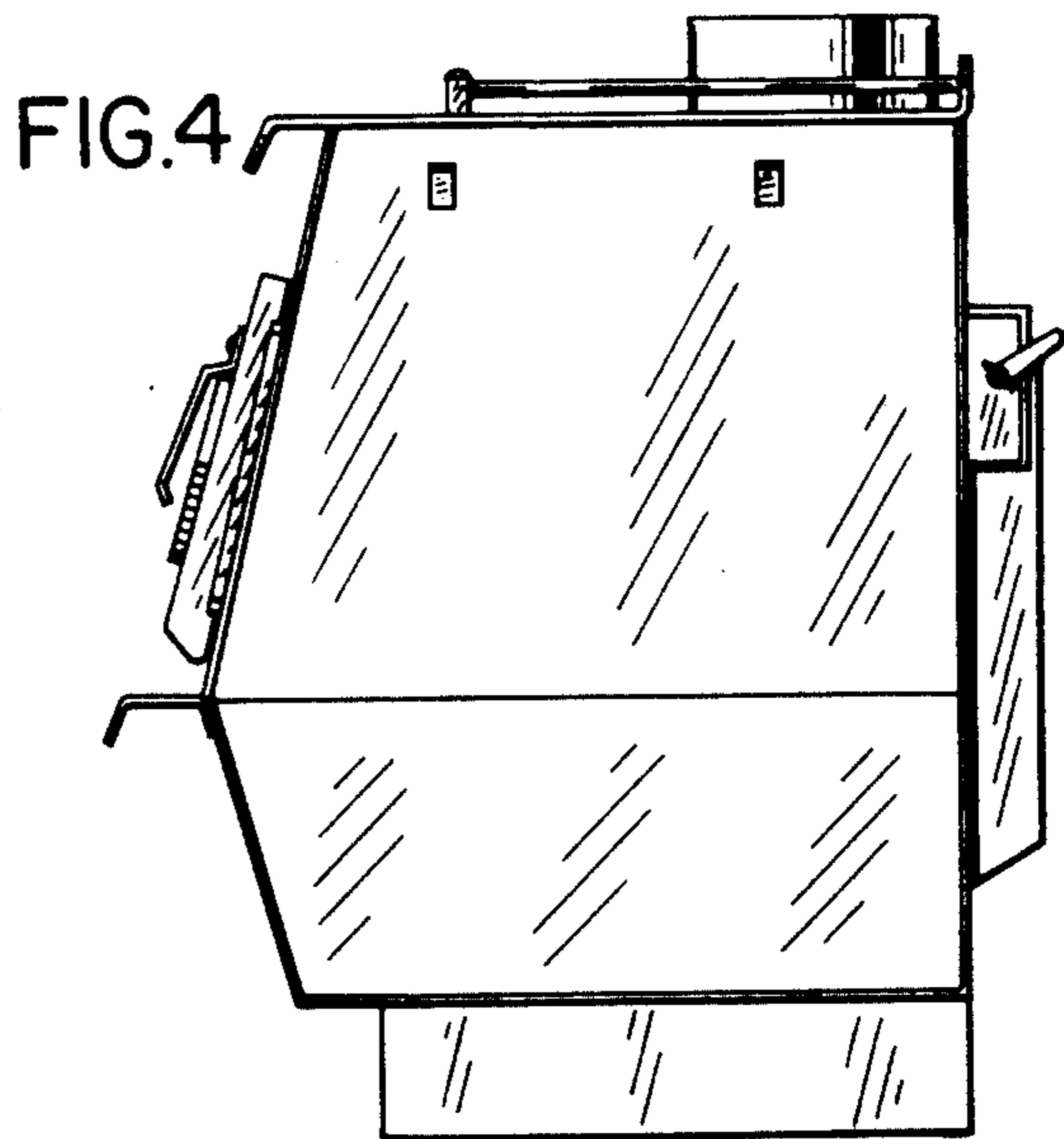


FIG. 4

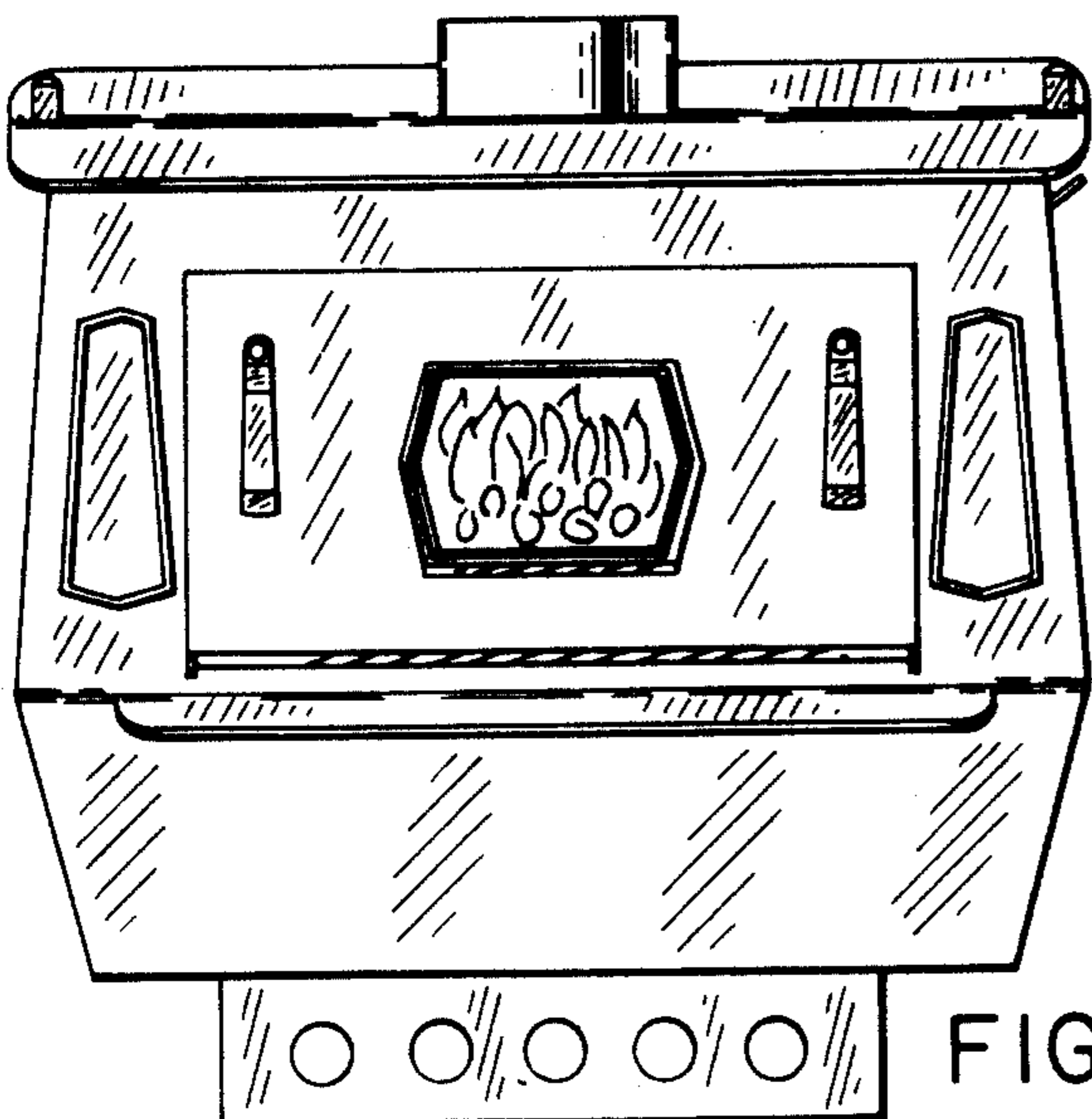


FIG. 5

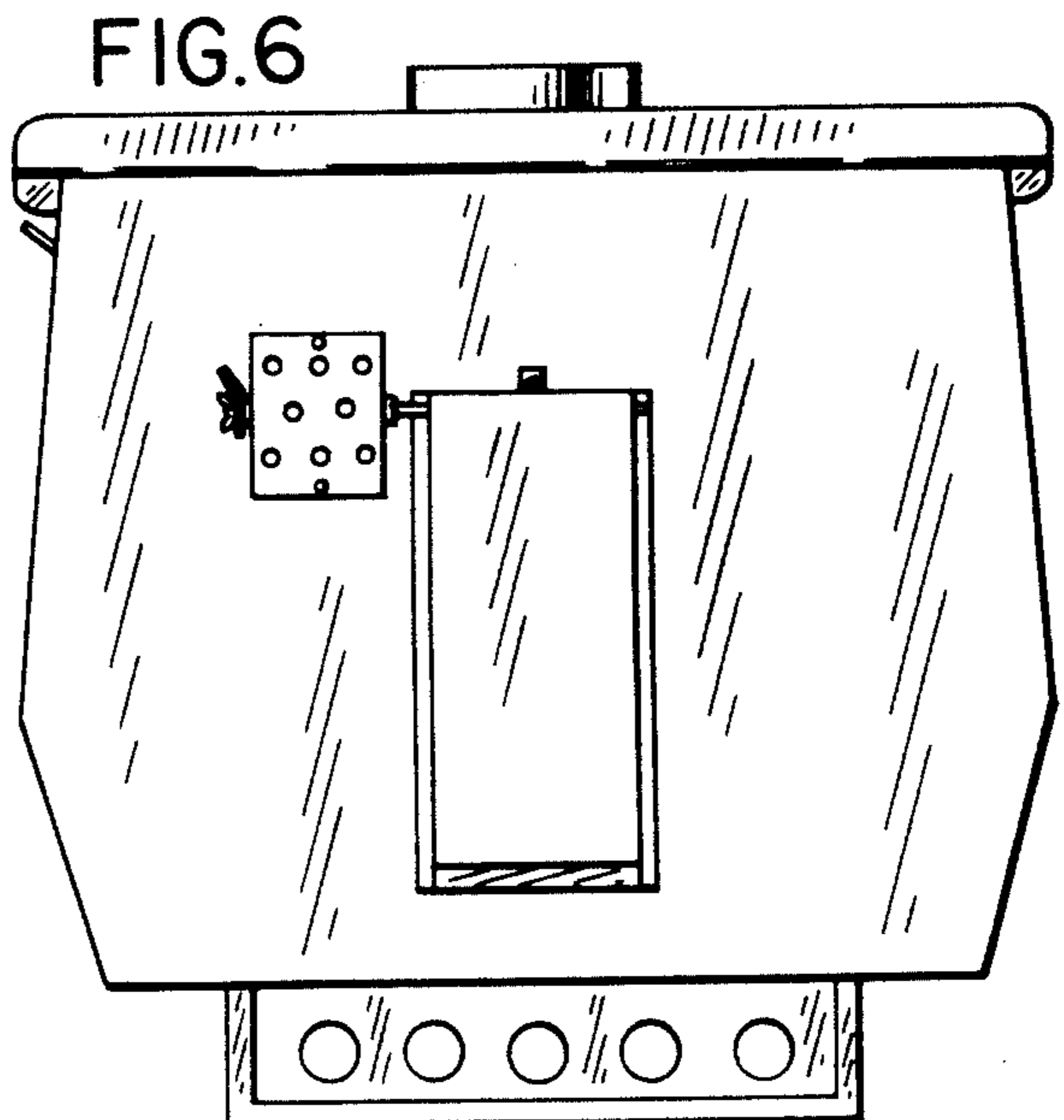


FIG. 6