

[54] FREE STANDING STOVE

[76] Inventors: Norman W. Twiss, Box 486, Star Route; Norman W. Twiss, Box 525, Star Route, both of Gales Creek, Oreg. 97117

[\*\*] Term: 14 Years

[21] Appl. No.: 811,521

[22] Filed: Jul. 11, 1977

[51] Int. Cl. .... D23-03

[52] U.S. Cl. .... D23/97

[58] Field of Search ..... D23/72, 86, 89, 92, D23/93, 94, 97, 105, 107, 108, 127, 128; D7/112, 113, 114; 126/4, 6, 58, 59, 60, 62, 65, 120, 121, 123, 126, 138, 190, 200, 211, 217

[56] References Cited

U.S. PATENT DOCUMENTS

D. 237,084 10/1975 Collver ..... D23/97

D. 241,548 9/1976 Rheingold et al. .... D23/97  
D. 243,242 2/1977 Antone ..... D23/93  
3,174,473 3/1965 Swanstrom, Sr. et al. .... 126/4  
3,952,721 4/1976 Patterson ..... 126/4 X

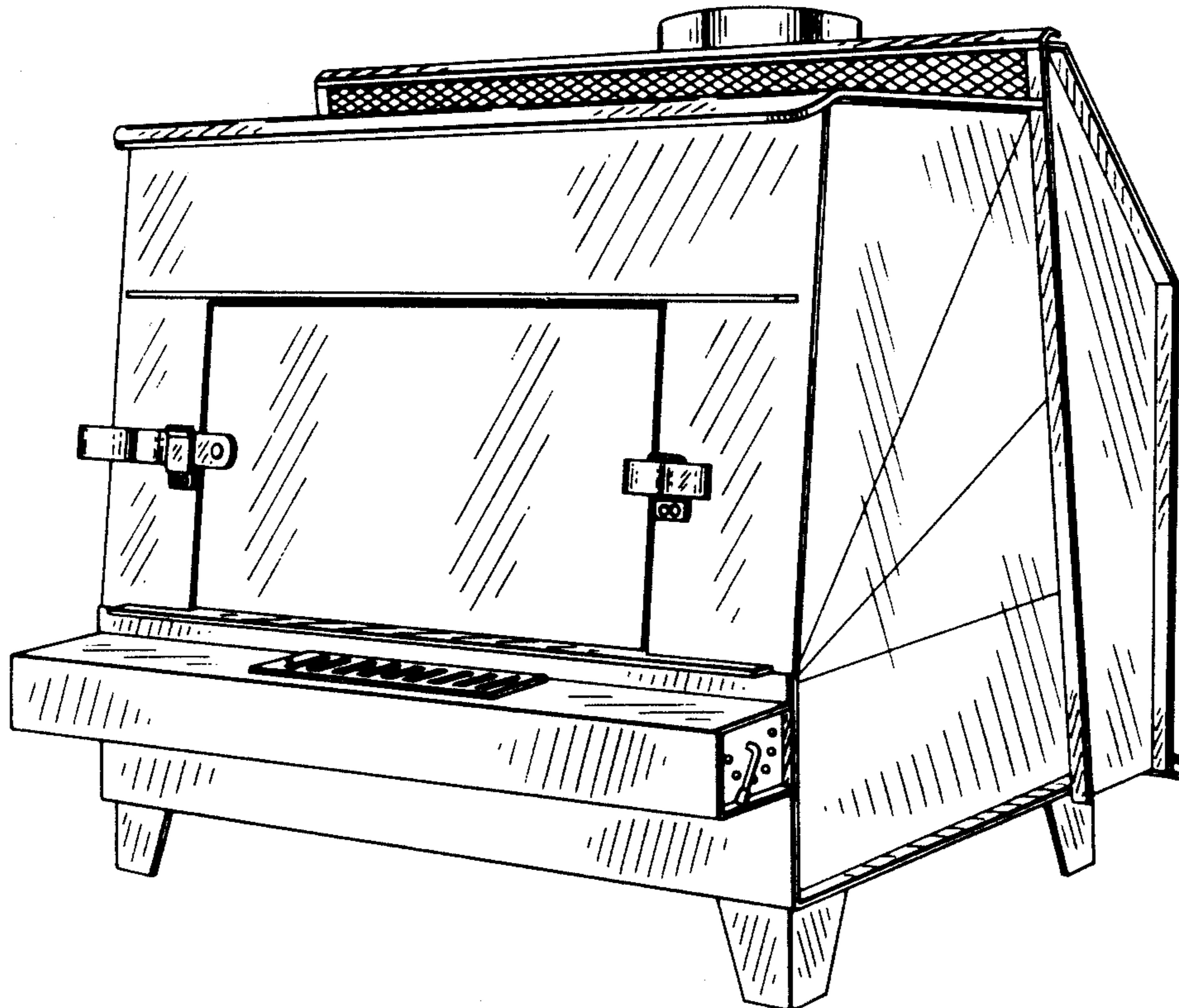
Primary Examiner—Wallace R. Burke  
Assistant Examiner—Catherine Kemper  
Attorney, Agent, or Firm—Francis L. Swanson

[57] CLAIM

The ornamental design for a free standing stove, as shown and described.

DESCRIPTION

FIG. 1 is a front perspective view of a free standing stove showing our new design;  
FIG. 2 is a rear perspective view thereof;  
FIG. 3 is a top plan view thereof;  
FIG. 4 is a front elevational view thereof;  
FIG. 5 is a right side elevational view, the left side being a mirror image thereof;  
FIG. 6 is a bottom plan view thereof.



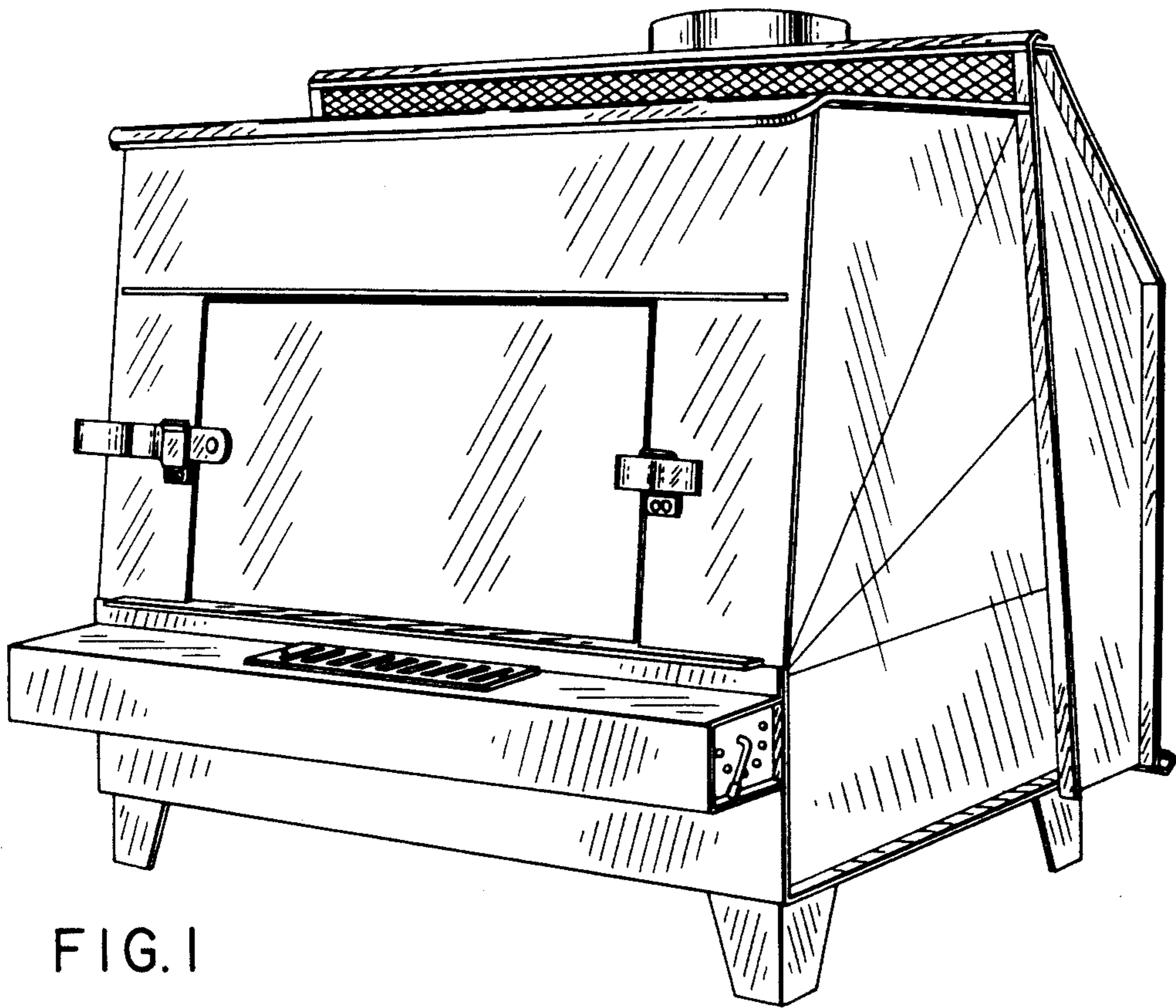


FIG. 1

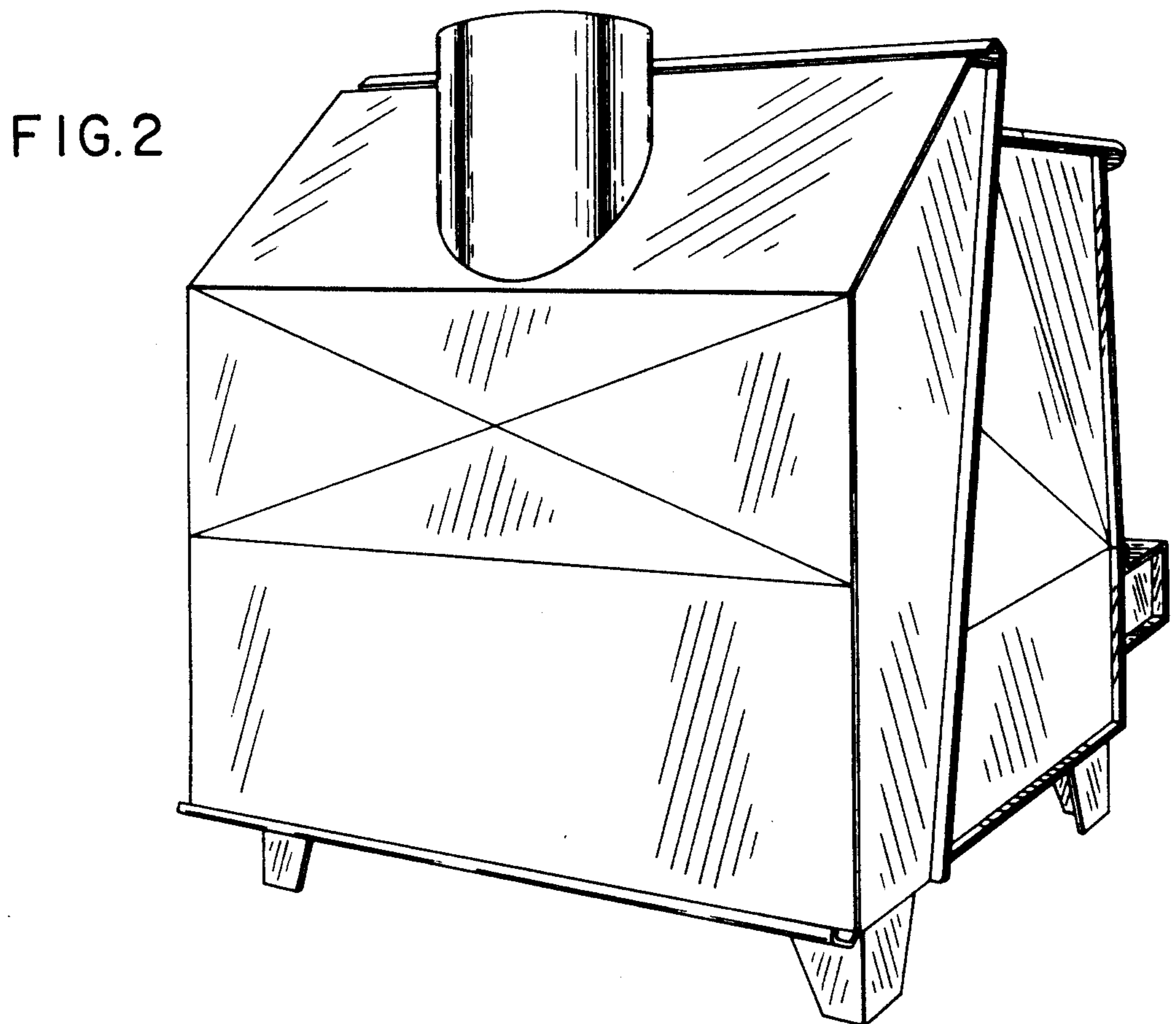


FIG. 2

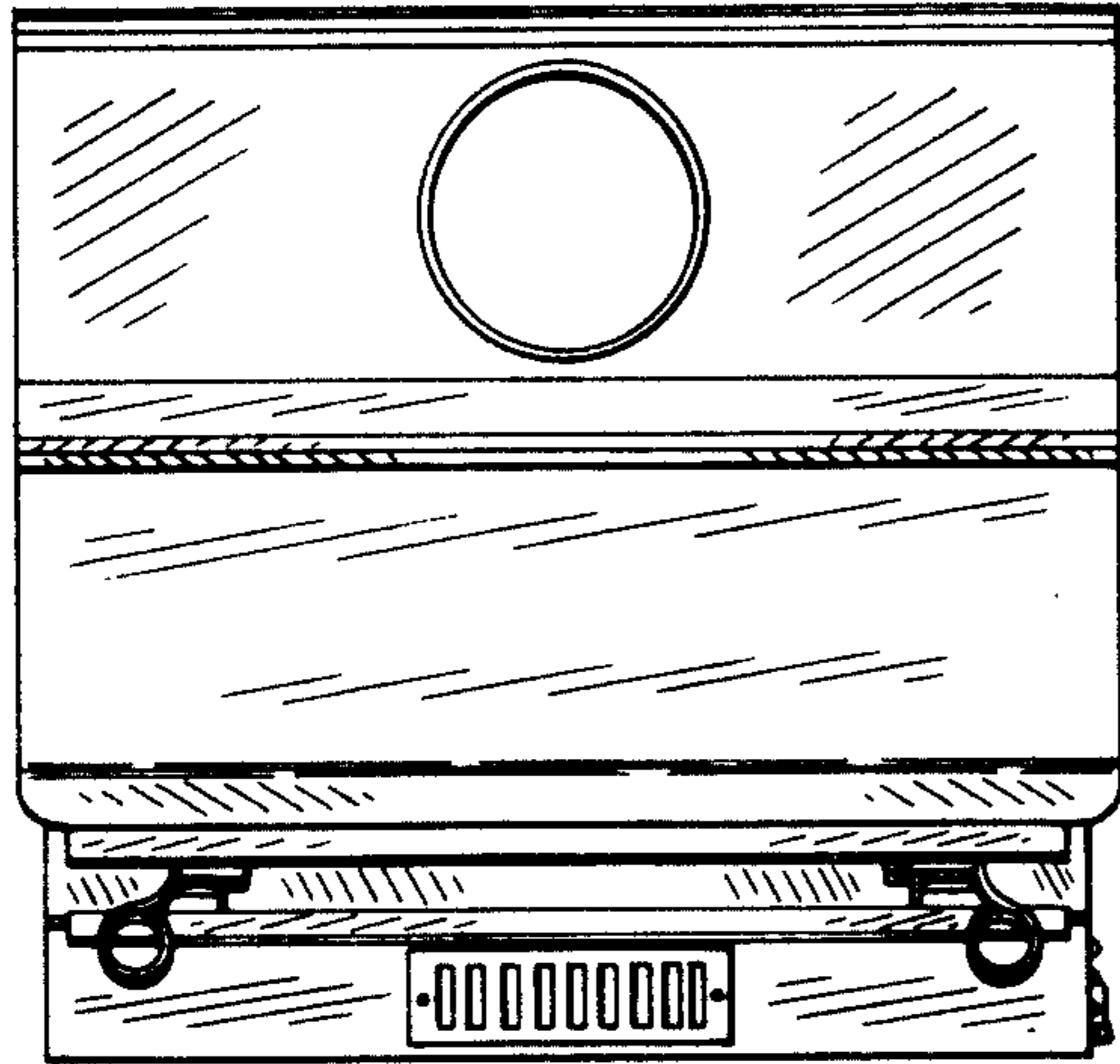


FIG. 3

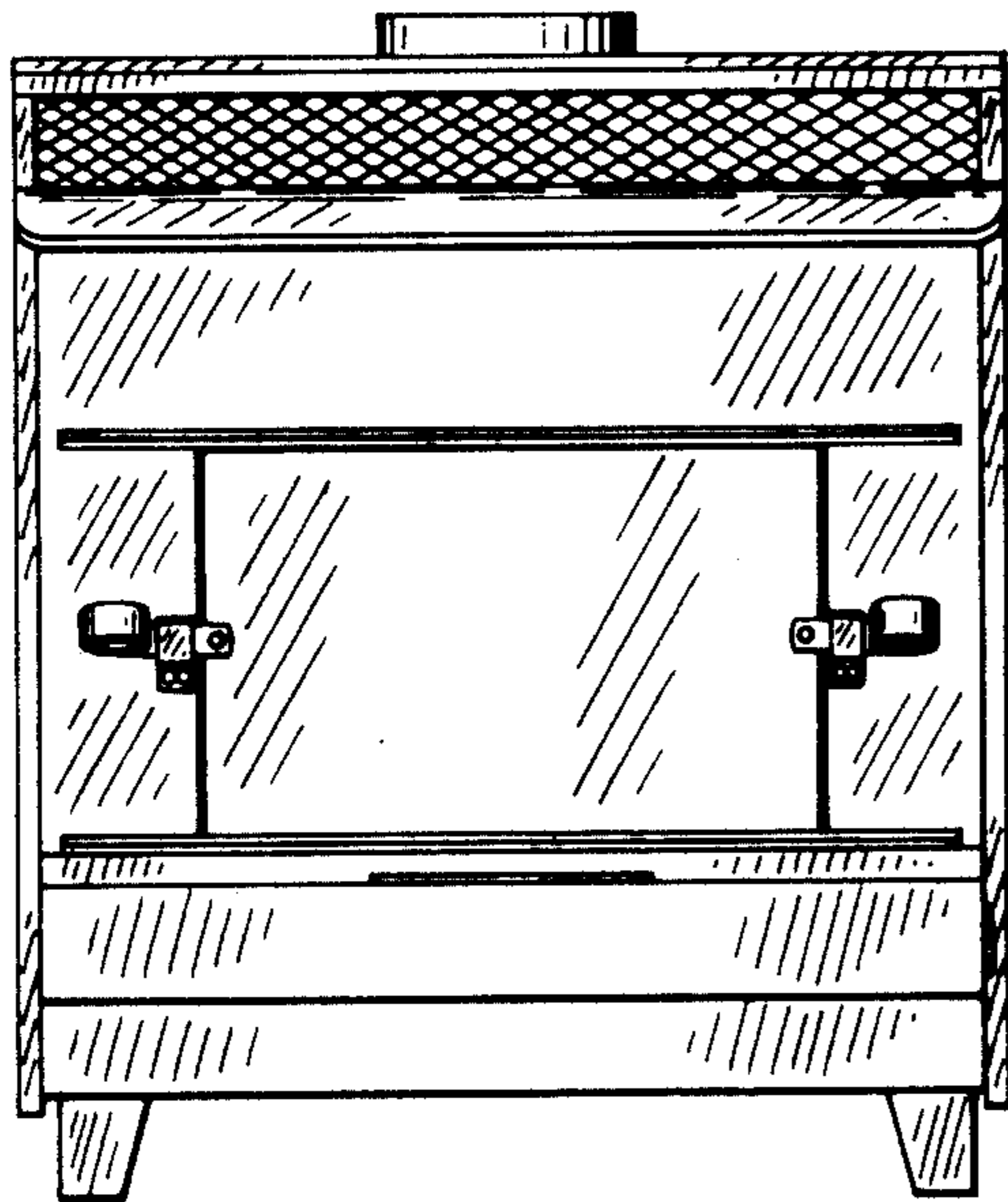


FIG. 4

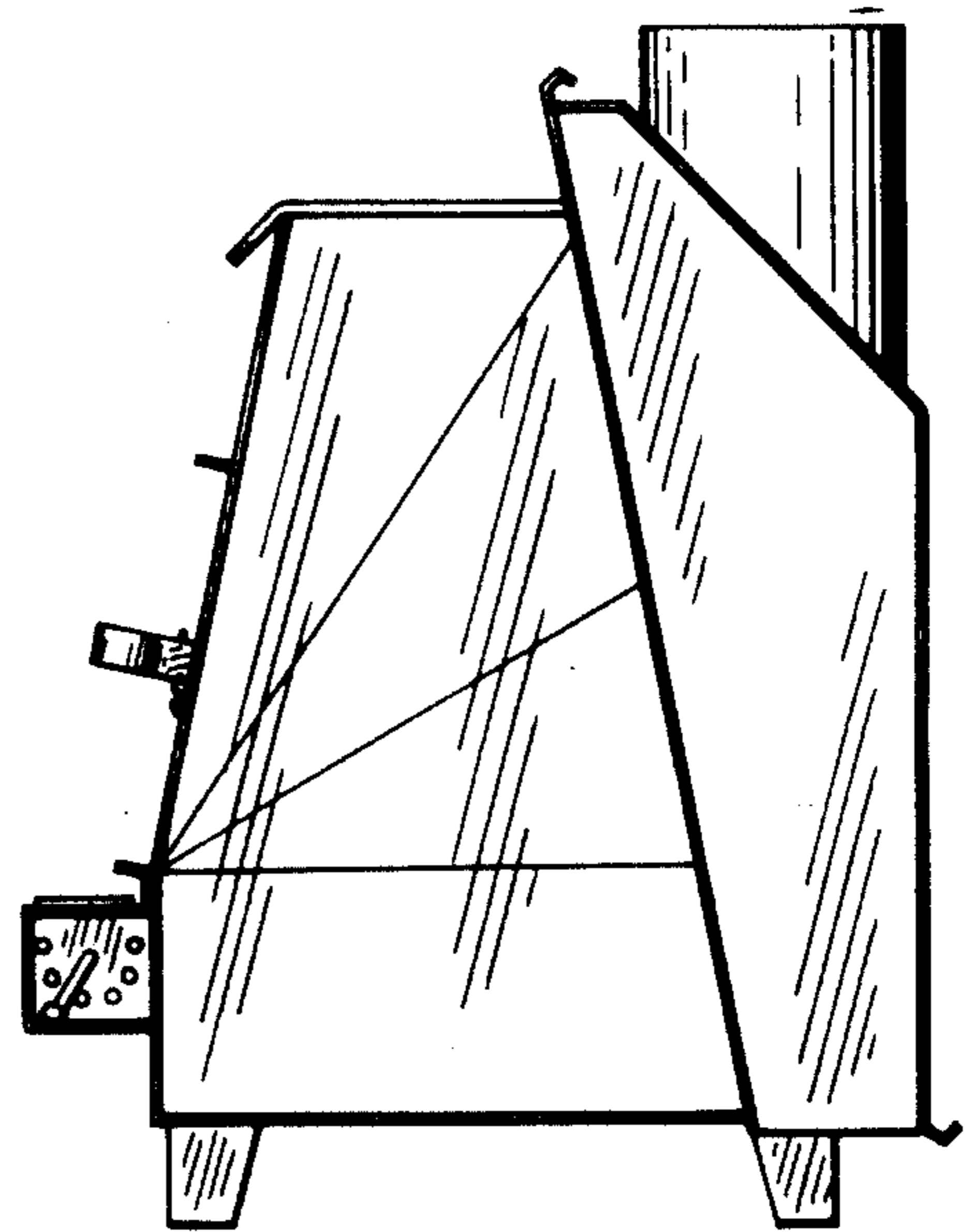


FIG. 5

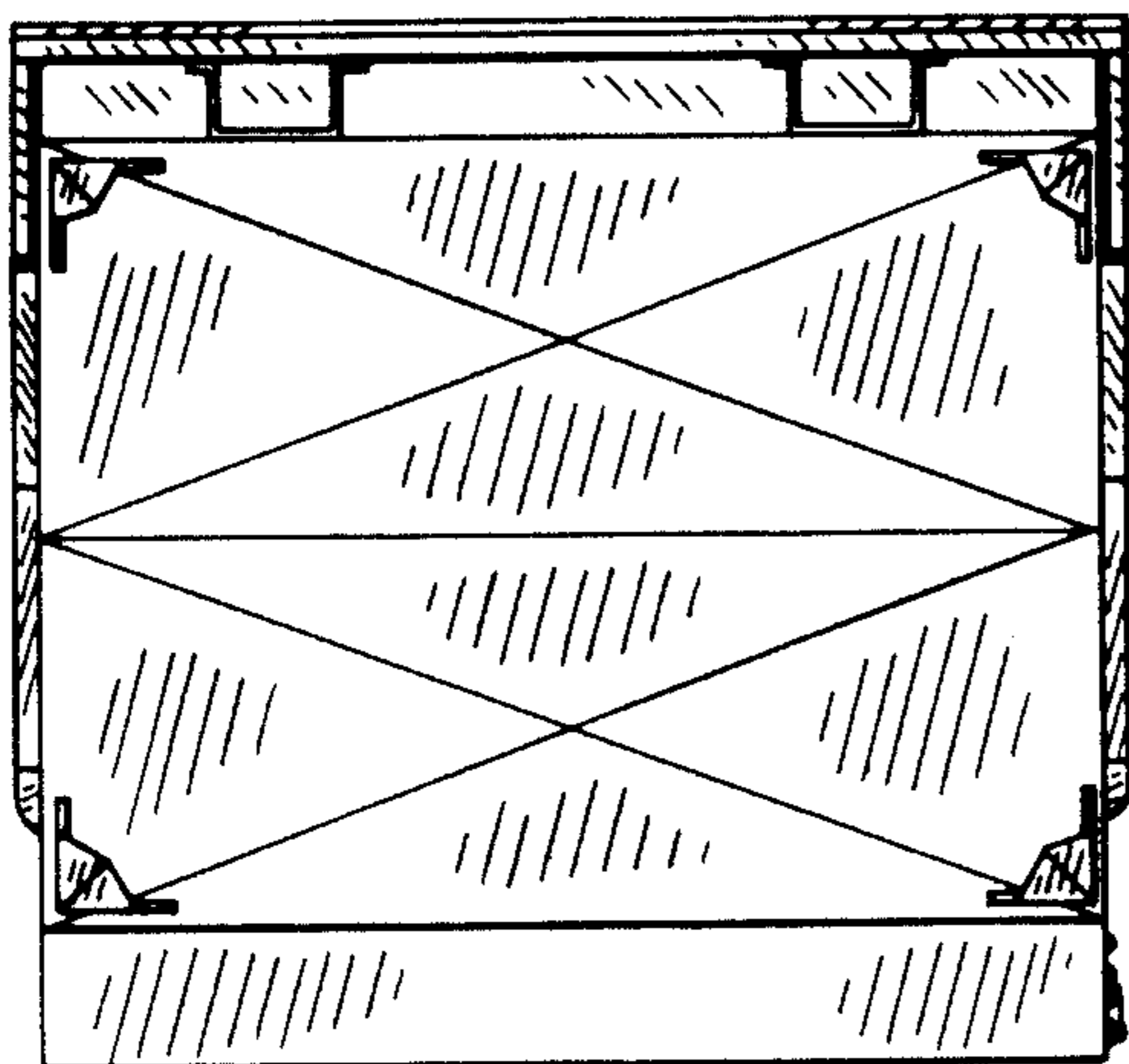


FIG. 6