

[54] GAUGE MOUNT SLIDE FOR TEST STAND

[76] Inventor: Richard C. Etchison, Rte. 6, Box 342, Anderson, Ind. 46011

[**] Term: 14 Years

[21] Appl. No.: 777,091

[22] Filed: Mar. 14, 1977

[51] Int. Cl. D10-07

[52] U.S. Cl. D10/83; D10/46; D10/103

[58] Field of Search D10/83, 46, 85, 102-103; 73/161; D8/373-375; 248/177, 187, 405, 406

[56] References Cited

U.S. PATENT DOCUMENTS

D. 244,905 7/1977 Wach D6/85
2,506,878 5/1950 Kraus 248/187

3,100,624 8/1963 Spiselman 248/406
3,566,101 2/1971 Hagner 248/177
3,665,758 5/1972 Tiller 73/161
3,808,885 5/1974 Carlson 73/161
3,834,228 9/1974 Wachholz 73/161

Primary Examiner—Nelson C. Holtje
Attorney, Agent, or Firm—Harold R. Woodard

[57] CLAIM

The ornamental design for a gauge mount slide for test stand, as shown and described.

DESCRIPTION

FIG. 1 is a bottom front perspective view of a gauge mount slide for test stand showing my new design; FIG. 2 is a top plan view thereof; FIG. 3 is a bottom plan view thereof; FIG. 4 is a front elevational view thereof; FIG. 5 is a right side elevational view thereof, the left side being a mirror image thereto.

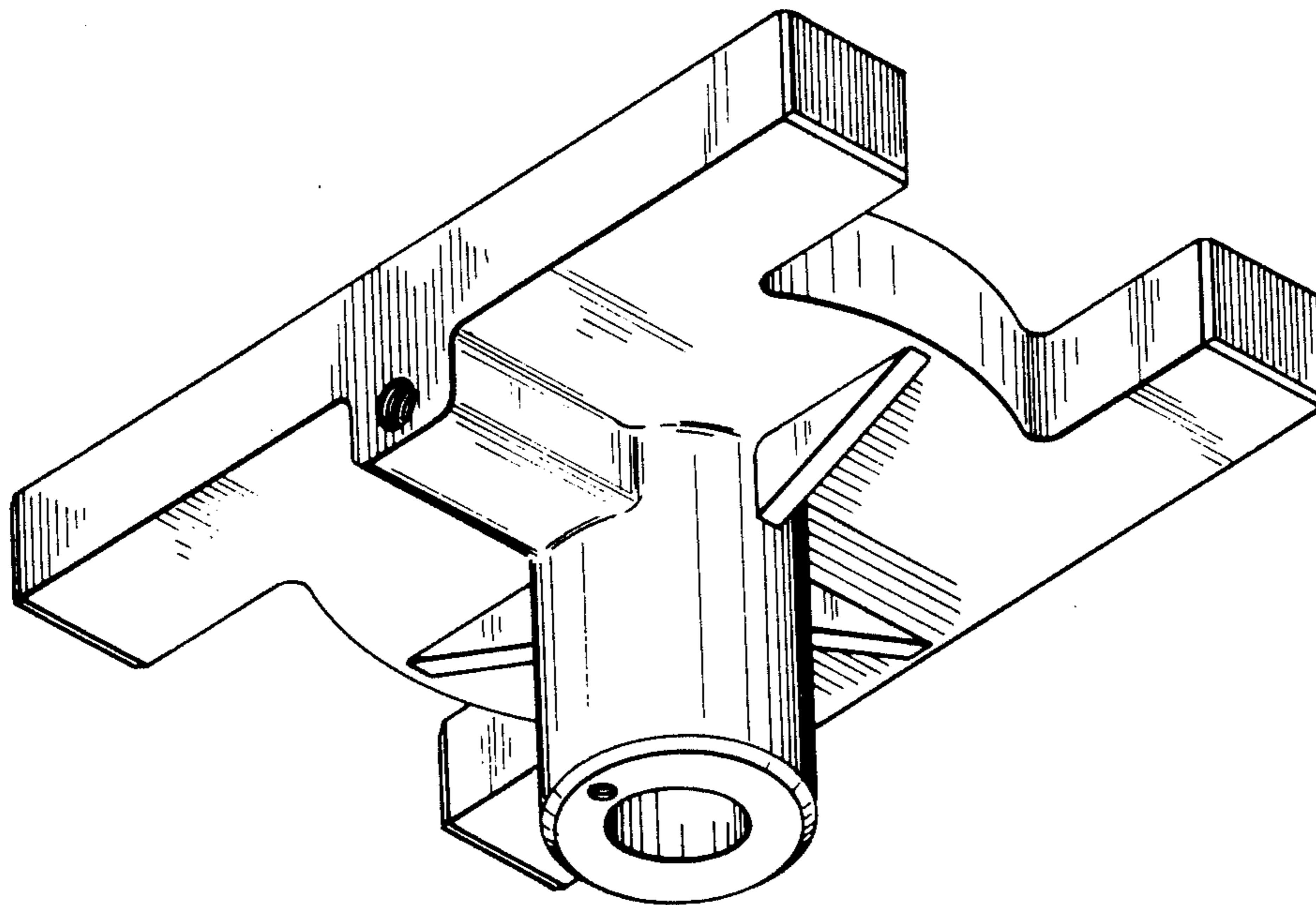


Fig. 1

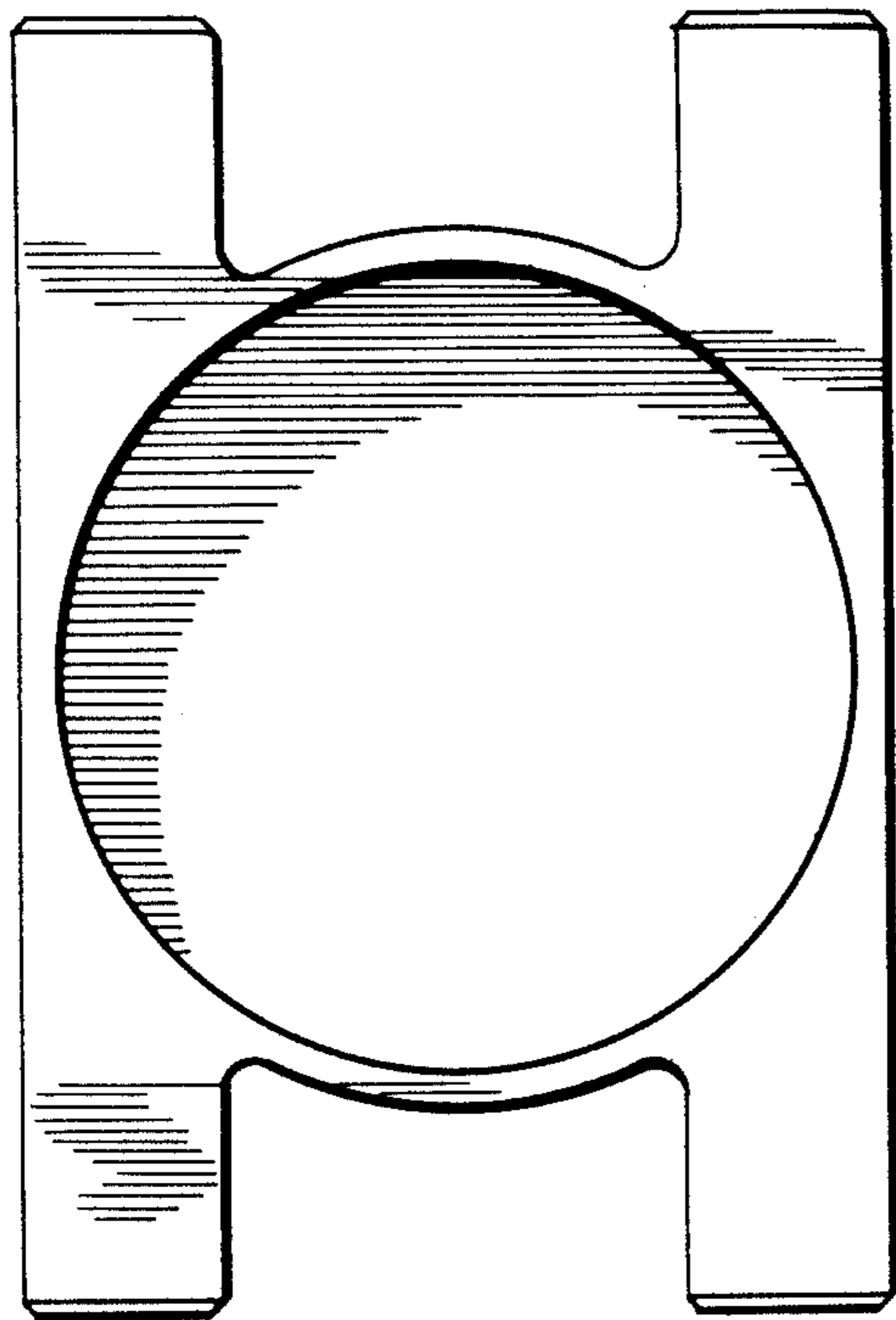
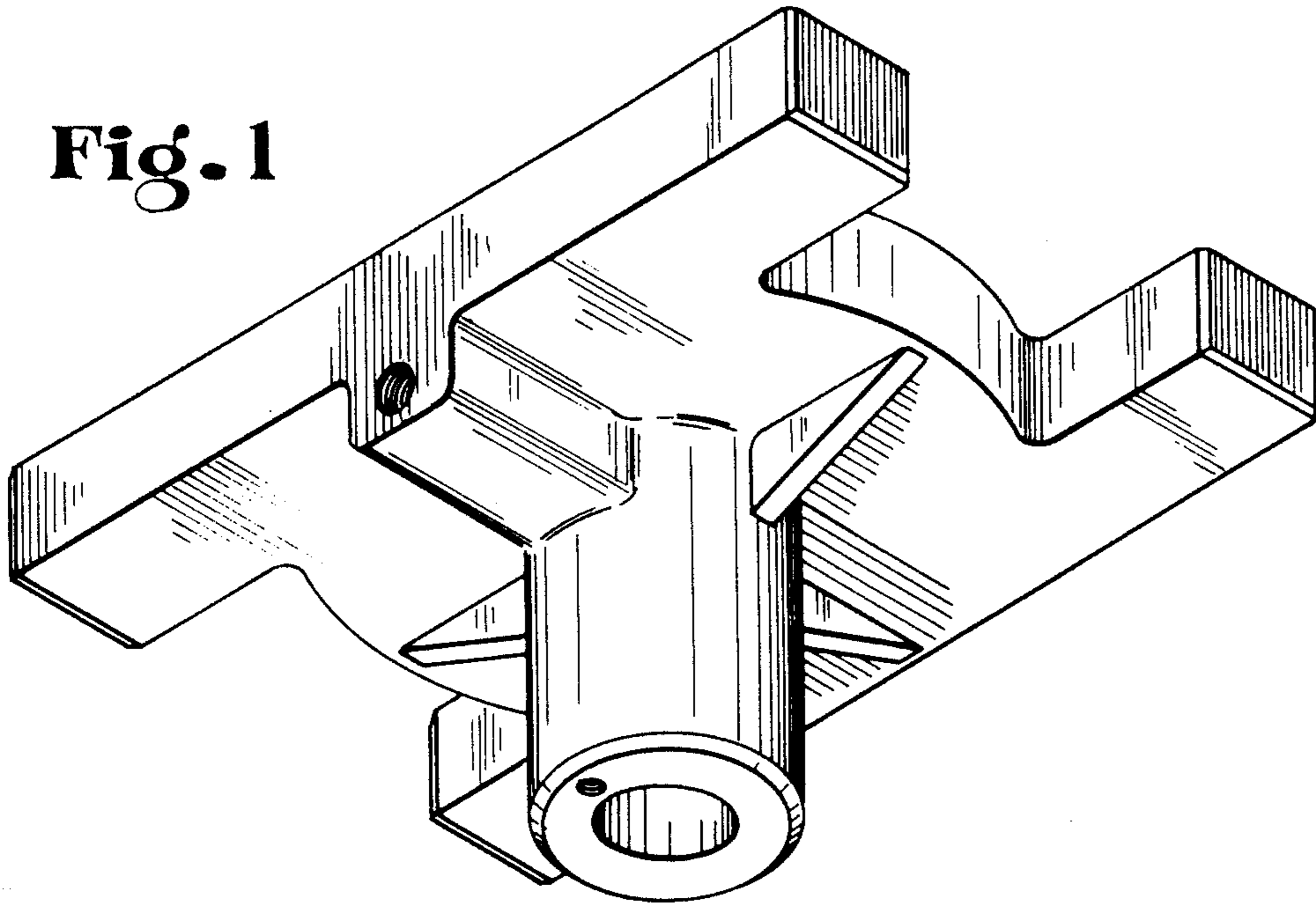


Fig. 2

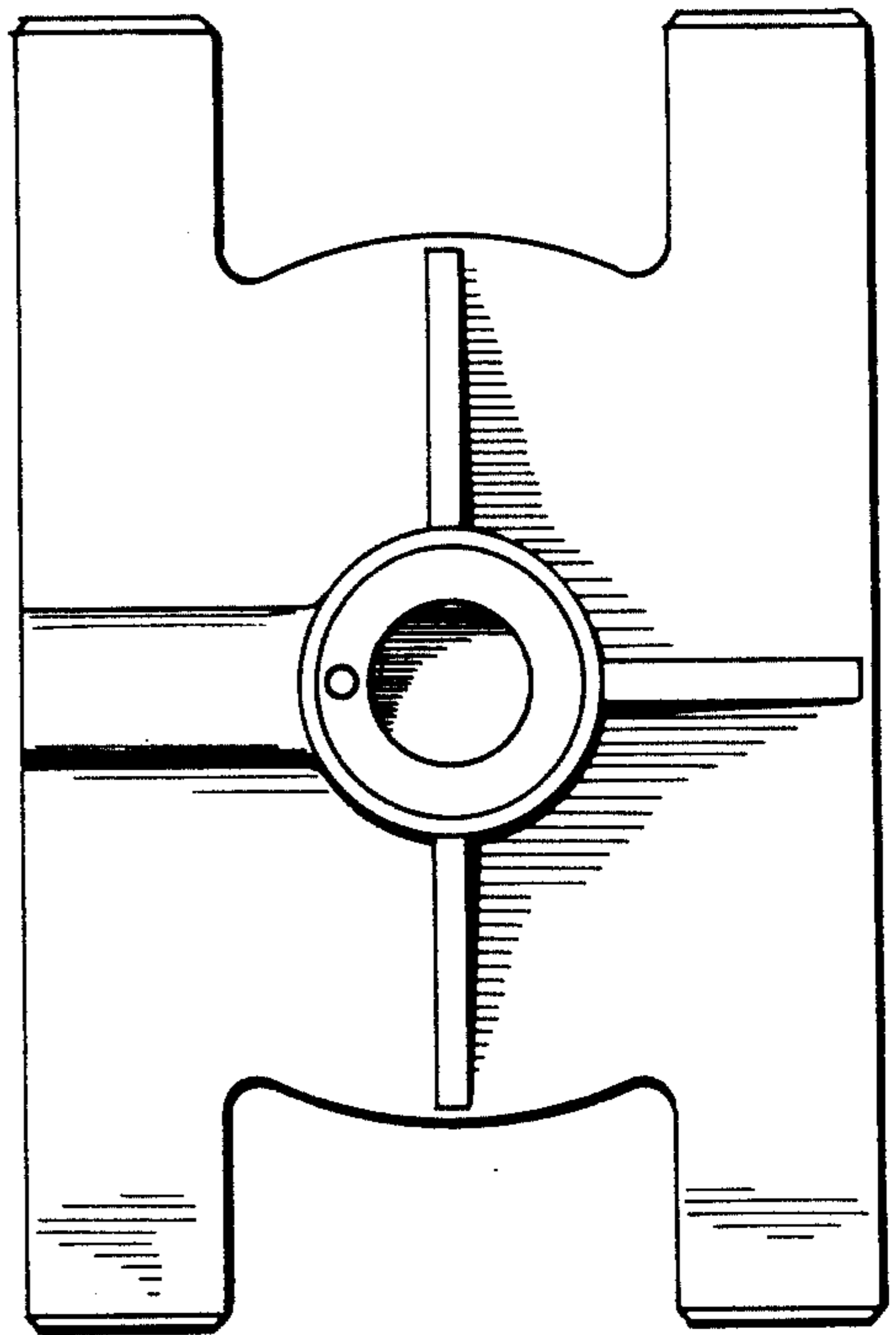


Fig. 3

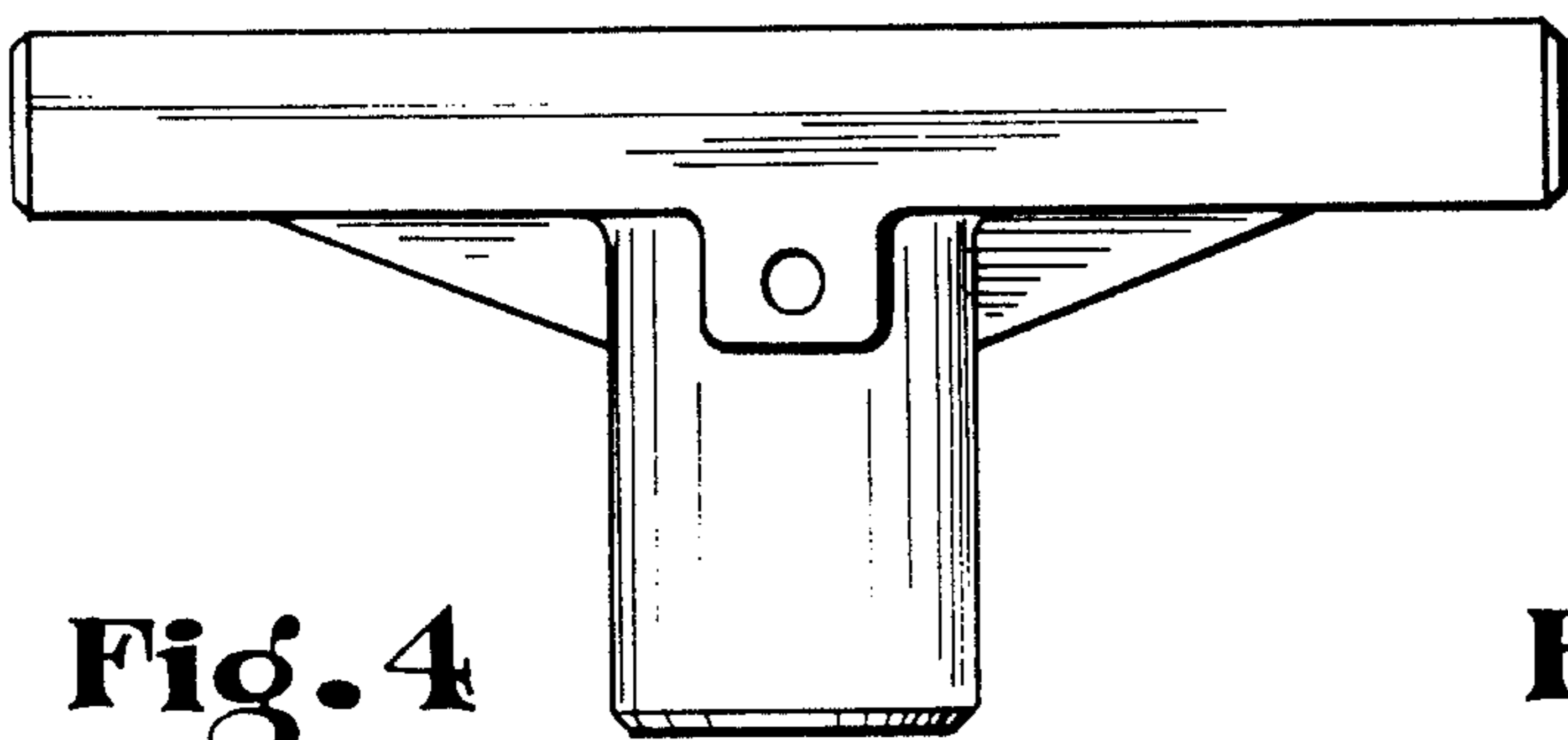


Fig. 4

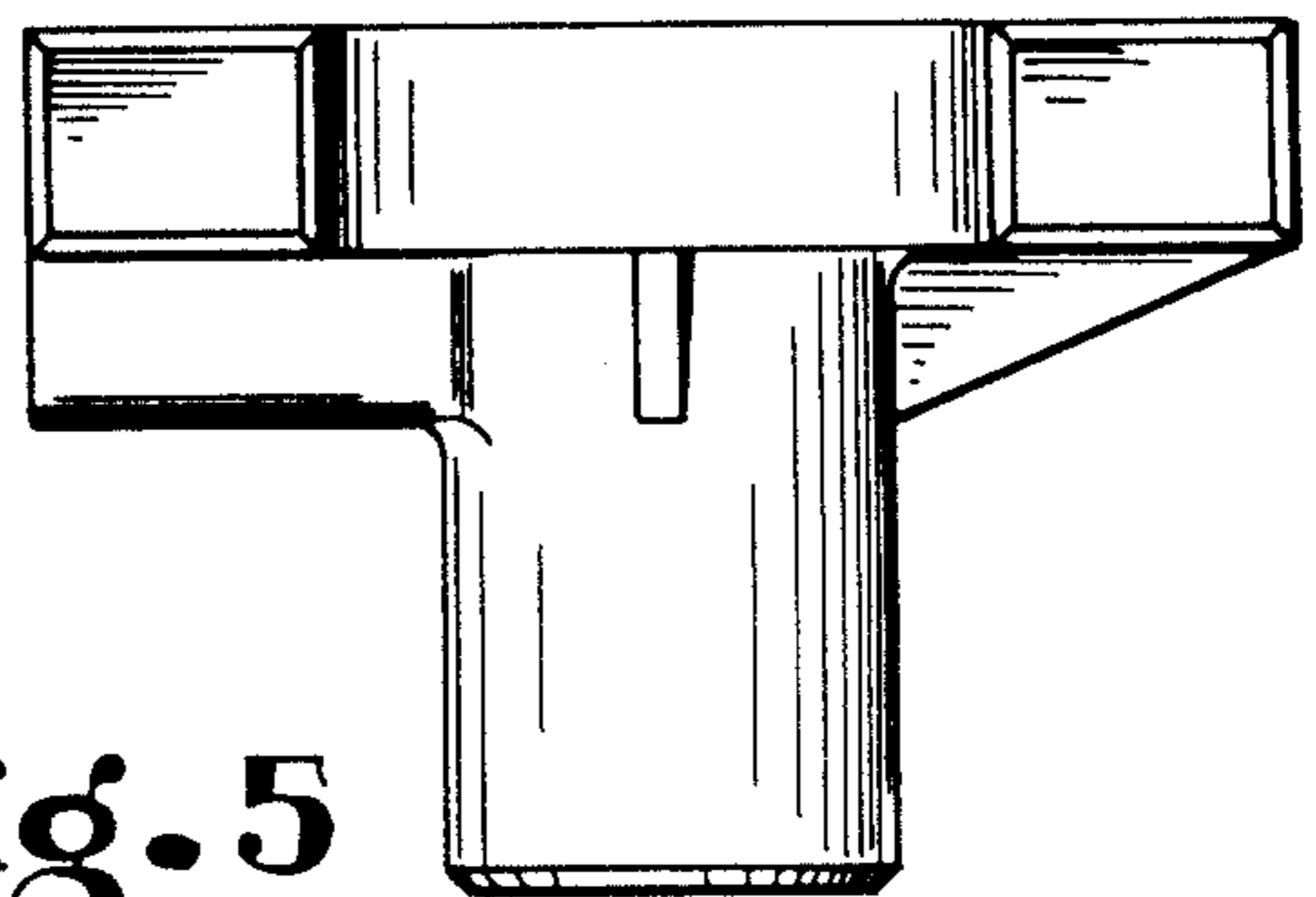


Fig. 5