

[54] **OPENING TOOL FOR TEAR-OPEN-TYPE CONTAINERS**

[75] Inventor: **Albert F. Bujan, Waukegan, Ill.**

[73] Assignee: **Abbott Laboratories, North Chicago, Ill.**

[**] Term: **14 Years**

[21] Appl. No.: **709,759**

[22] Filed: **Jul. 29, 1976**

[51] Int. Cl. **D7-99; D7-06**

[52] U.S. Cl. **D8/40**

[58] Field of Search **81/3.34, 3.37, 3.4, 81/3.46 R, 3.46 A, 3.47, 3.48; 7/14.25, 14.2 A; D8/18, 16, 17, 33, 40, 43, 41**

[56] **References Cited**

U.S. PATENT DOCUMENTS

D. 5,017 6/1871 Cook D8/17

| | | | |
|------------|---------|----------------|-------------|
| D. 240,188 | 6/1976 | Lytle | D8/40 X |
| 1,520,670 | 12/1924 | Appel | 81/3.46 R X |
| 1,676,648 | 7/1928 | Hardiman | D8/18 X |
| 3,142,903 | 8/1964 | Stiller | 7/14.25 X |
| 3,954,030 | 5/1976 | Newton | 81/3.46 R |

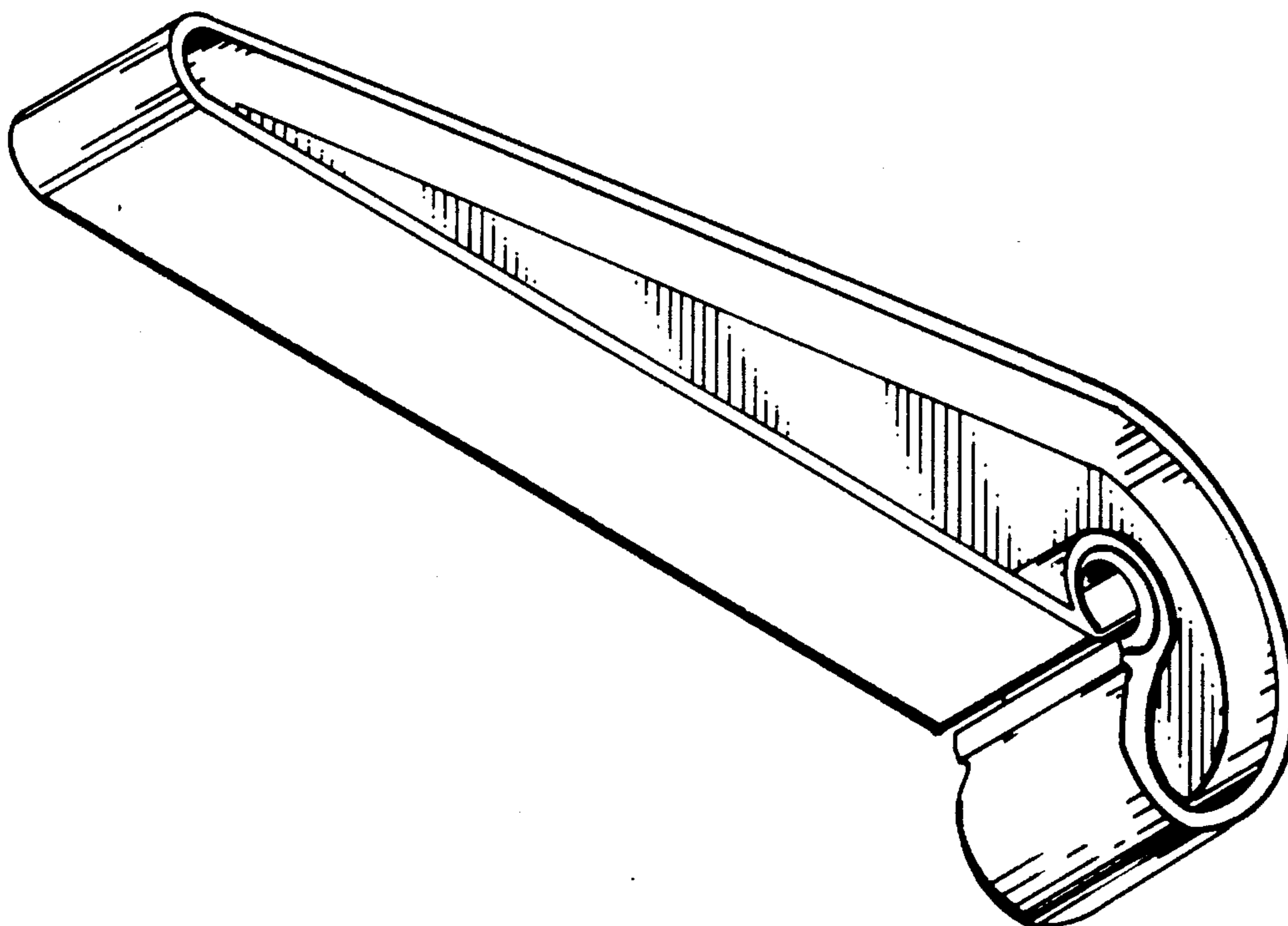
Primary Examiner—Winifred E. Herrmann
Attorney, Agent, or Firm—Neil E. Hamilton

[57] **CLAIM**

The ornamental design for an opening tool for tear-open-type containers, substantially as shown and described.

DESCRIPTION

FIG. 1 is a bottom perspective view of the opening tool; FIG. 2 is an elevational view of the side opposite that shown in FIG. 1; FIG. 3 is a bottom plan view thereof; FIG. 4 is a top plan view thereof; FIG. 5 is an end view taken along line 5-5 of FIG. 2; and FIG. 6 is an end view taken along line 6-6 of FIG. 2.



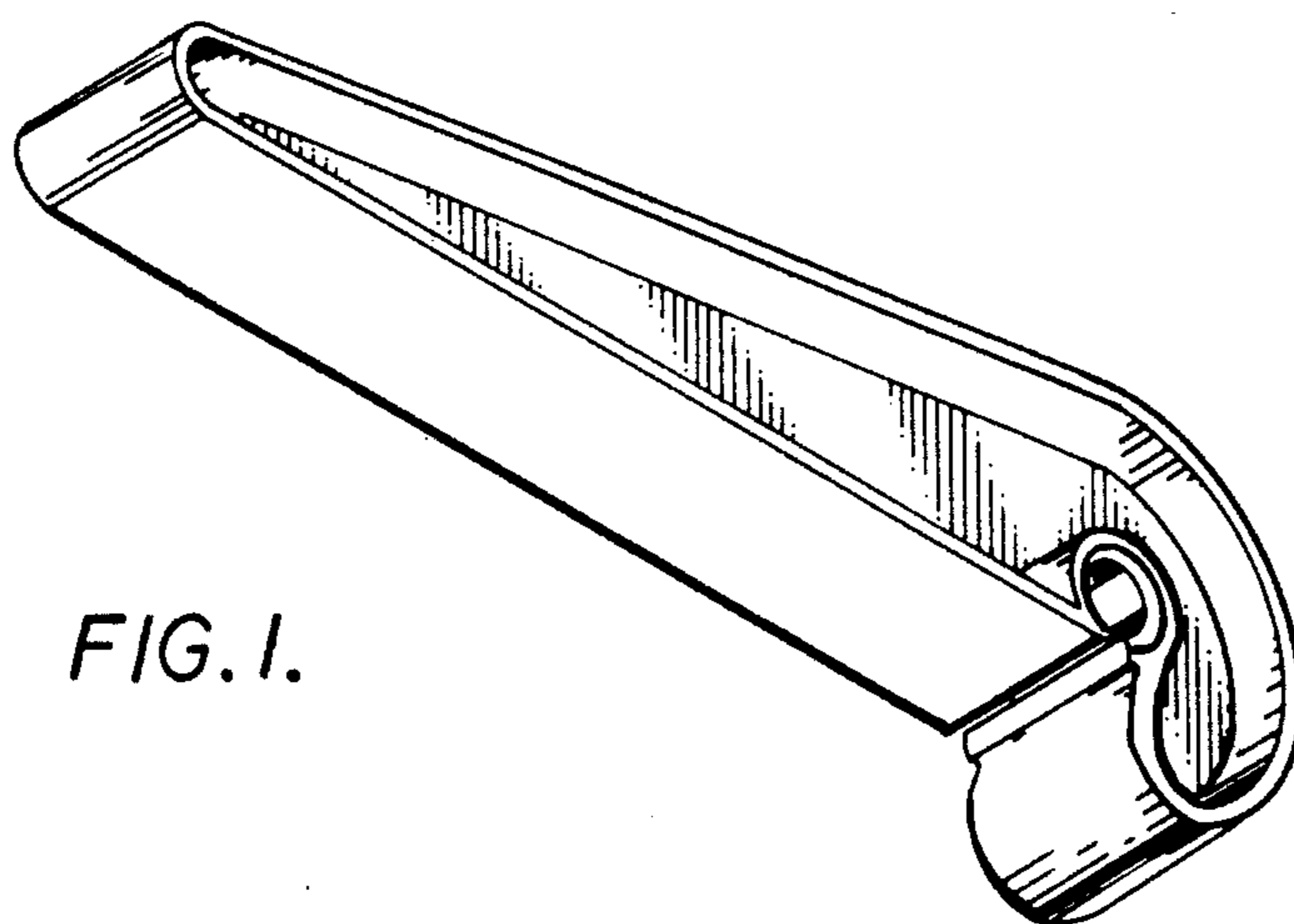


FIG. 1.

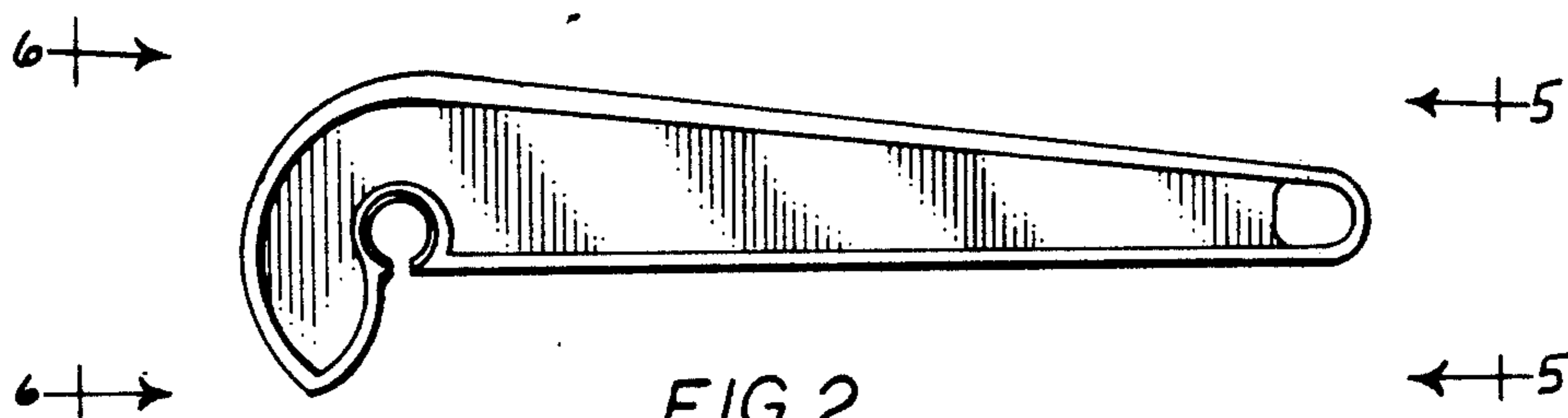


FIG. 2.

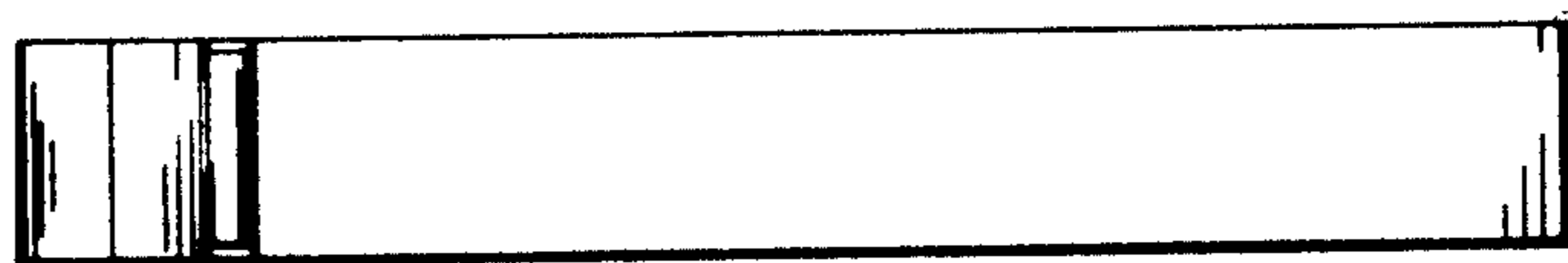


FIG. 3.

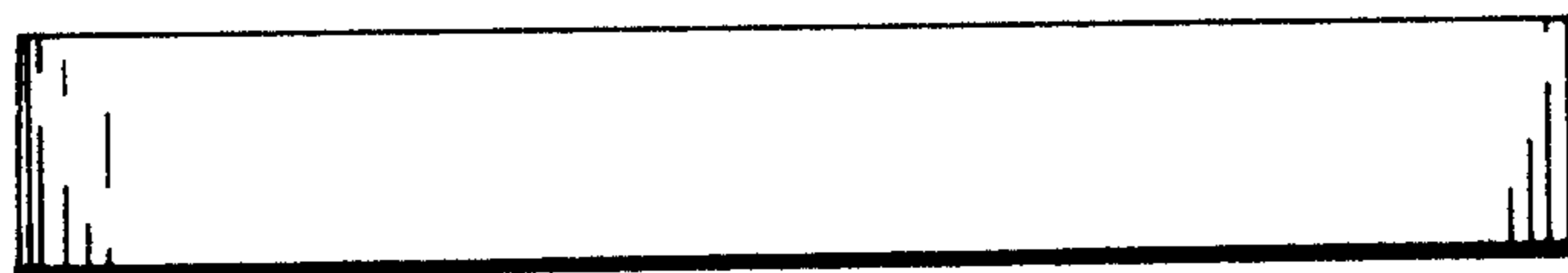


FIG. 4.



FIG. 5.

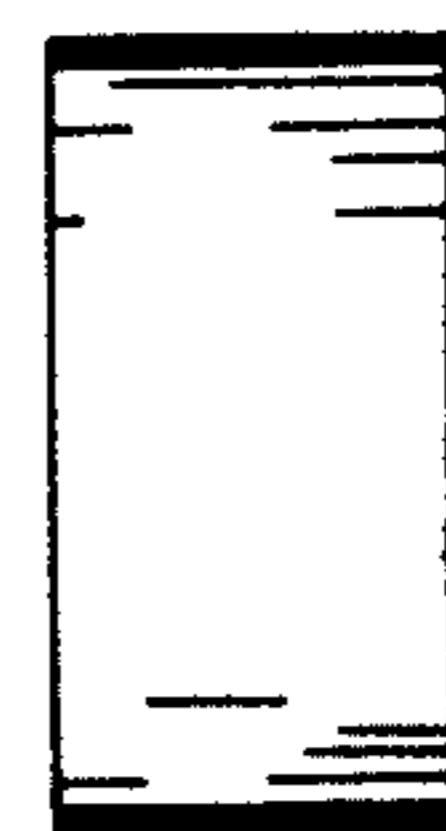


FIG. 6.