

[54] **FURNITURE SUBFRAME**

[75] **Inventor:** William M. Colatriano, Wilmington, Del.

[73] **Assignee:** Hercules Incorporated, Wilmington, Del.

[**] **Term:** 14 Years

[21] **Appl. No.:** 793,695

[22] **Filed:** May 4, 1977

[51] **Int. Cl.** D6-06
[52] **U.S. Cl.** D6/195
[58] **Field of Search** D6/192, 191, 194, 195,
D6/67-78, 193

[56] **References Cited**

U.S. PATENT DOCUMENTS

D. 238,995 3/1976 Curtis et al. D6/195
D. 240,787 8/1976 Bohan et al. D6/195
D. 245,304 8/1977 Bohan D6/195

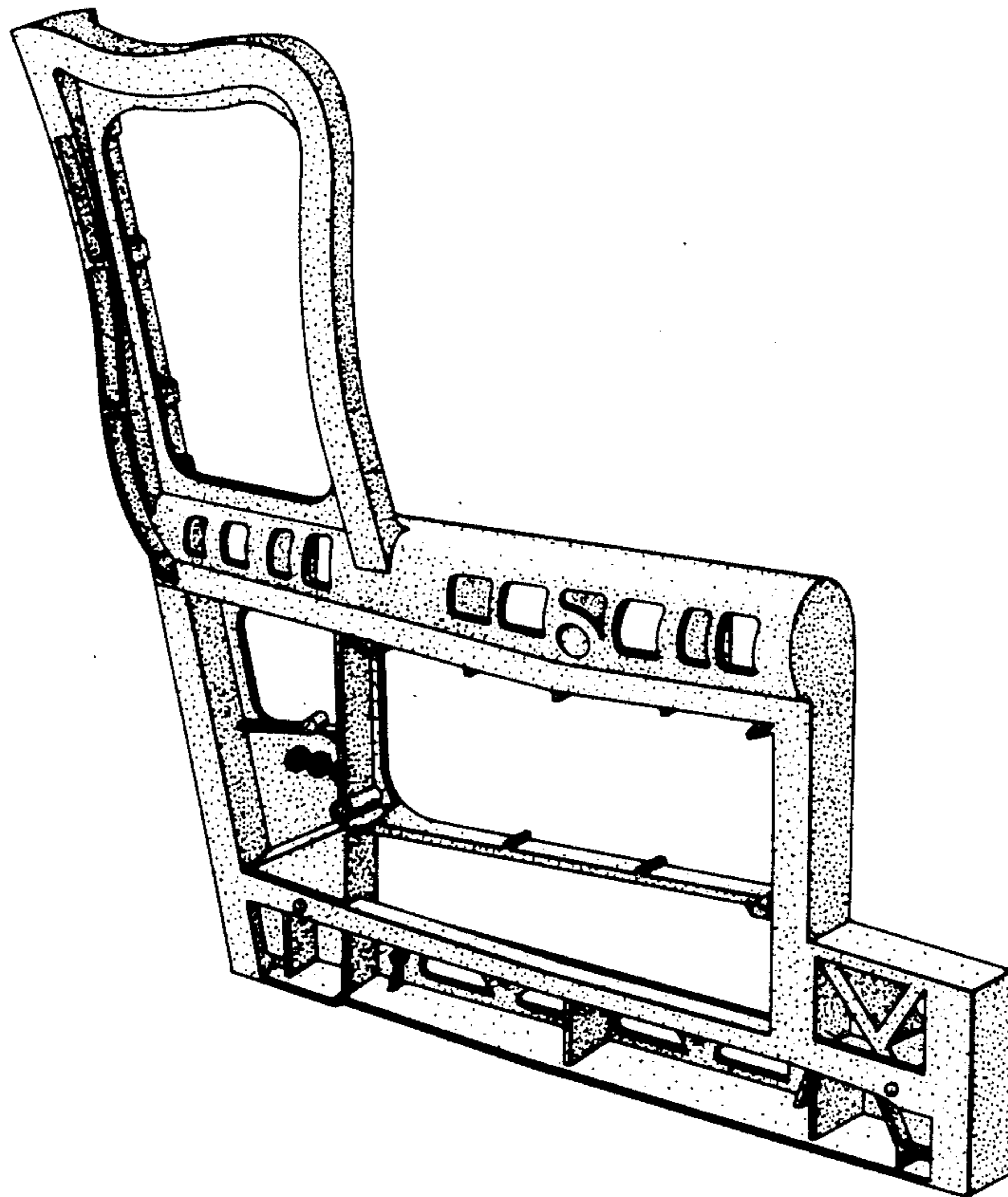
Primary Examiner—Bruce W. Dunkins
Attorney, Agent, or Firm—James W. Peterson

[57] **CLAIM**

The ornamental design for a furniture subframe, as shown.

DESCRIPTION

FIG. 1 is an outside perspective view of the furniture subframe.
FIG. 2 is an inside perspective view of the furniture subframe.



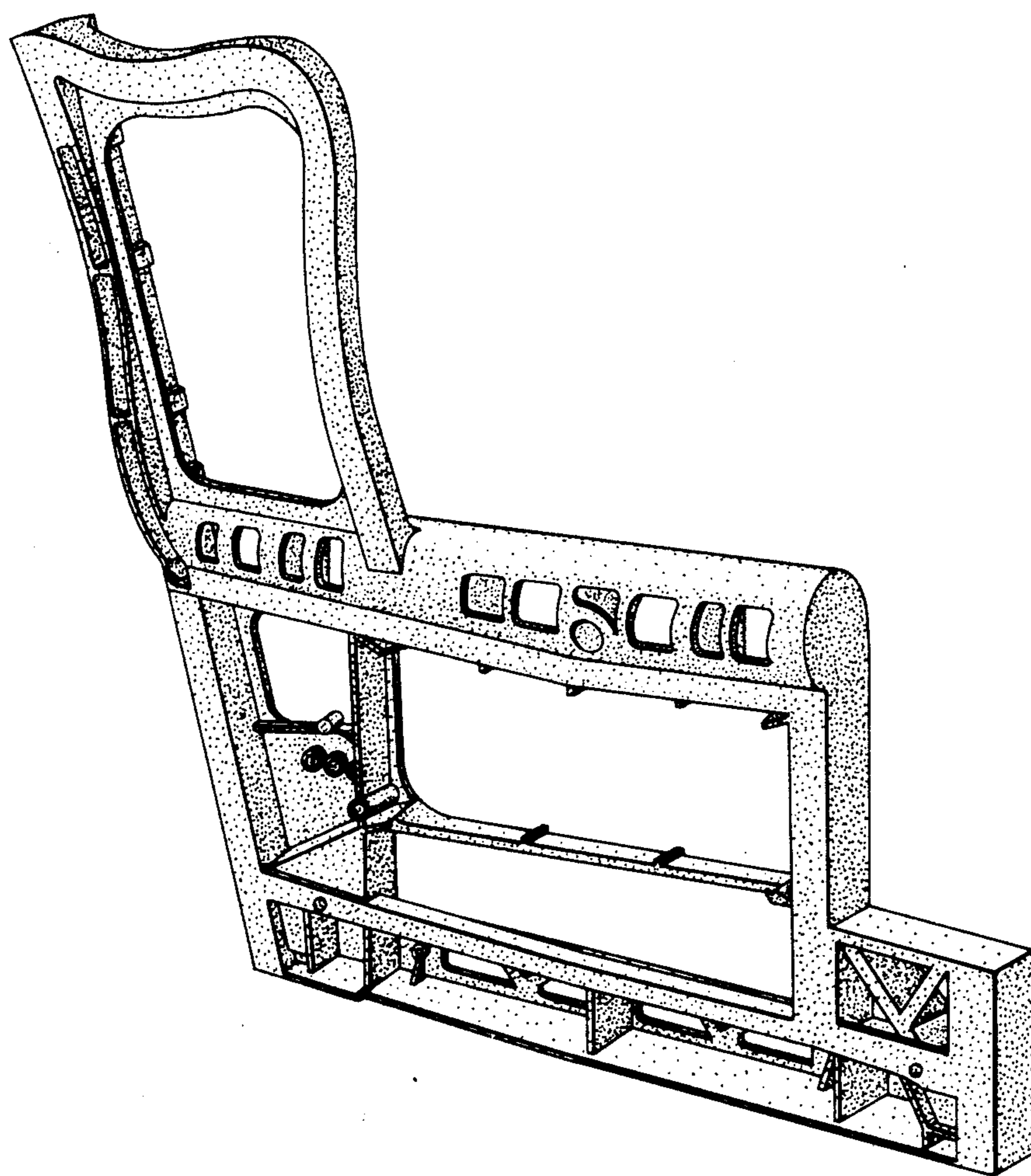


FIG. 1

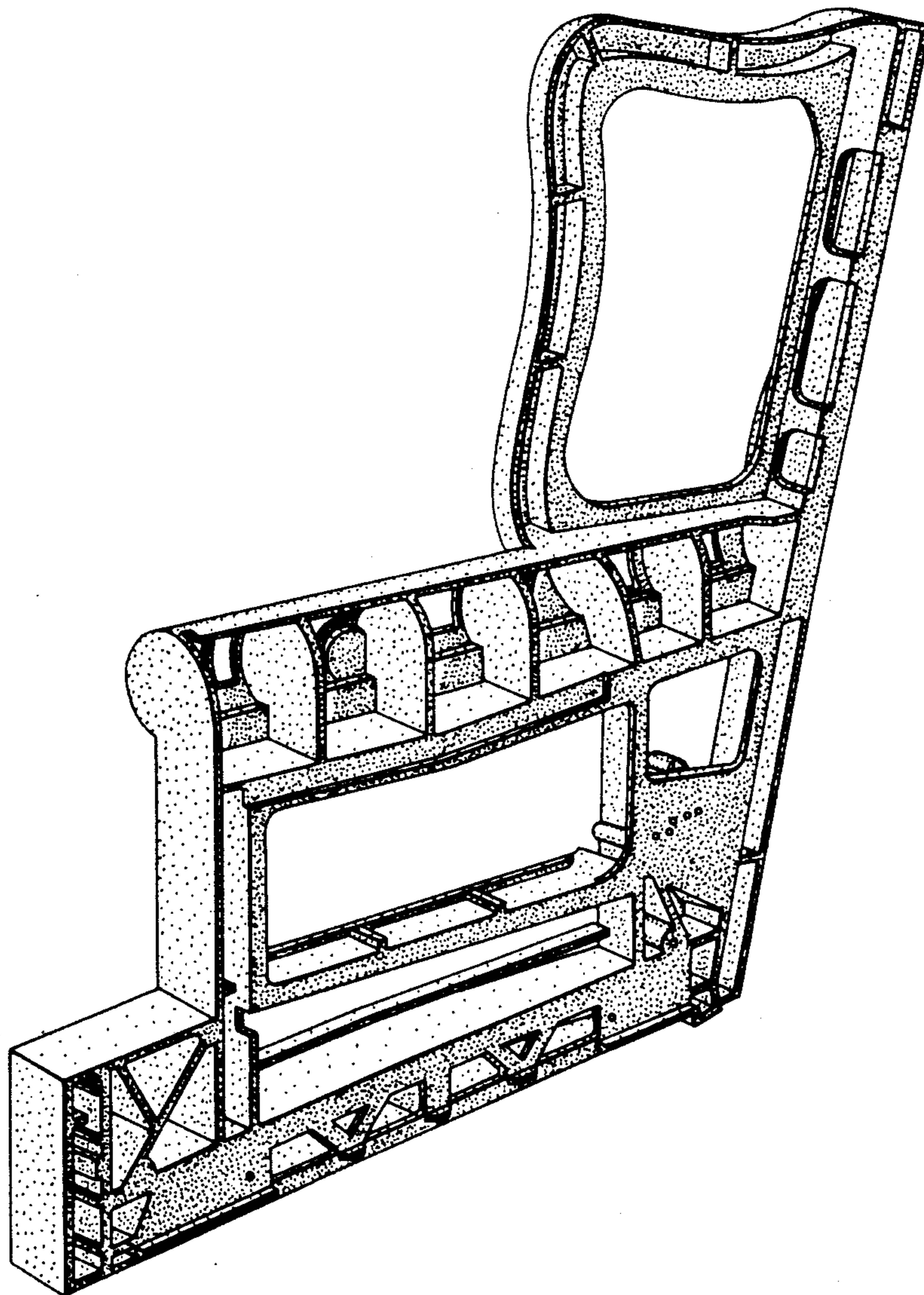


FIG. 2