

[54] FURNITURE SUBFRAME

[75] Inventor: David C. Trimble, Yorklyn, Del.

[73] Assignee: Hercules Incorporated, Wilmington, Del.

[**] Term: 14 Years

[21] Appl. No.: 786,901

[22] Filed: Apr. 12, 1977

[51] Int. Cl. D6-06

[52] U.S. Cl. D6/195

[58] Field of Search D6/191, 192, 193, 194, D6/195, 67-78

[56] References Cited

U.S. PATENT DOCUMENTS

D. 238,995	3/1976	Curtis et al.	D6/195
D. 240,787	8/1976	Bohan et al.	D6/195
D. 245,304	8/1977	Bohan	D6/195

Primary Examiner—Bruce W. Dunkins
Attorney, Agent, or Firm—James W. Peterson

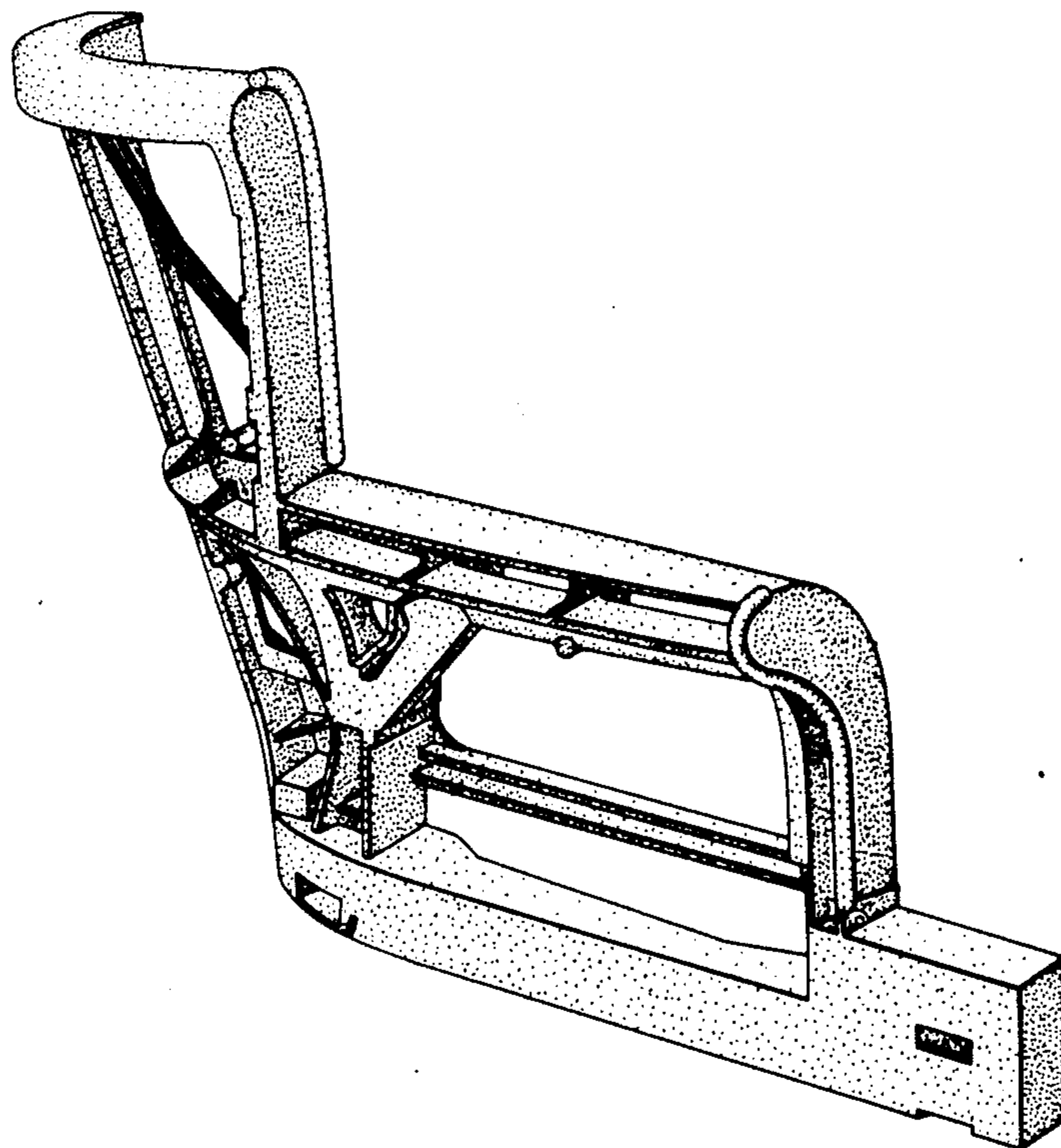
[57] CLAIM

The ornamental design for a furniture subframe, as shown.

DESCRIPTION

FIG. 1 is an outside perspective view of the furniture subframe.

FIG. 2 is an inside perspective view of the furniture subframe.



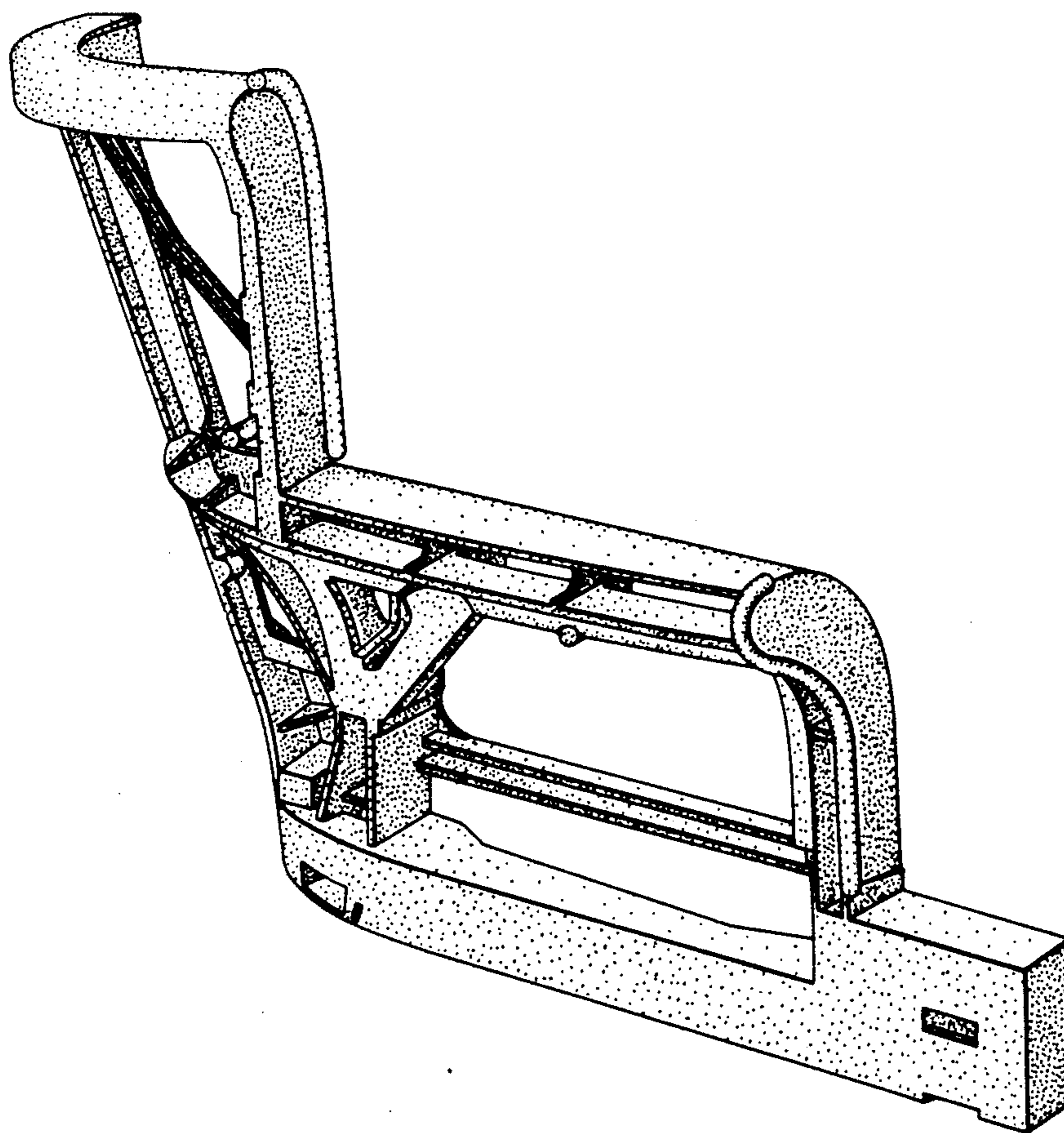


FIG. 1

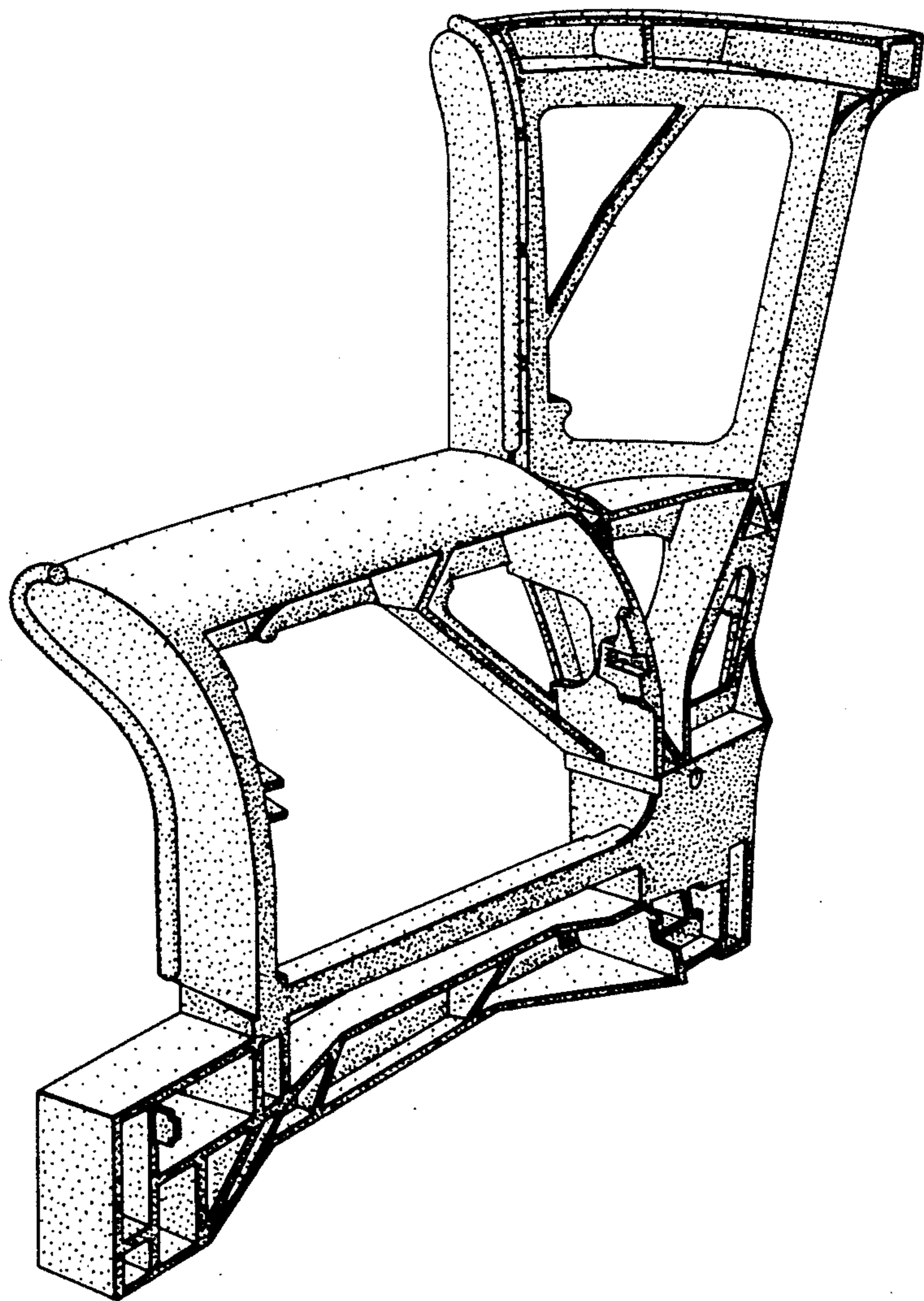


FIG. 2