

[54] HEAD SEAL FOR AN ANTI-DUST HELMET

[76] Inventors: **Raymond Odell**, 184 Mutton La., Potters Bar, Herts.; **Brian A. Lowe**, 6 Beaumont View, Appleby St., Cheshunt, Herts., both of England

[\*\*] Term: **14 Years**

[21] Appl. No.: **757,562**

[22] Filed: **Jan. 7, 1977**

[30] Foreign Application Priority Data

Aug. 8, 1976 [GB] United Kingdom ..... 976849/76

[51] Int. Cl. .... **D2-03**

[52] U.S. Cl. .... **D2/233**

[58] Field of Search ..... **D2/232, 231, 233; 2/10, 2/424**

[56] References Cited

U.S. PATENT DOCUMENTS

2,641,768	6/1953	Pipher .....	D2/232
3,241,155	3/1966	Phillips .....	D2/233
3,774,239	11/1973	Kotzar .....	2/10

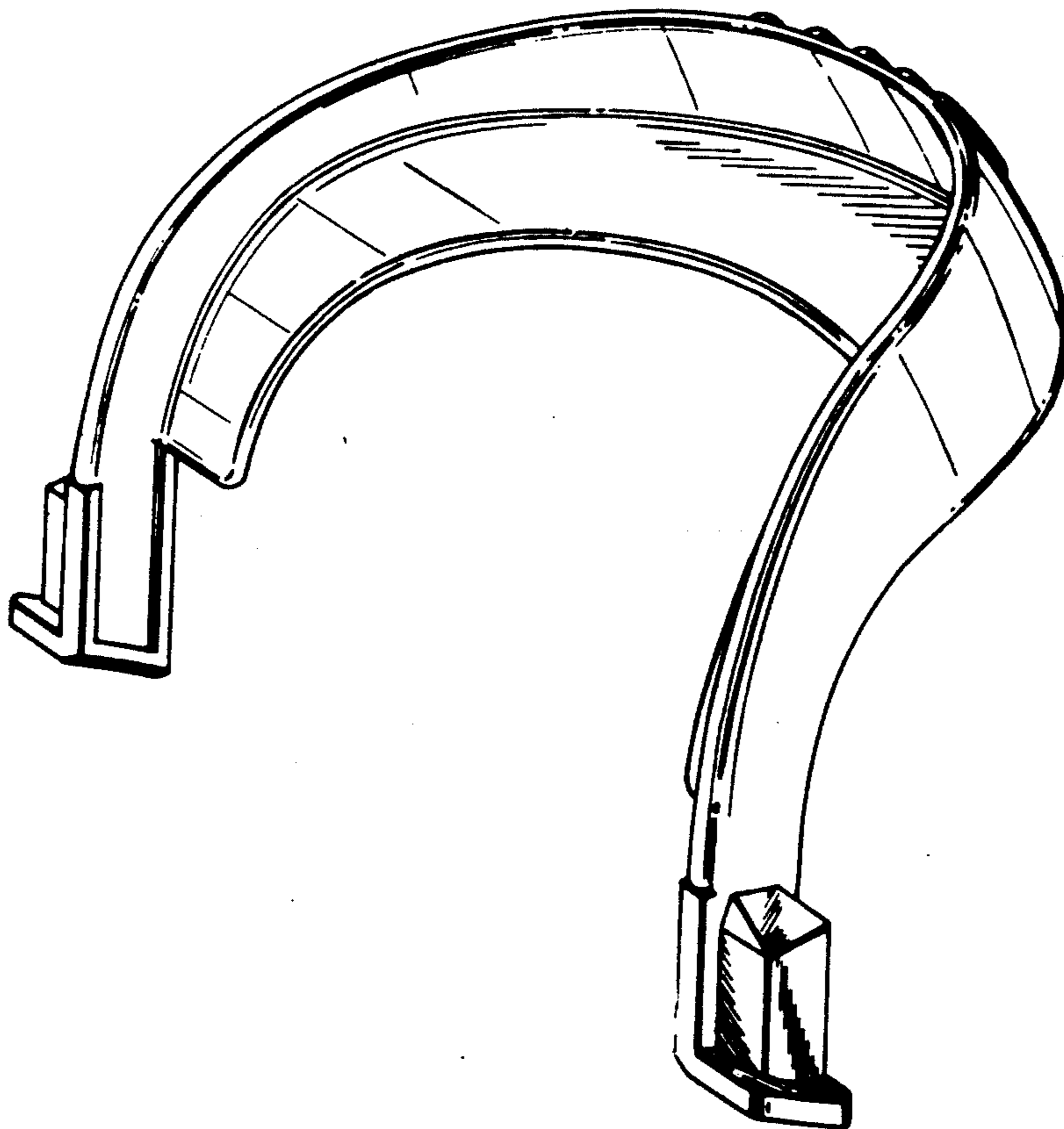
*Primary Examiner*—Melvin B. Feifer  
*Attorney, Agent, or Firm*—Lawrence E. Laubscher

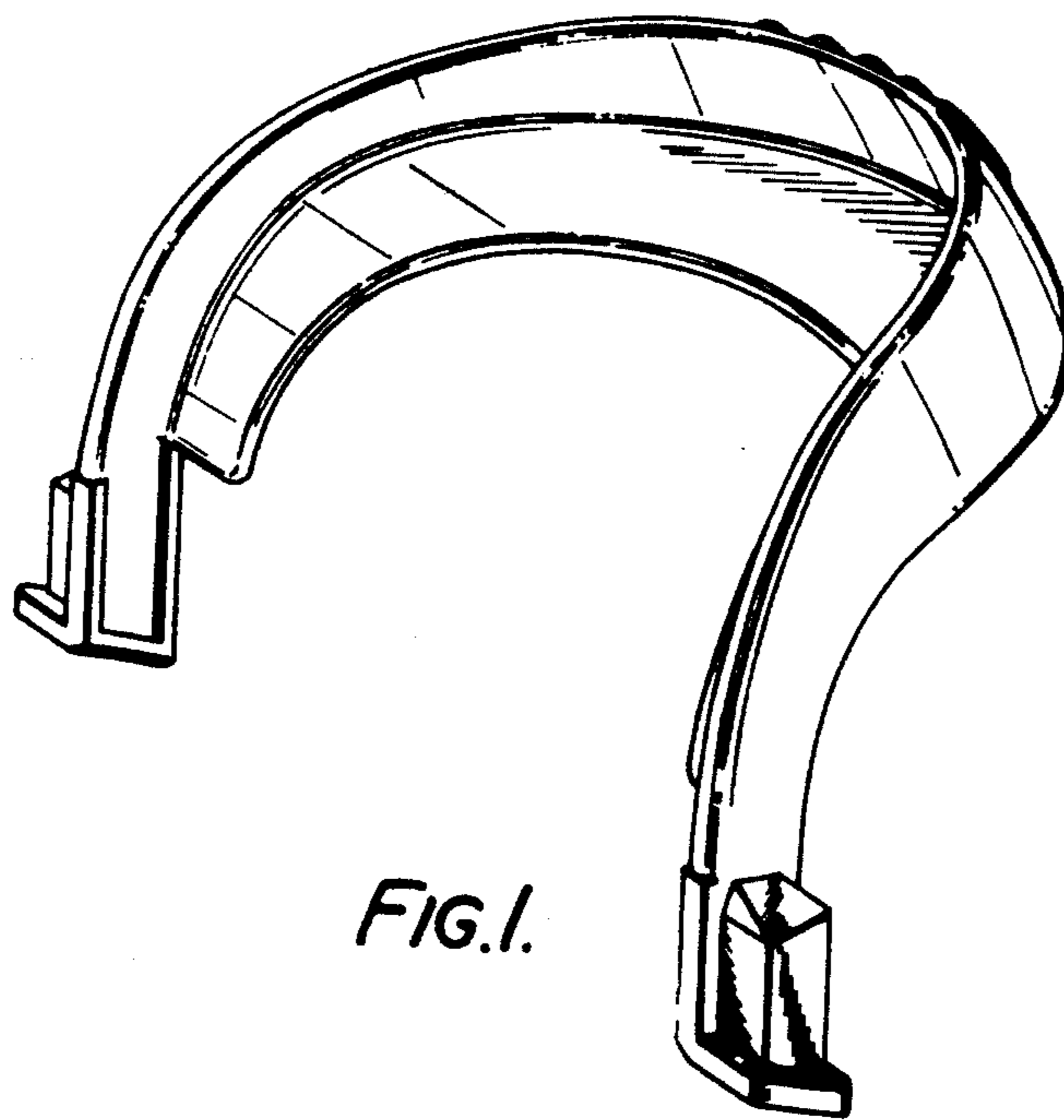
[57] CLAIM

The ornamental design for a head seal for an anti-dust helmet, as shown.

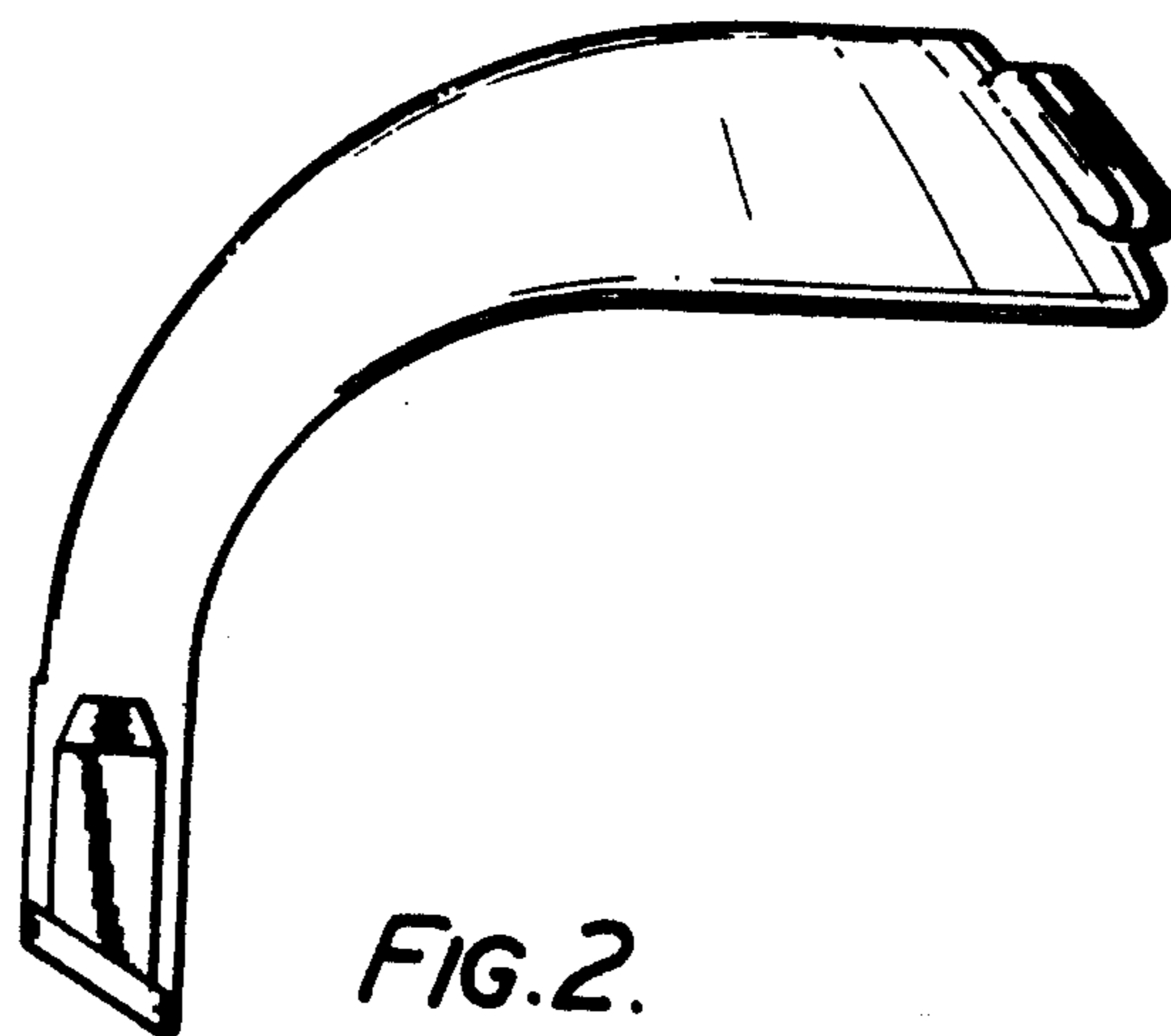
DESCRIPTION

FIG. 1 is a perspective view of a head seal for an anti-dust helmet showing our new design; FIG. 2 is a side elevational view thereof; FIG. 3 is a front elevational view thereof; and FIG. 4 is a top plan view thereof.

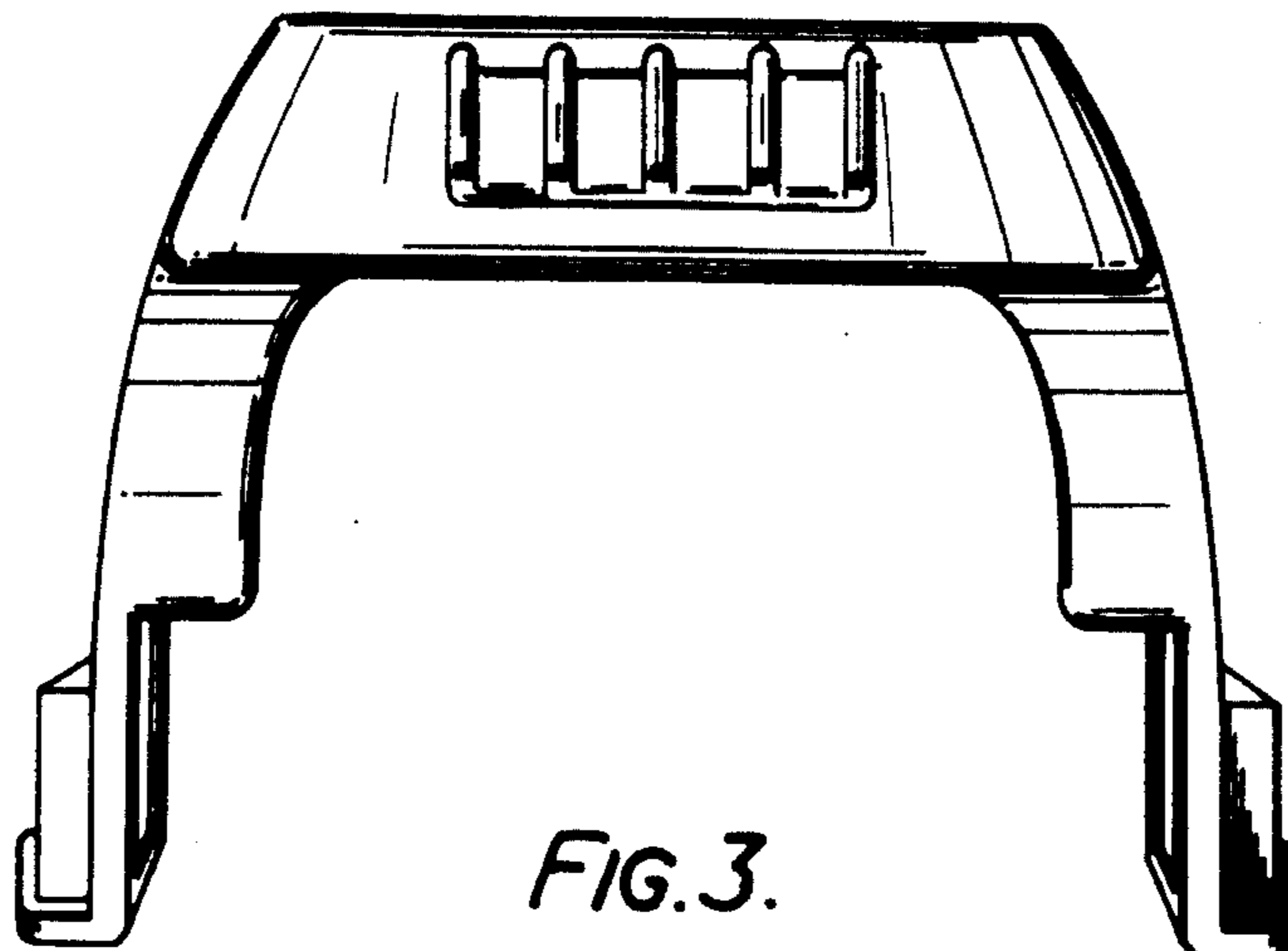




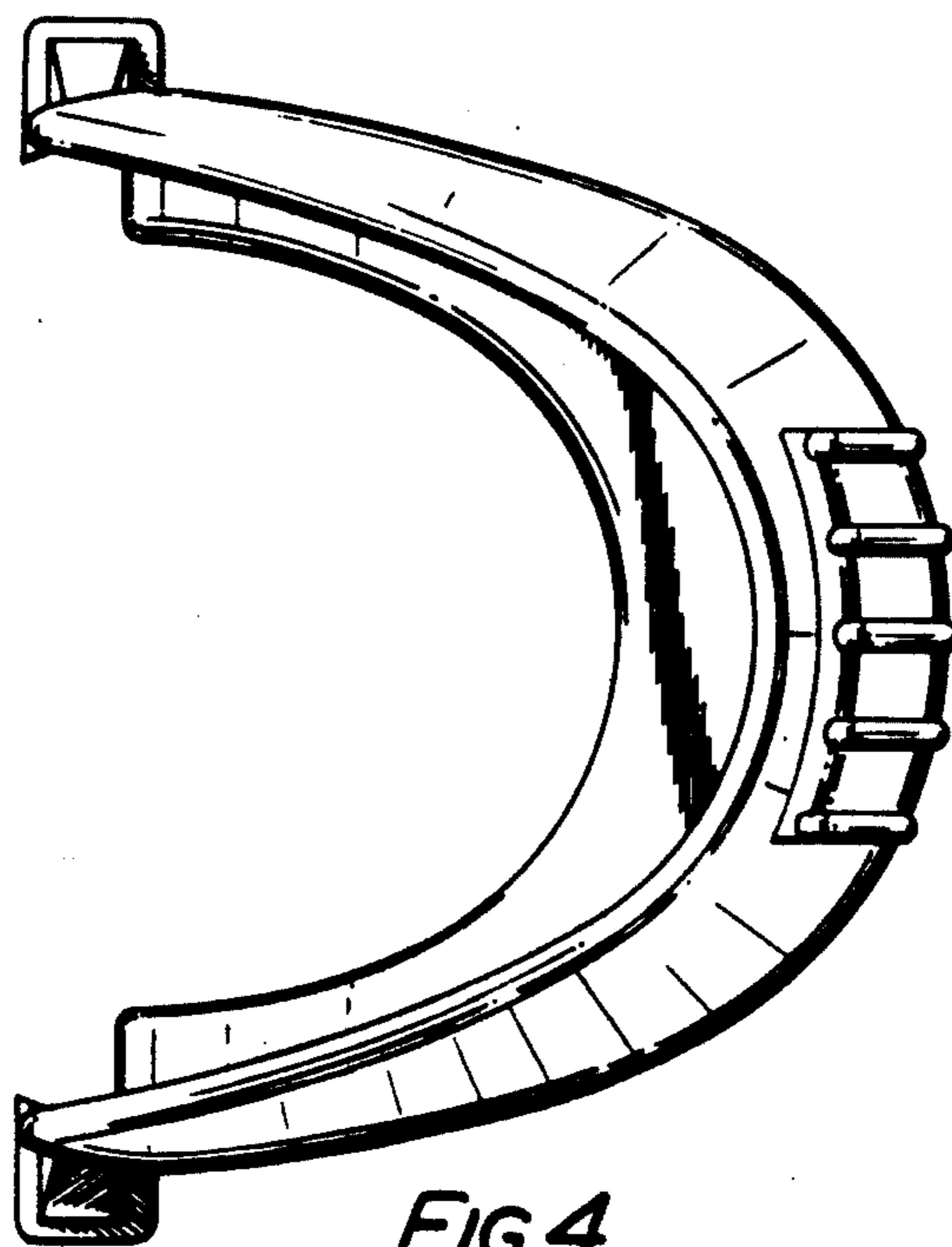
*FIG. 1.*



*FIG. 2.*



*FIG. 3.*



*FIG. 4.*