

[54] CASSETTE CASE

[76] Inventor: Carlos A. Mollura, 2824 Del Oro Pl., Fullerton, Calif. 92655

[**] Term: 14 Years

[21] Appl. No.: 785,318

[22] Filed: Apr. 7, 1977

[51] Int. Cl. D3-02

[52] U.S. Cl. D87/1 D

[58] Field of Search D87/1 R, 1 D, 5 C, 5 G; D14/6, 10, 11; 206/387, 383, .83

[56] References Cited

U.S. PATENT DOCUMENTS

D. 208,253	8/1967	Standard	D87/1 D
D. 220,989	6/1971	Di Ioia	D87/1 D
D. 230,101	1/1974	Green	D87/1 D
1,705,149	3/1929	Brady	D87/5 G
3,743,081	7/1973	Roberg	206/387

Primary Examiner—Joel Stearman
Assistant Examiner—George P. Word
Attorney, Agent, or Firm—Fred Flann

[57] CLAIM

The ornamental design for a cassette case, substantially as shown and described.

DESCRIPTION

FIG. 1 is a perspective view of the interior of a cassette case showing my new design in an open condition, the exterior thereof being plain and unornamented;
FIG. 2 is a left side elevational view, the opposite side being a mirror image thereof;
FIG. 3 is a top plan view thereof;
FIG. 4 is a perspective view thereof in a closed condition;
FIG. 5 is a perspective view of the interior of a modified form of the cassette case wherein one row of cassette holders has been omitted;
FIG. 6 is a left side elevational view thereof; and
FIG. 7 is a perspective view thereof in a closed condition.

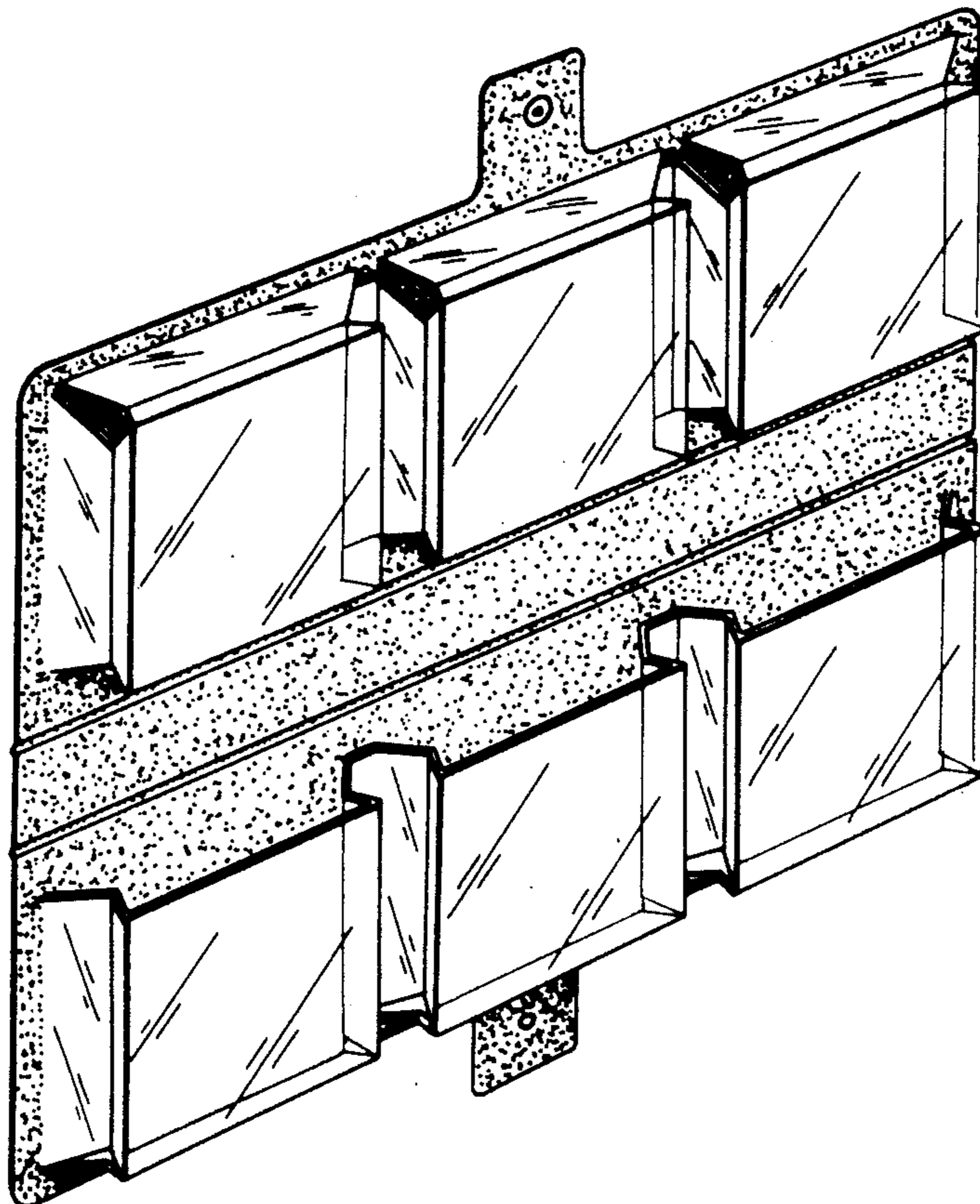


FIG. 1.

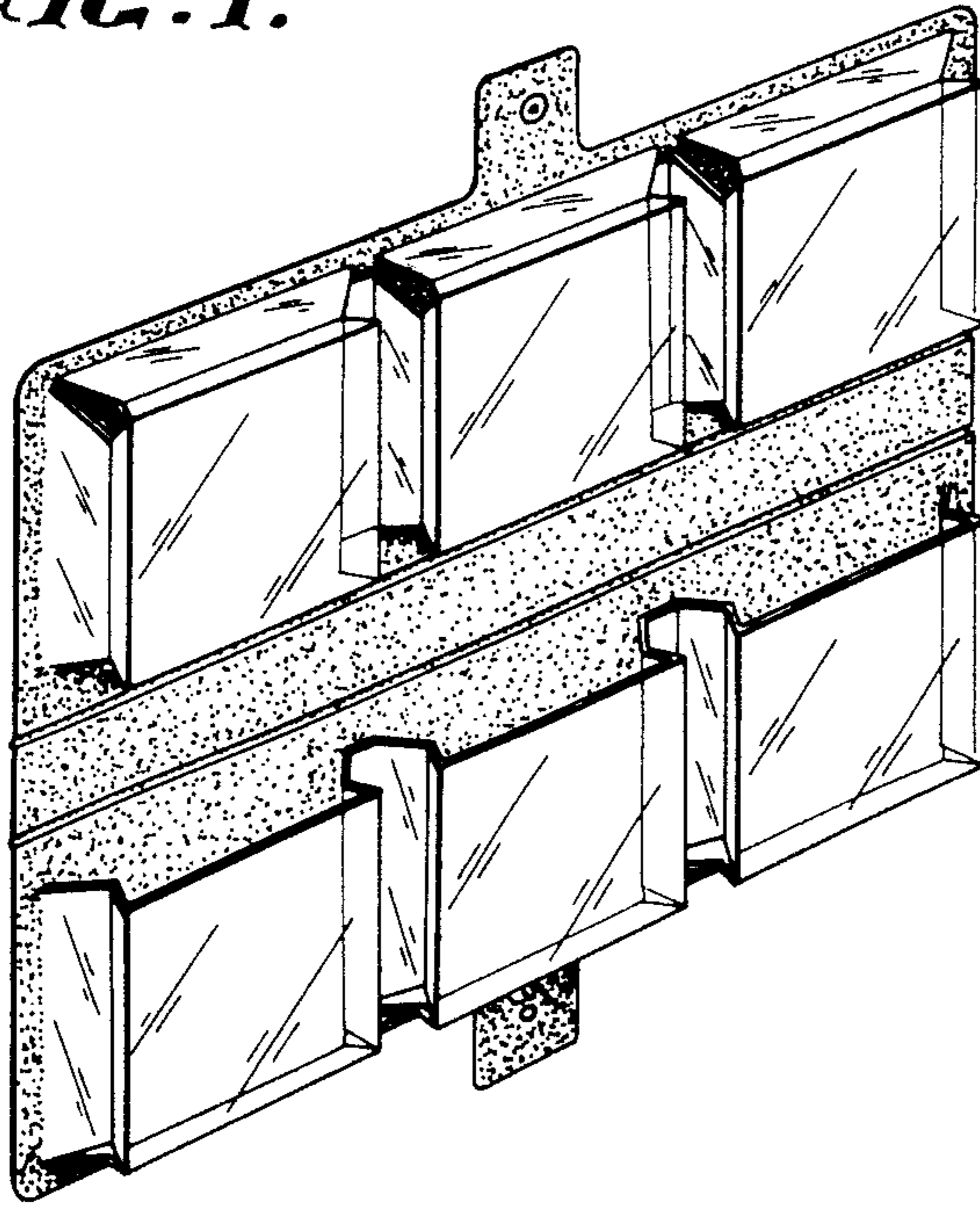


FIG. 2.



FIG. 3.



FIG. 4.

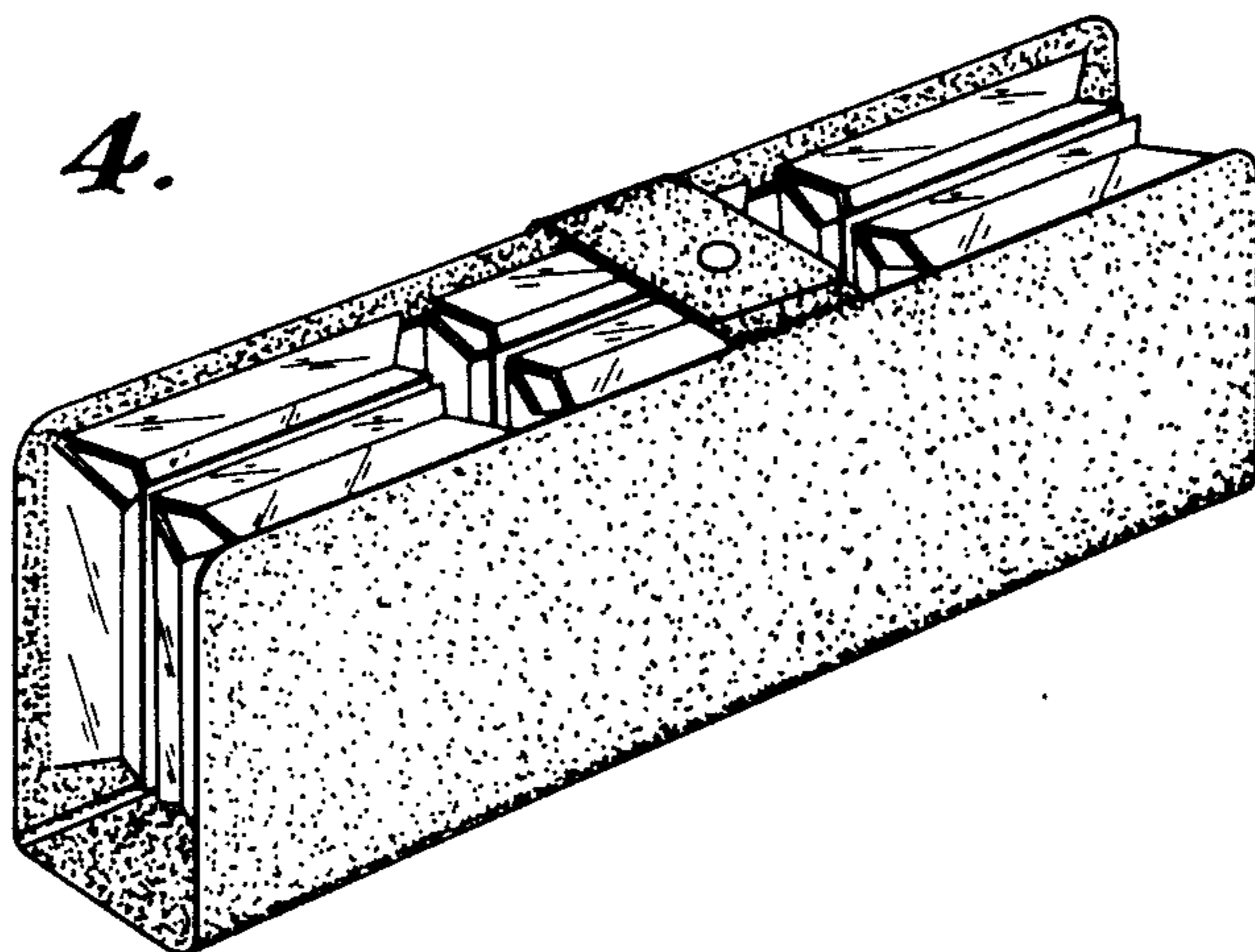


FIG. 5.

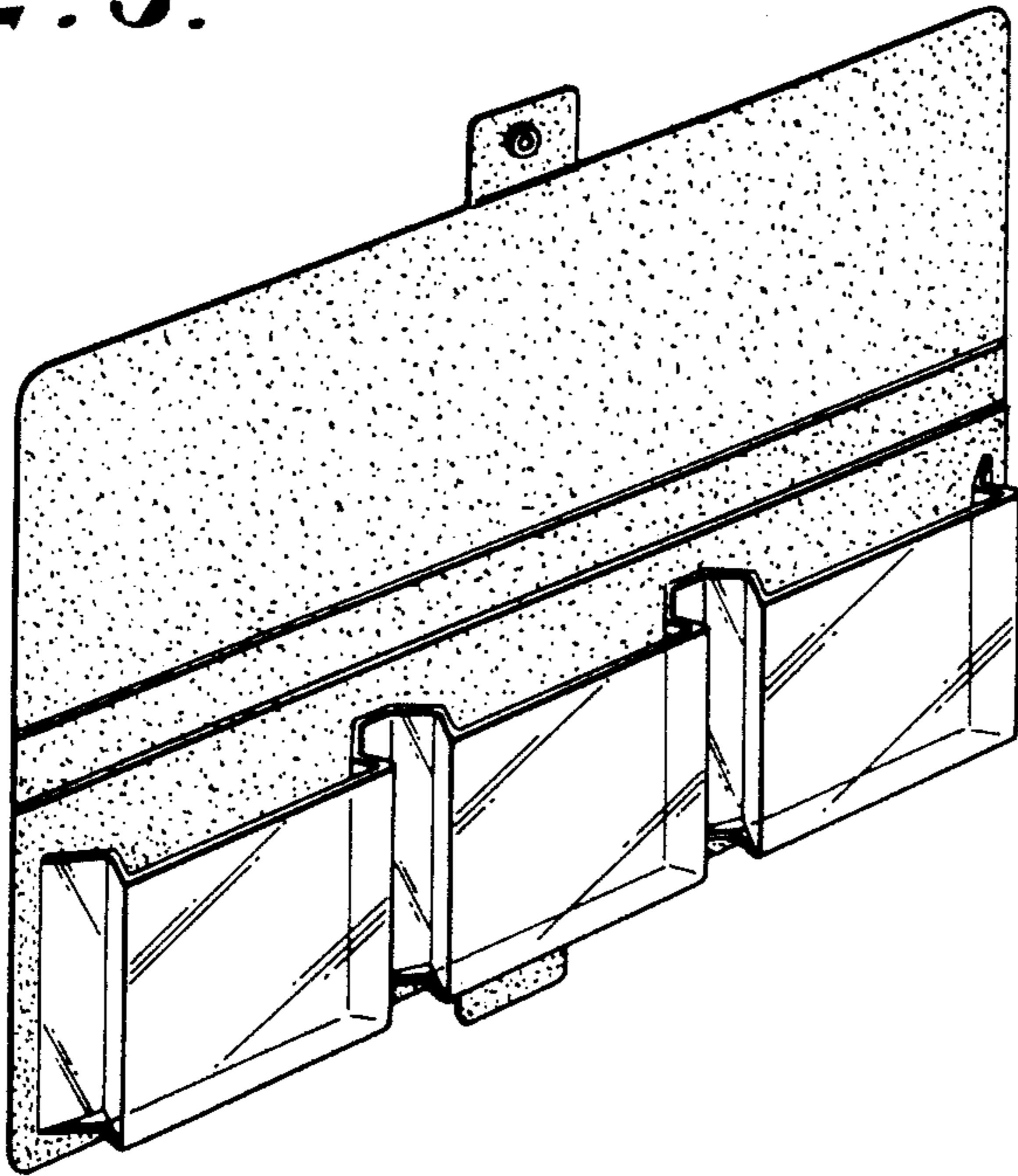


FIG. 6.



FIG. 7.

