

[54] POOL TABLE TOP WITH NON-UNIFORM RAILS

[76] Inventor: Carl J. Feck, 116 S. 11th St., Richmond, Ind. 47374

[**] Term: 14 Years

[21] Appl. No.: 711,054

[22] Filed: Aug. 2, 1976

[51] Int. Cl. D21-01

[52] U.S. Cl. D34/3

[58] Field of Search D34/3; 273/3 A, 3 R

[56]

References Cited

U.S. PATENT DOCUMENTS

364,999	6/1887	Ganter et al.	273/3 A
1,628,446	5/1927	Allinger	D34/3
3,544,108	12/1970	Bali	273/3 A
3,958,804	5/1976	Godfrey	273/3 A

Primary Examiner—Melvin B. Feifer

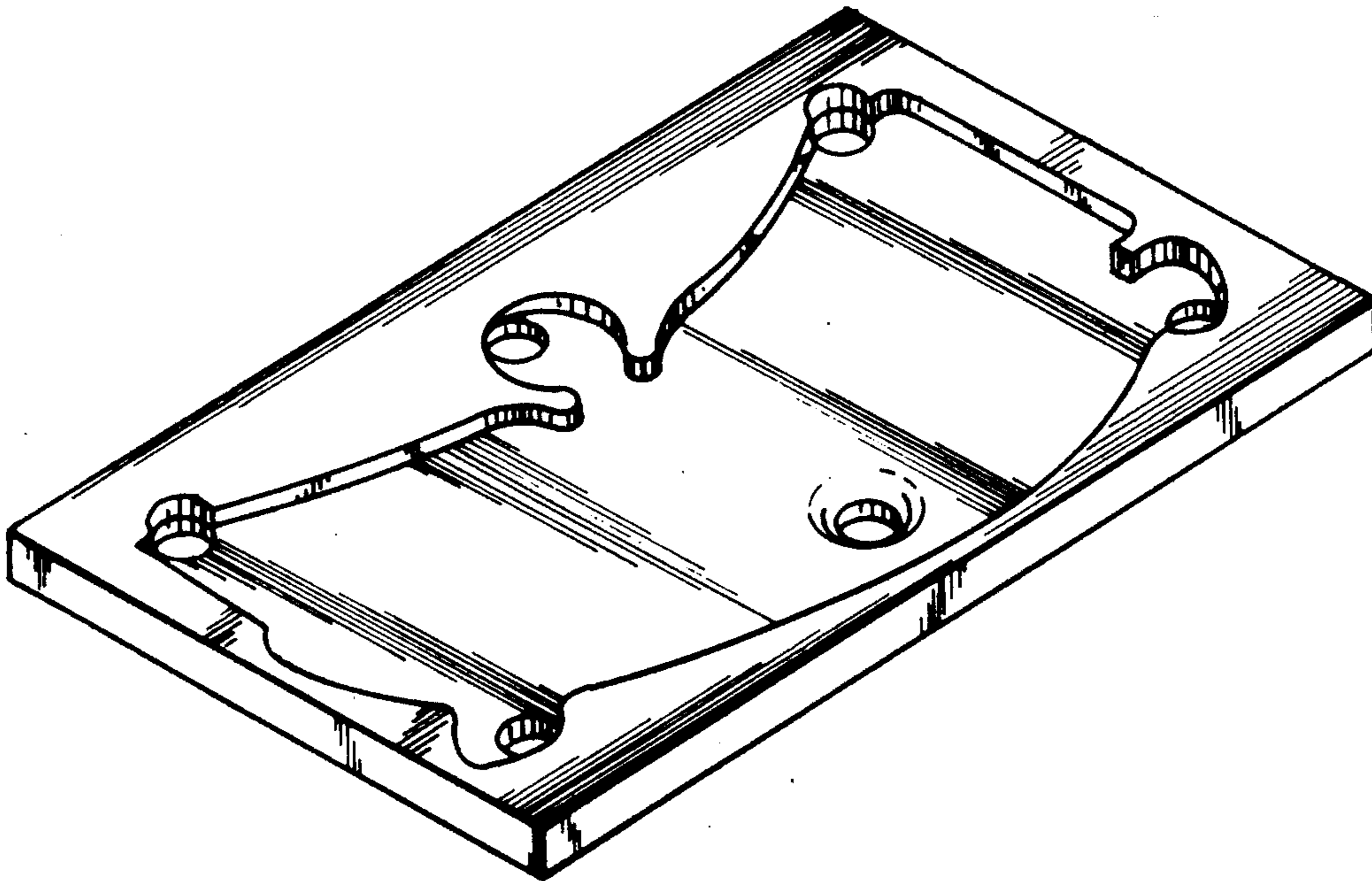
[57]

CLAIM

The ornamental design for pool table top with non-uniform rails, as shown.

DESCRIPTION

FIG. 1 is a top plan view of a pool table top with non-uniform rails showing my new design; FIG. 2 is a perspective view.



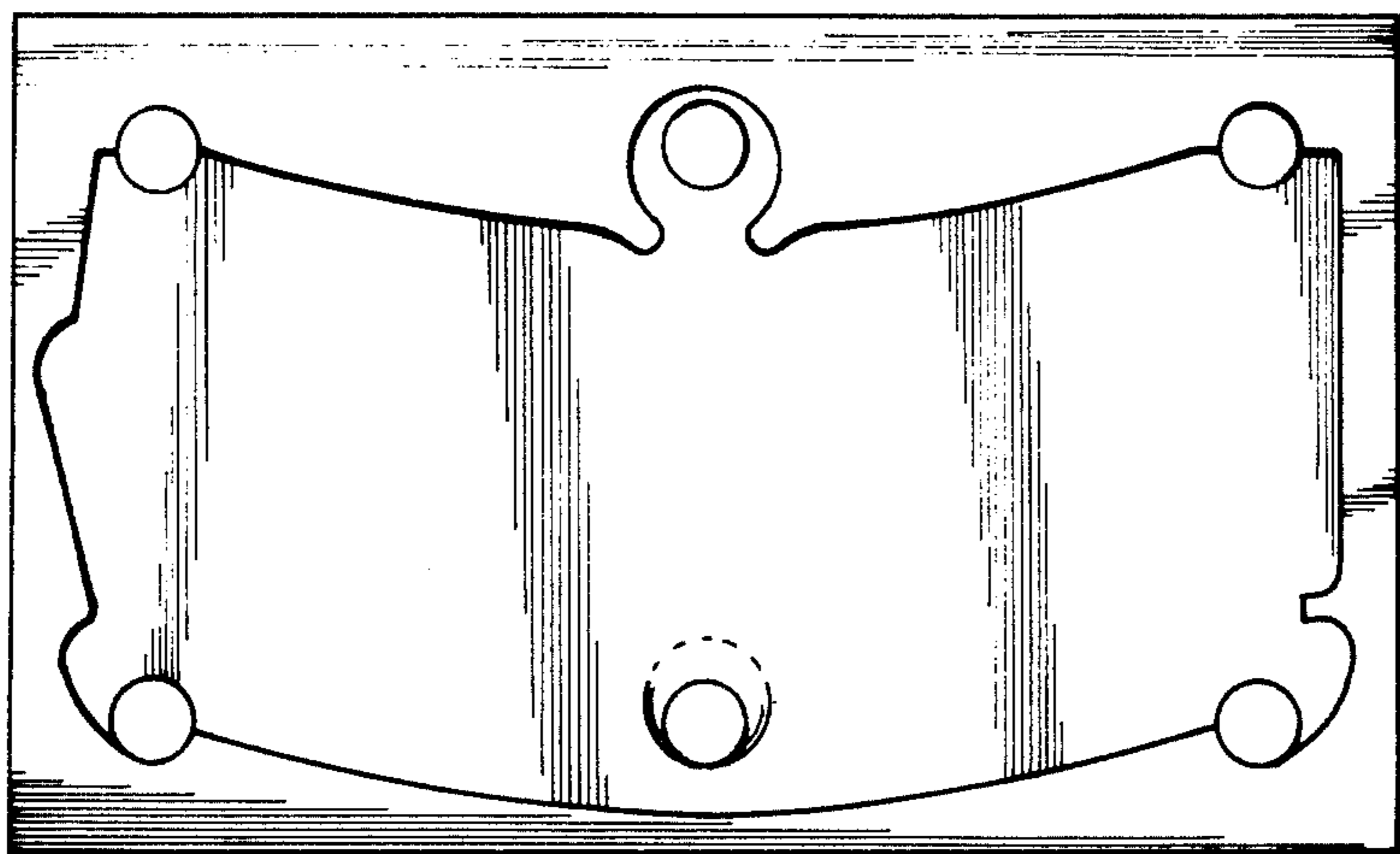


FIG. 1

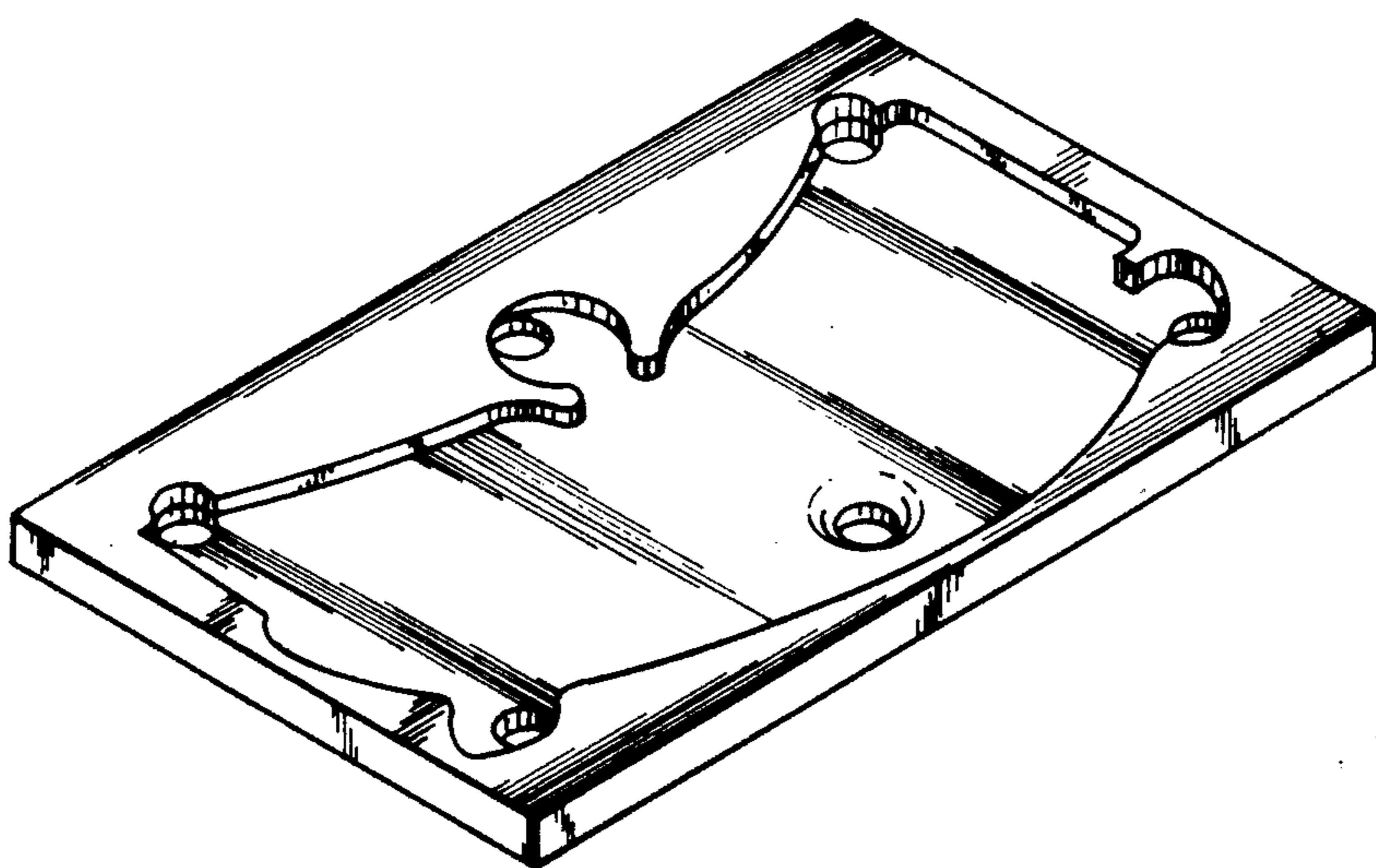


FIG. 2