

[54] BUILDING BLOCK

[76] Inventor: George B. Muse, Hillcrest Dr., Calhoun, Ga. 30701

[**] Term: 14 Years

[21] Appl. No.: 749,782

[22] Filed: Dec. 13, 1976

[51] Int. Cl. D25-01

[52] U.S. Cl. D25/87; D25/97

[58] Field of Search D25/80, 85, 87, 88, D25/89, 90, 91, 92, 93, 94, 97; 52/589, 436, 585, 586, 288, 569

[56] References Cited

U.S. PATENT DOCUMENTS

D. 244,201	5/1977	Muse	D25/87
3,780,484	12/1973	Muse	D25/90 X
3,962,842	6/1976	Wilhelm	52/589 X

Primary Examiner—A. Hugo Word

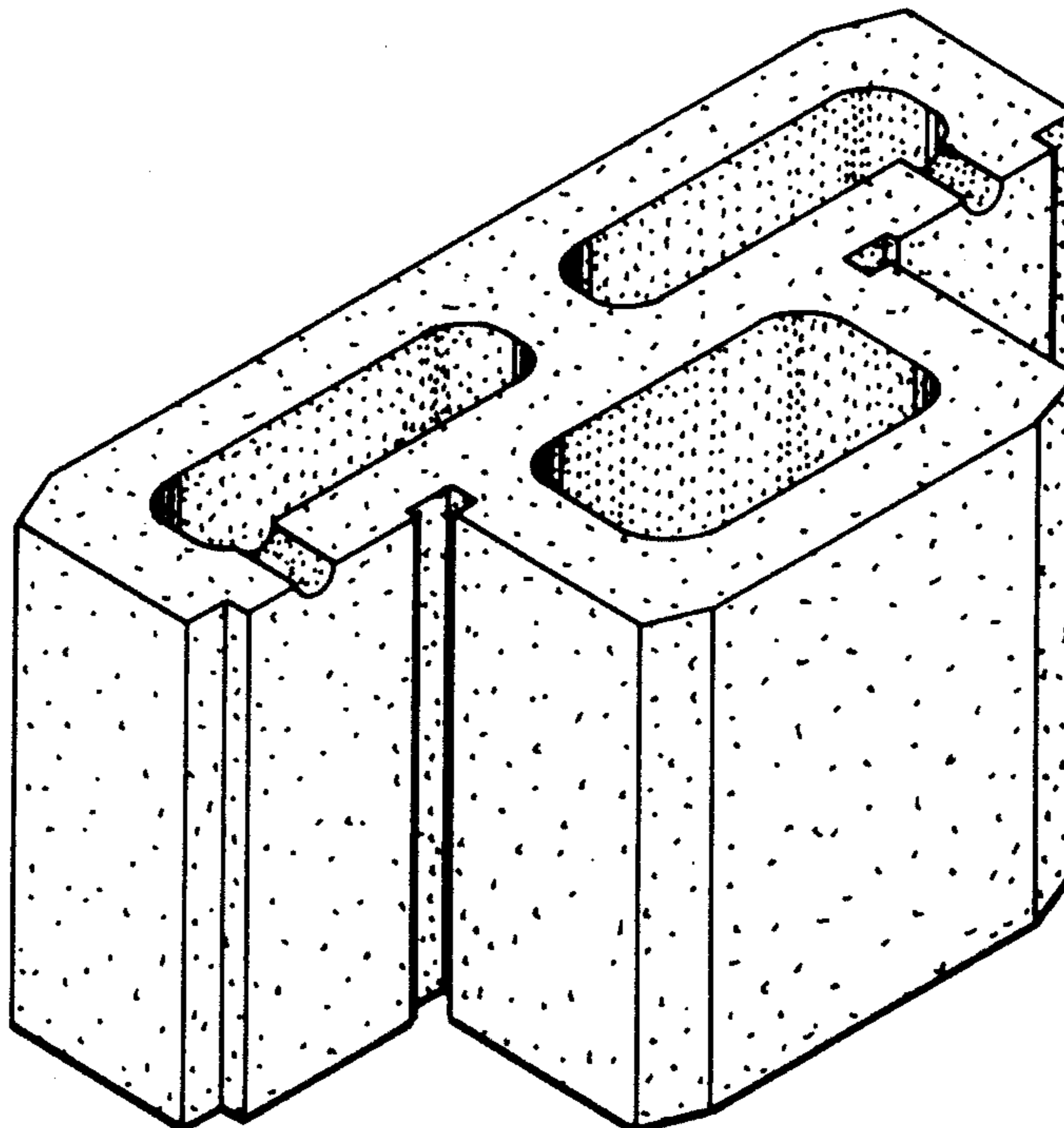
Attorney, Agent, or Firm—Harold D. Jones, Jr.

[57] CLAIM

The ornamental design for a building block, substantially as shown in the drawing.

DESCRIPTION

FIG. 1 is a perspective view of a building block embodying the new design;
 FIG. 2 is a rear view thereof;
 FIG. 3 is a top plan view thereof;
 FIG. 4 is a left side view thereof;
 FIG. 5 is a right side view thereof;
 FIG. 6 is a front view thereof; and,
 FIG. 7 is a bottom plan view thereof;
 FIG. 8 is a perspective view of a building block embodying a modified form of the new design;
 FIG. 9 is a rear view thereof;
 FIG. 10 is a top plan view thereof;
 FIG. 11 is a left side view thereof;
 FIG. 12 is a right side view thereof;
 FIG. 13 is a front view thereof; and,
 FIG. 14 is a bottom plan view thereof.



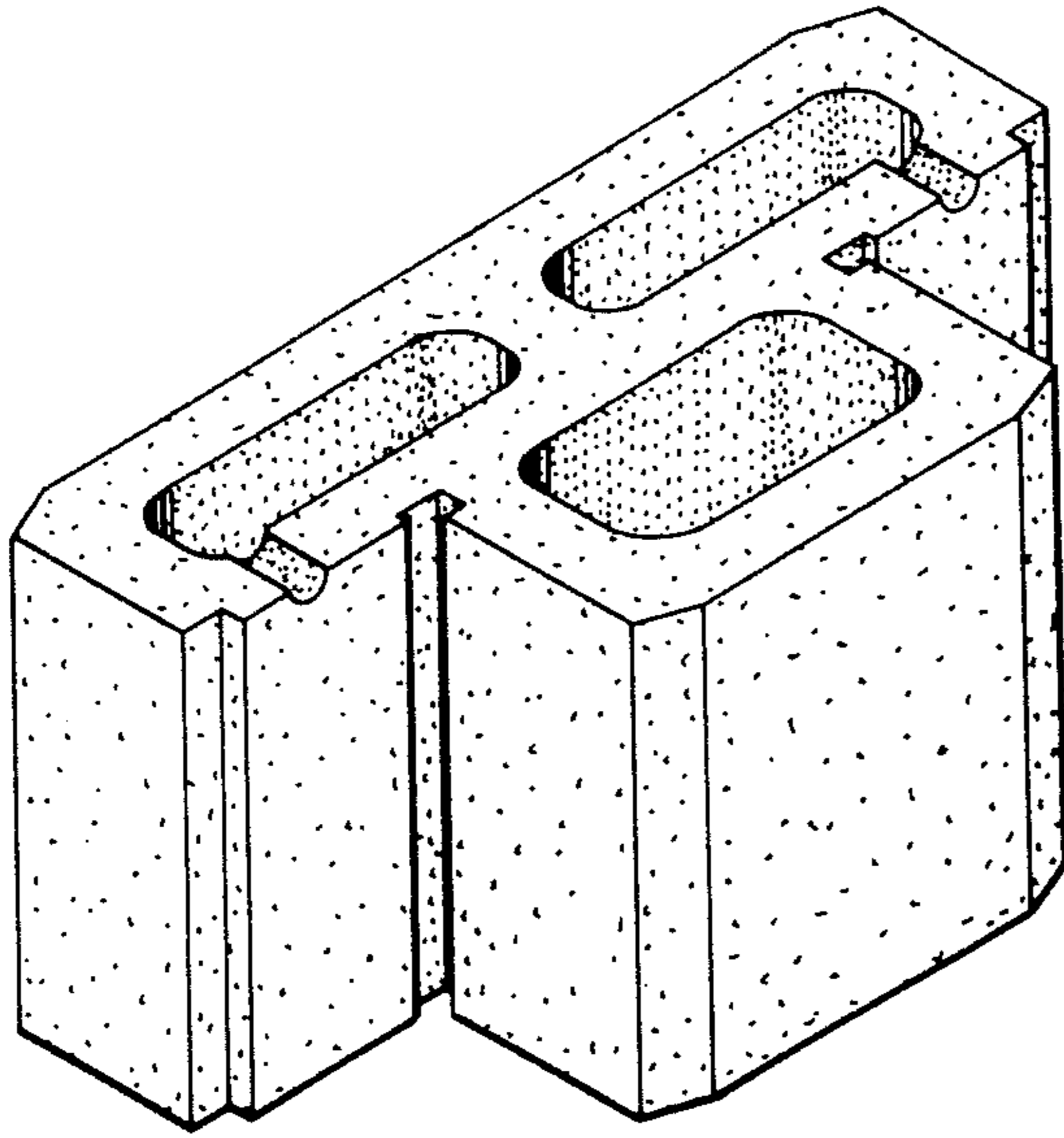


Fig. 1

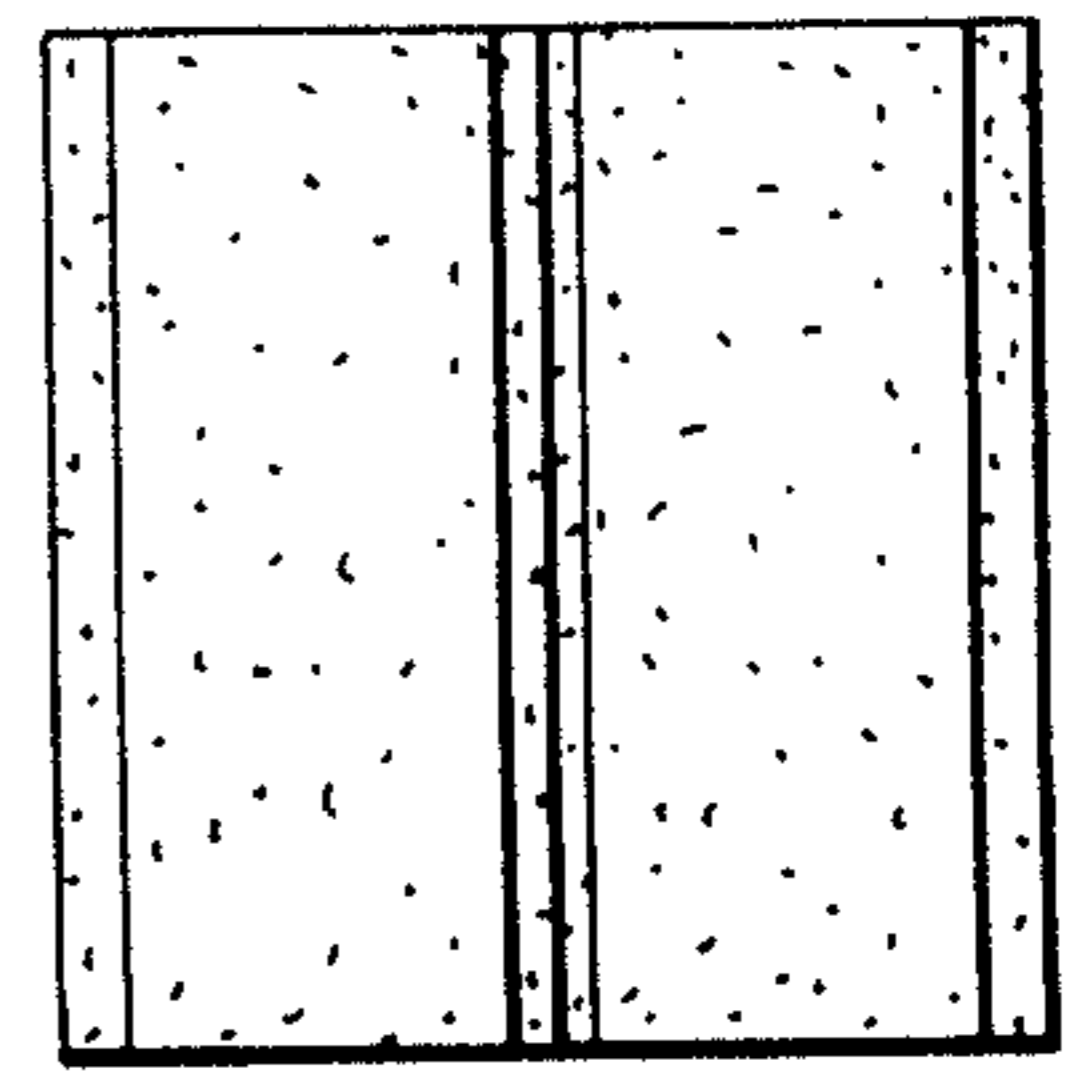


Fig. 4

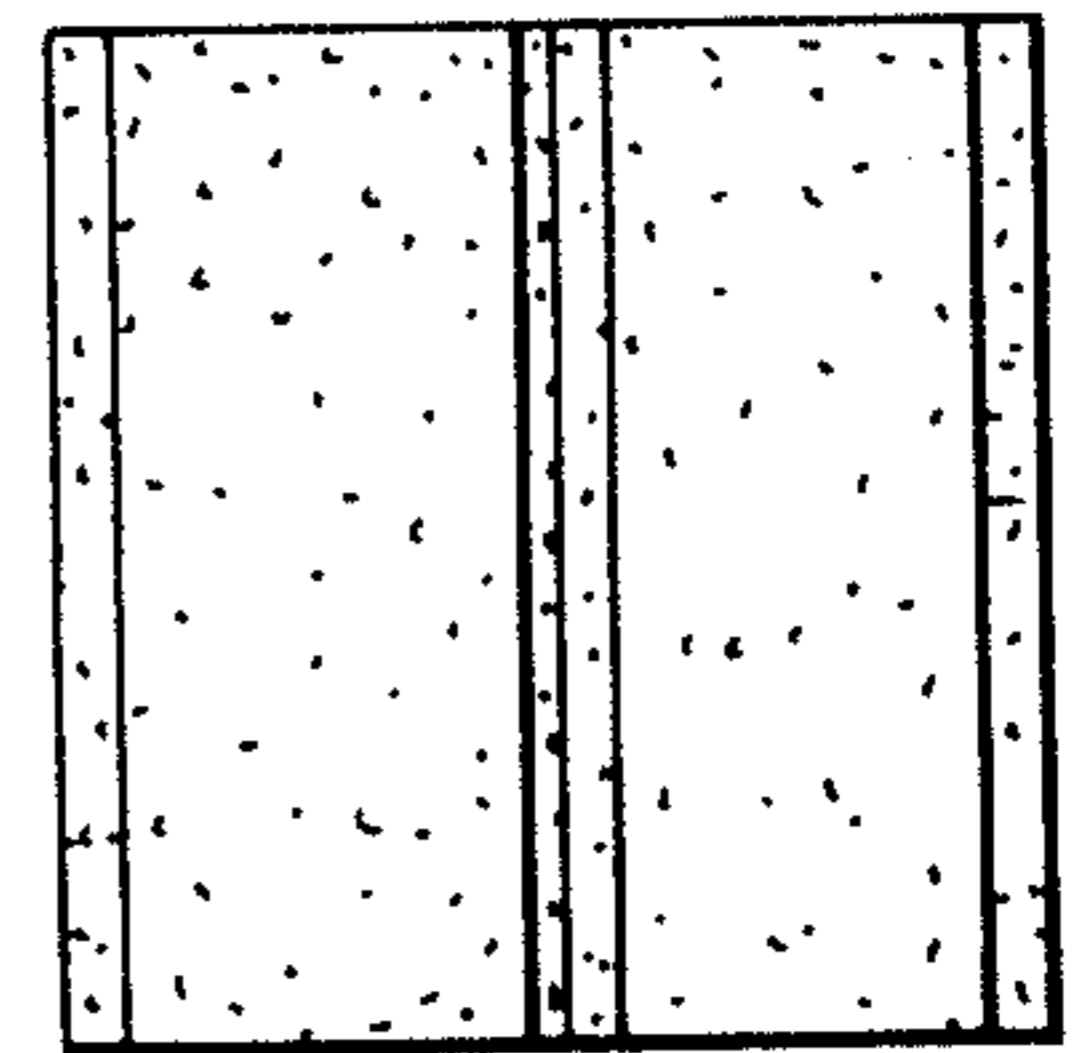


Fig. 5

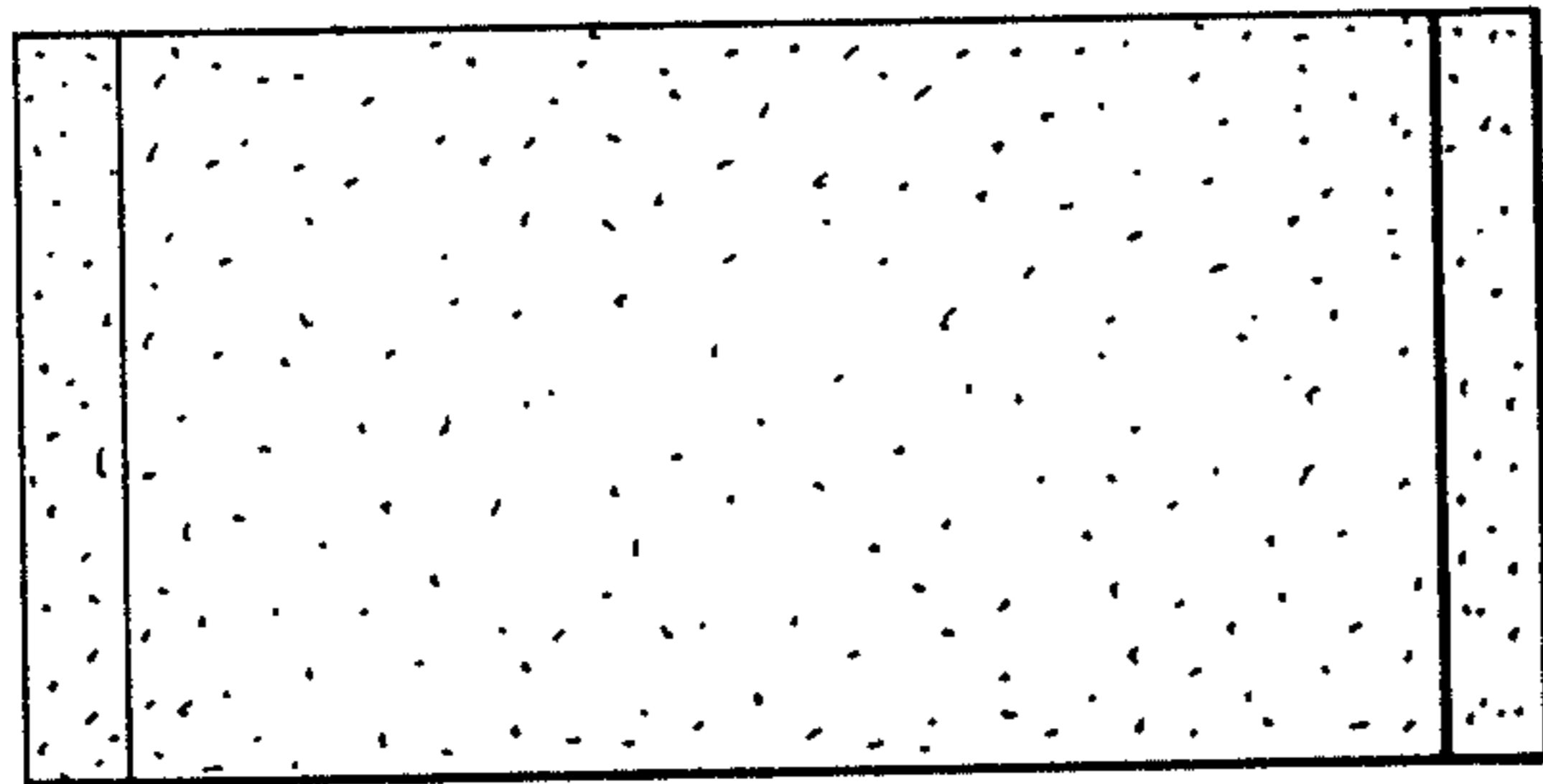


Fig. 2

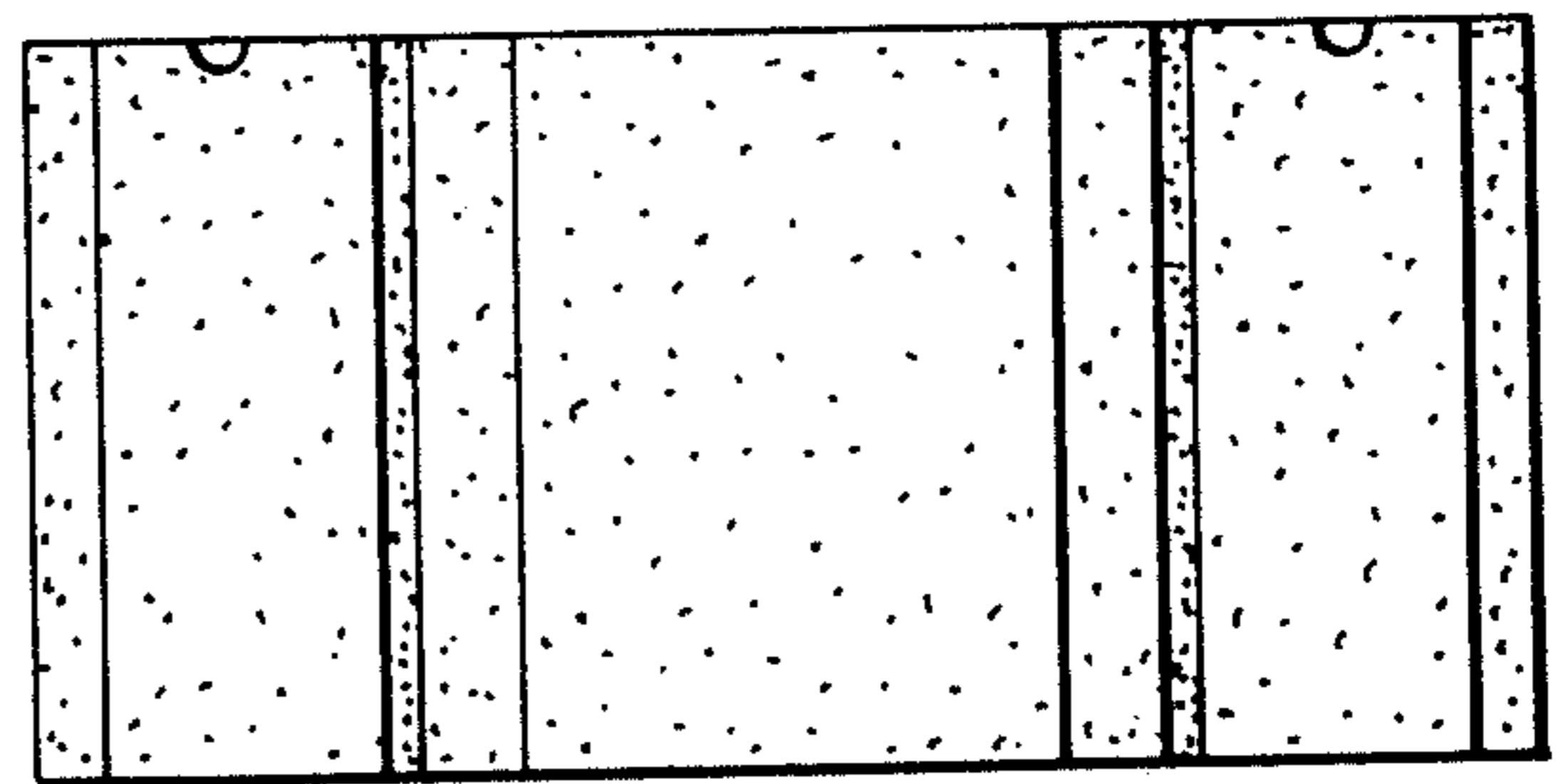


Fig. 6

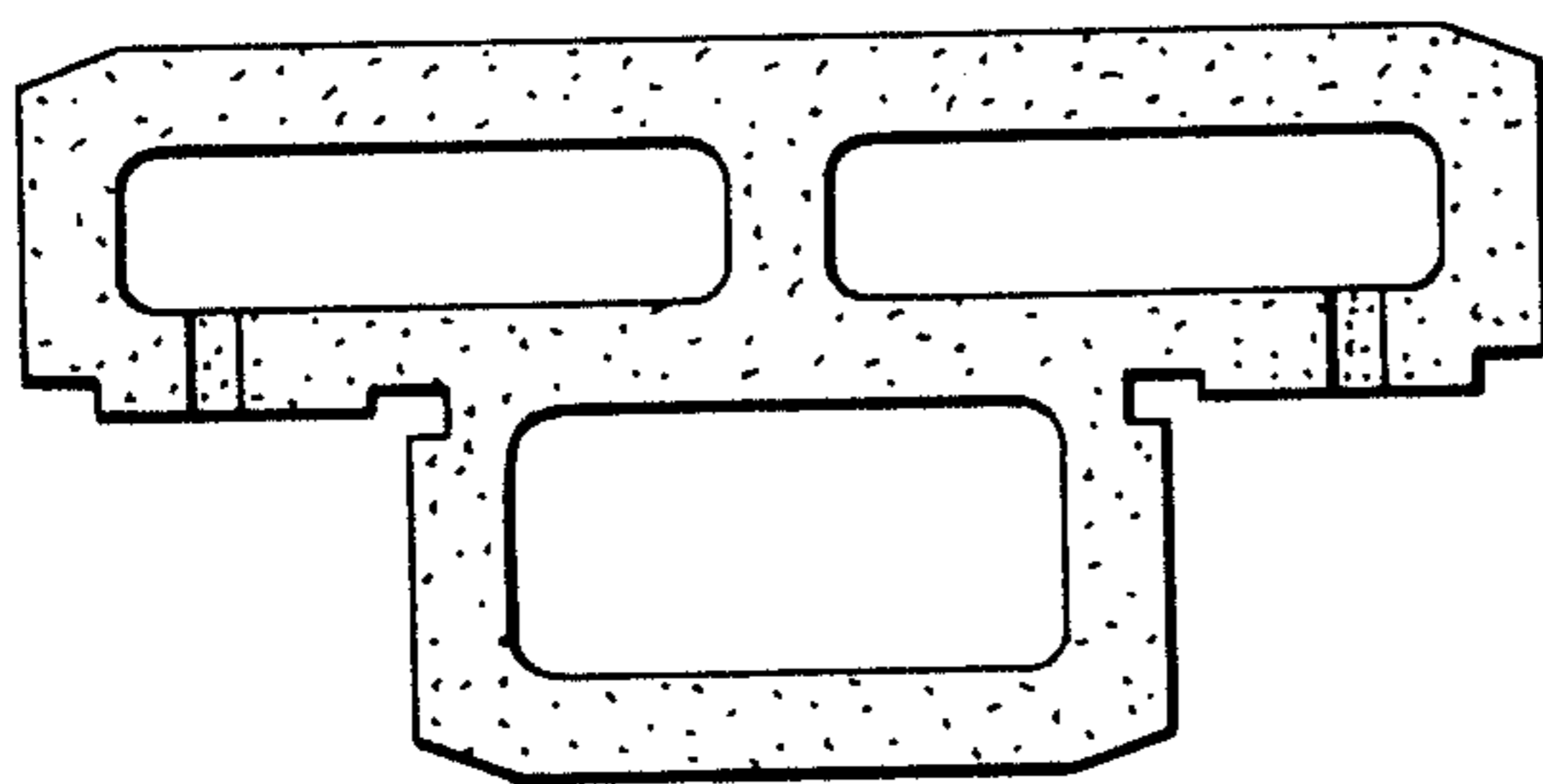


Fig. 3

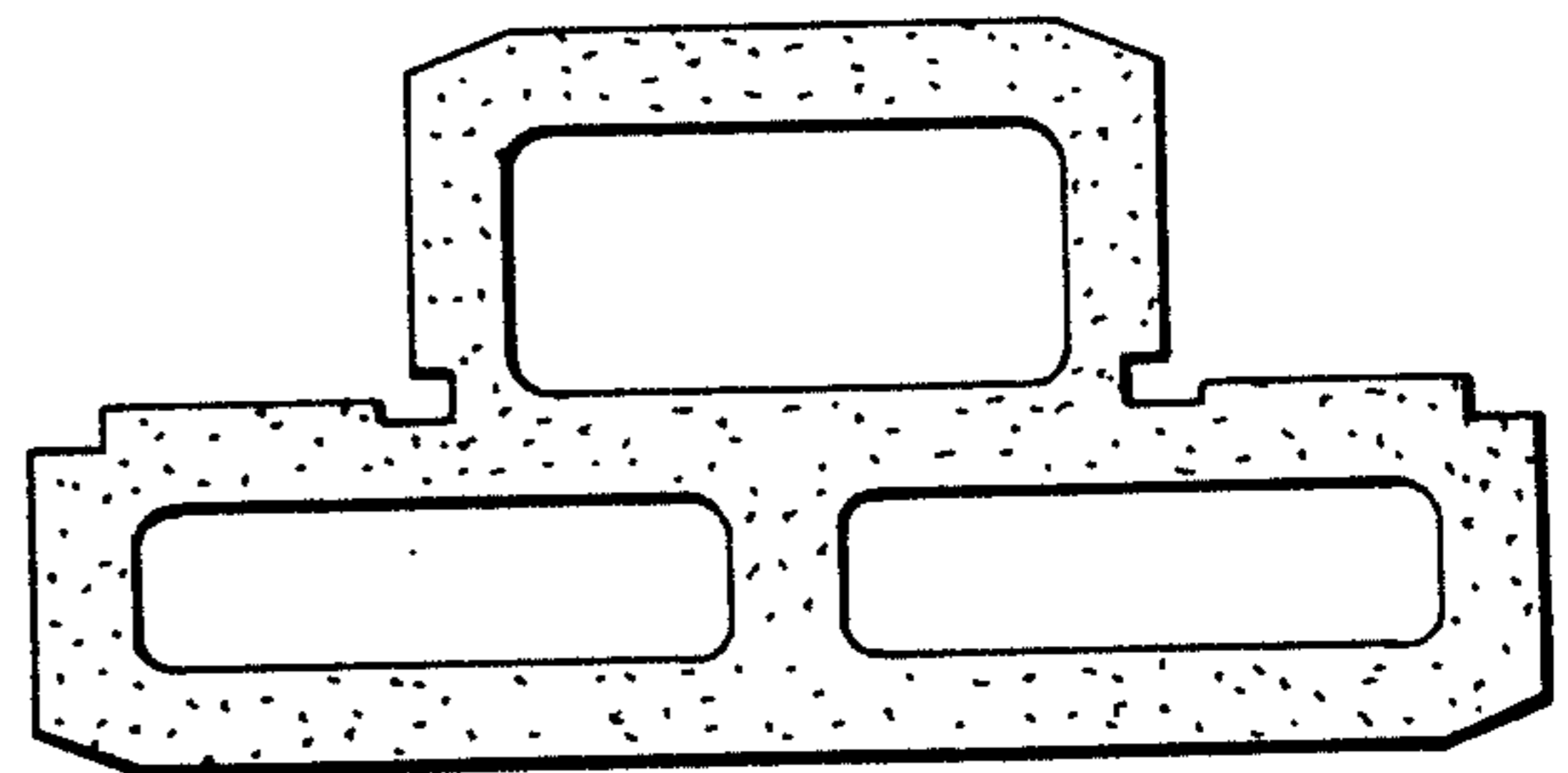


Fig. 7

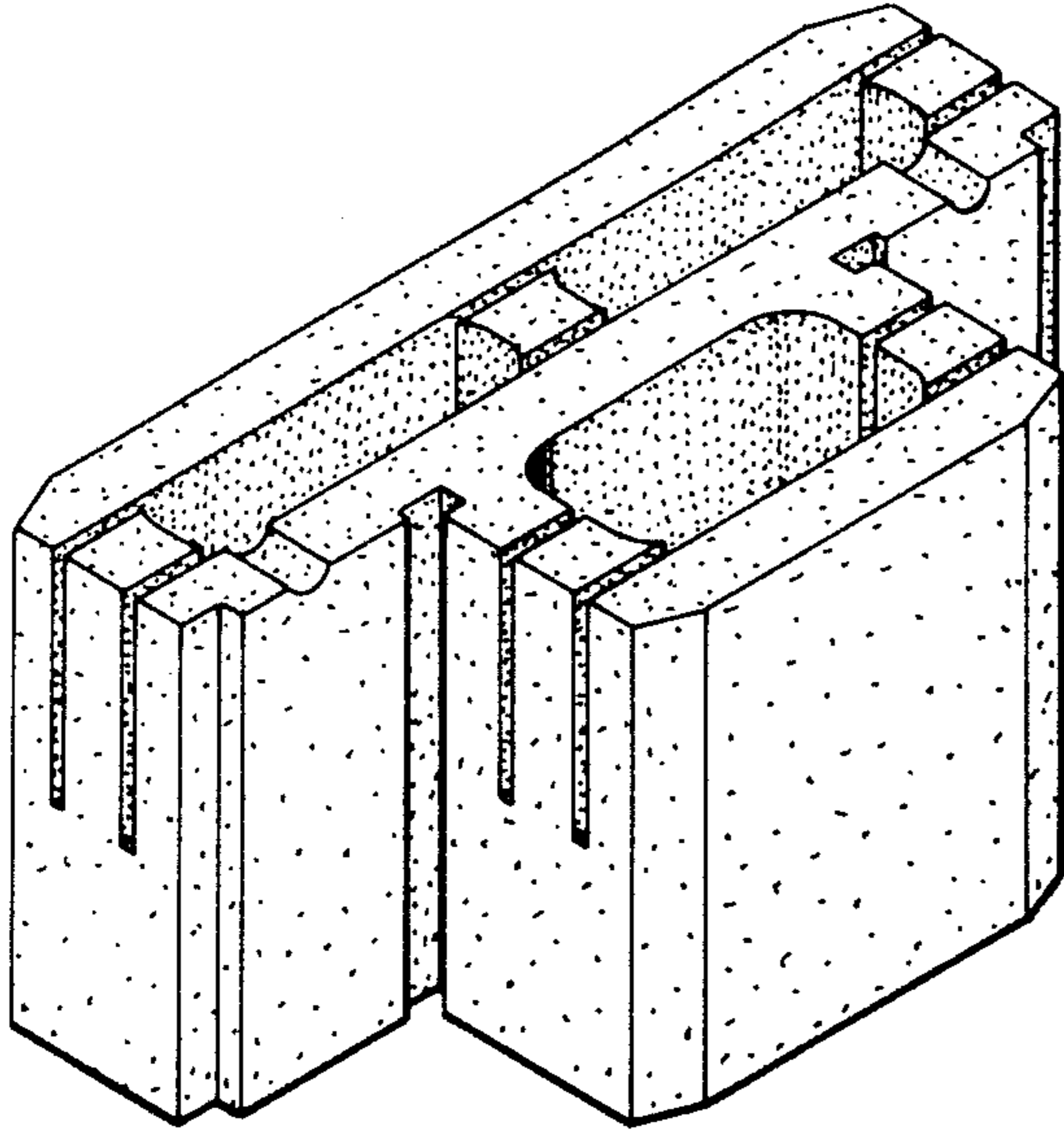


Fig. 8

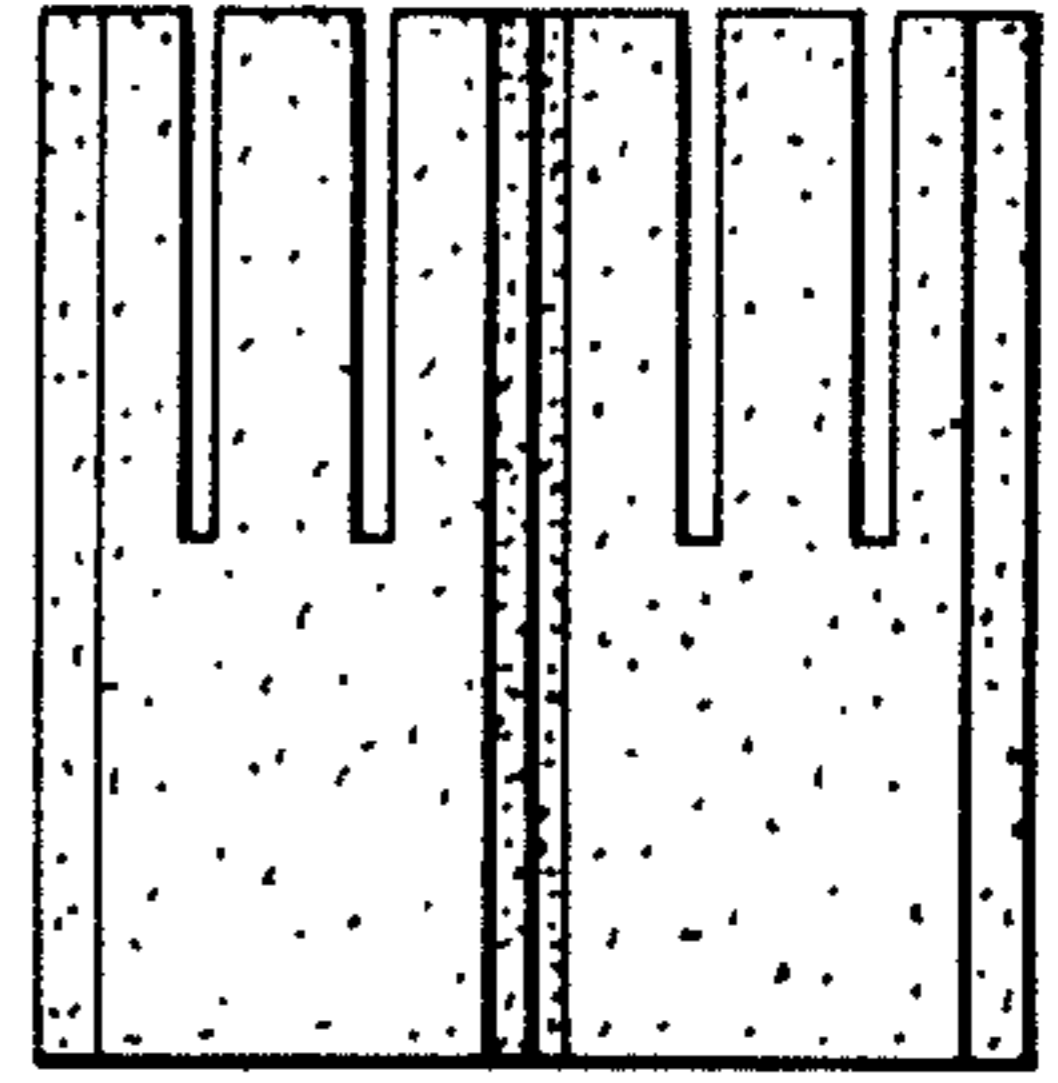


Fig. 11

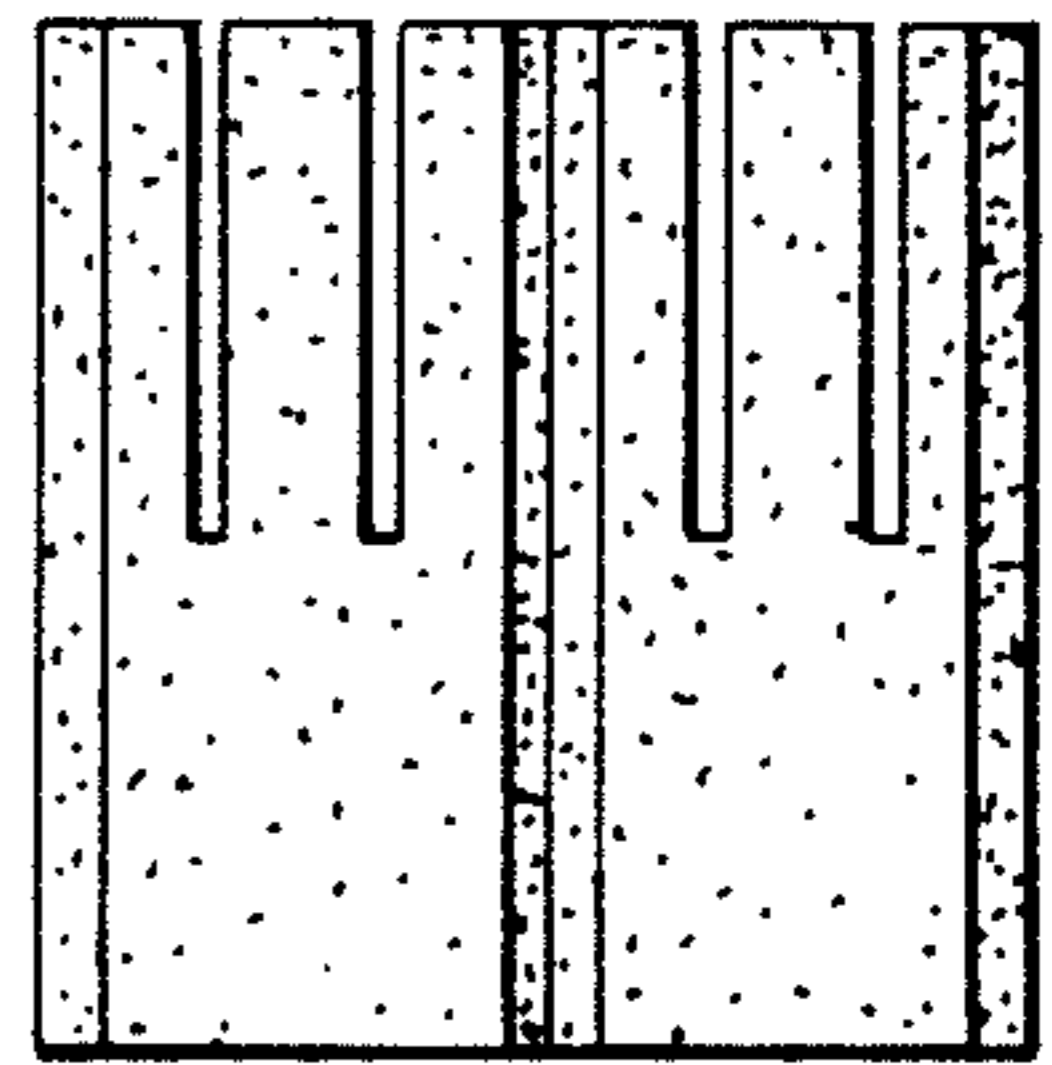


Fig. 12

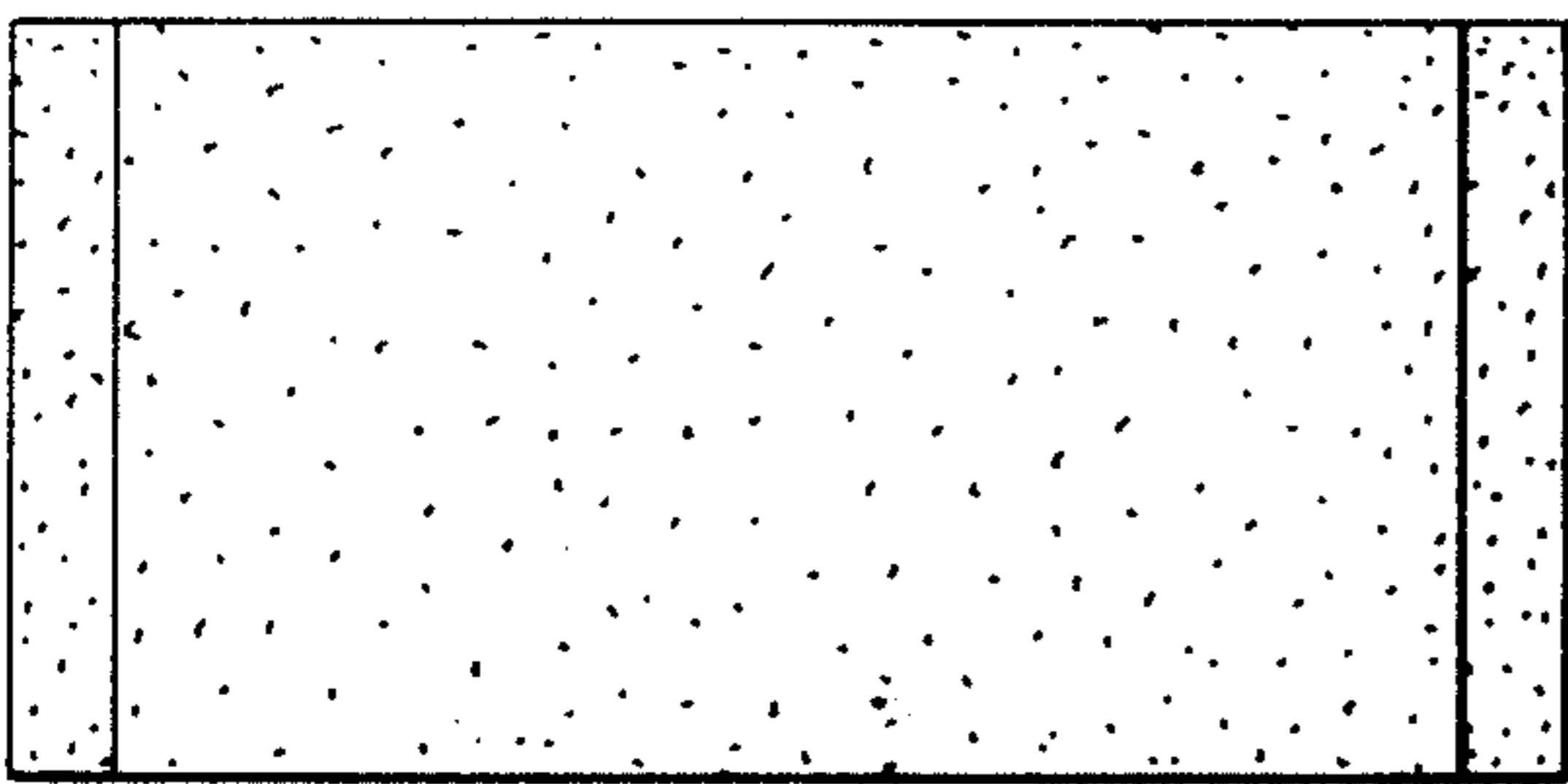


Fig. 9

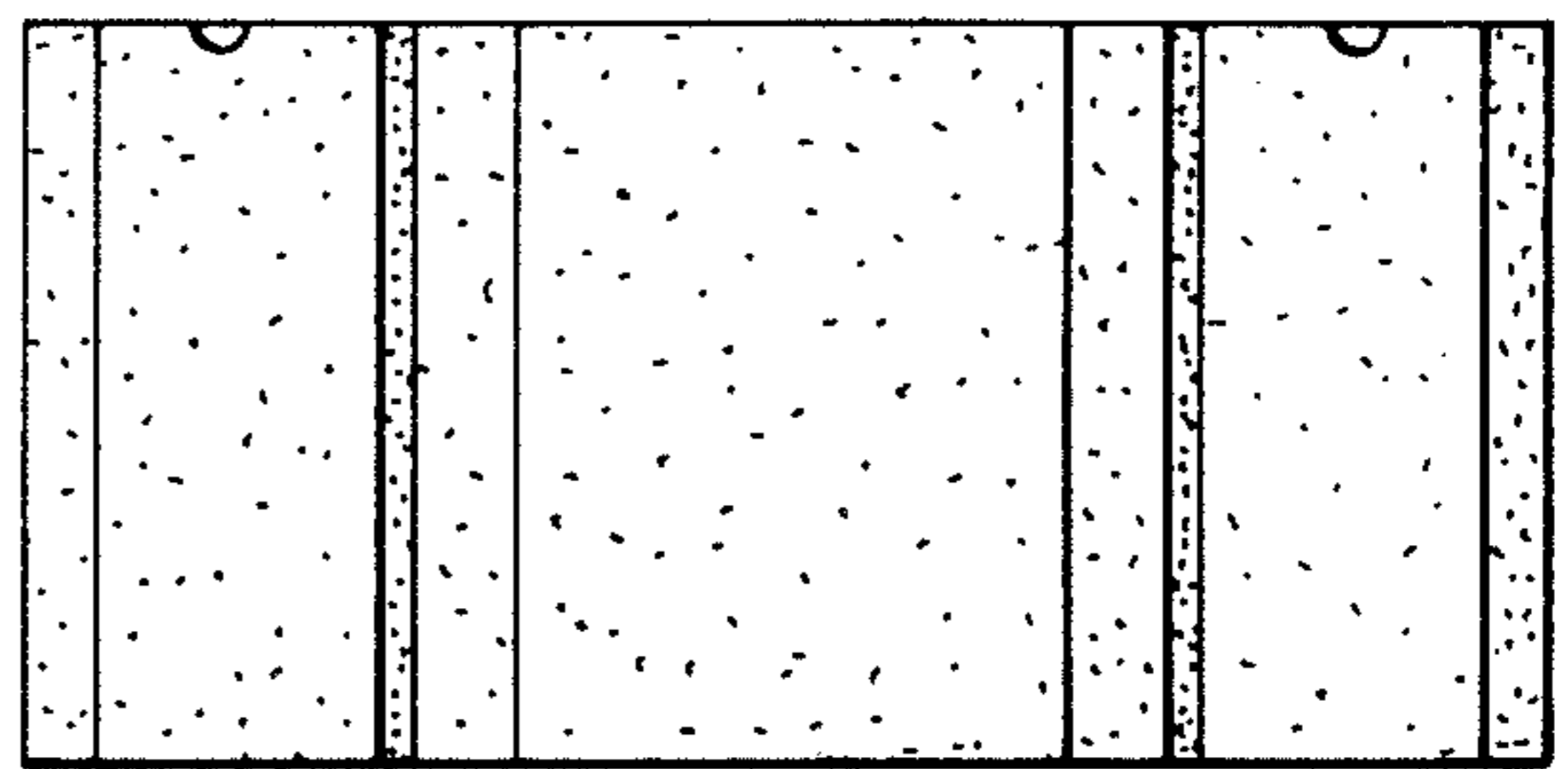


Fig. 13

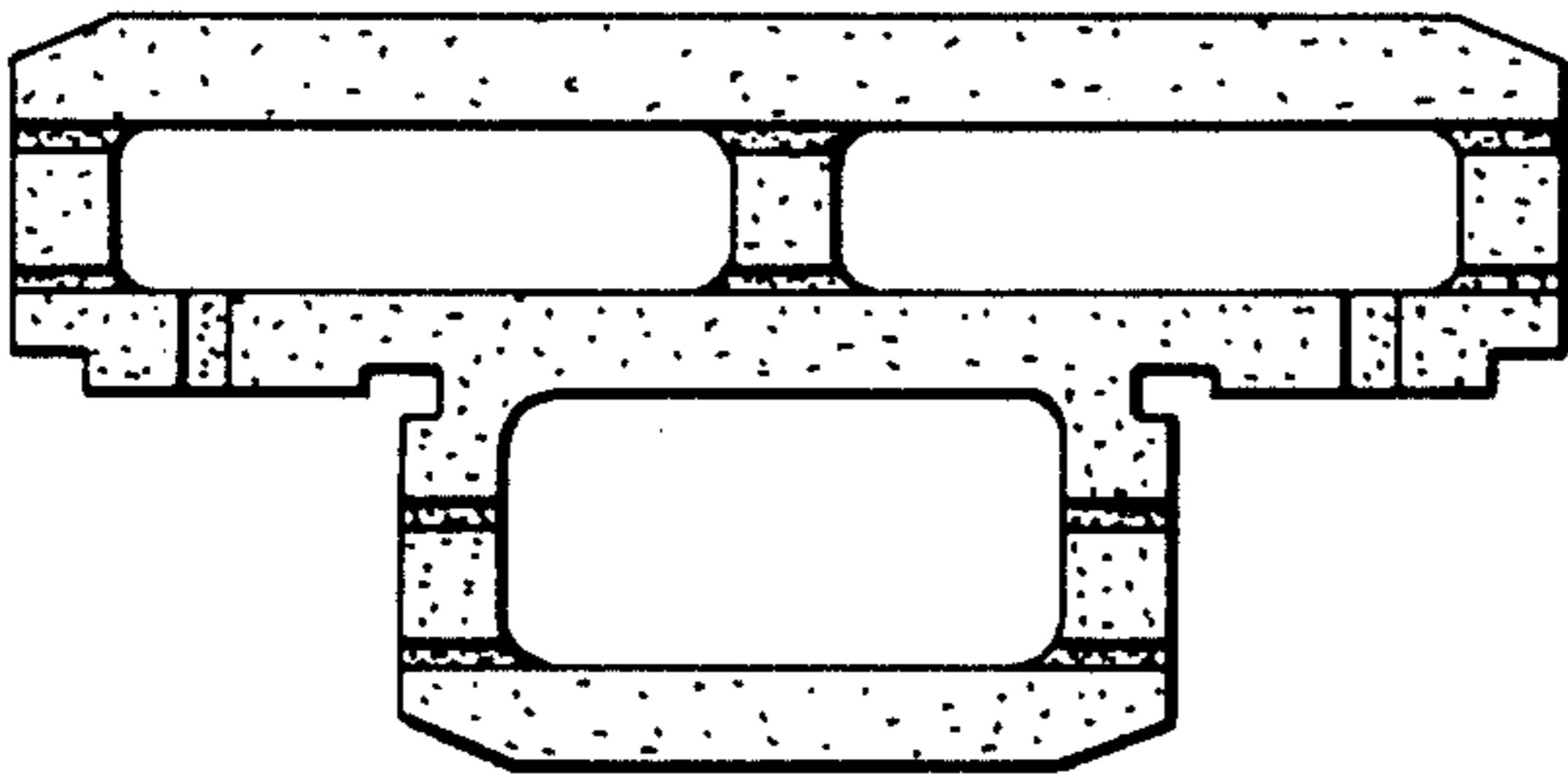


Fig. 10

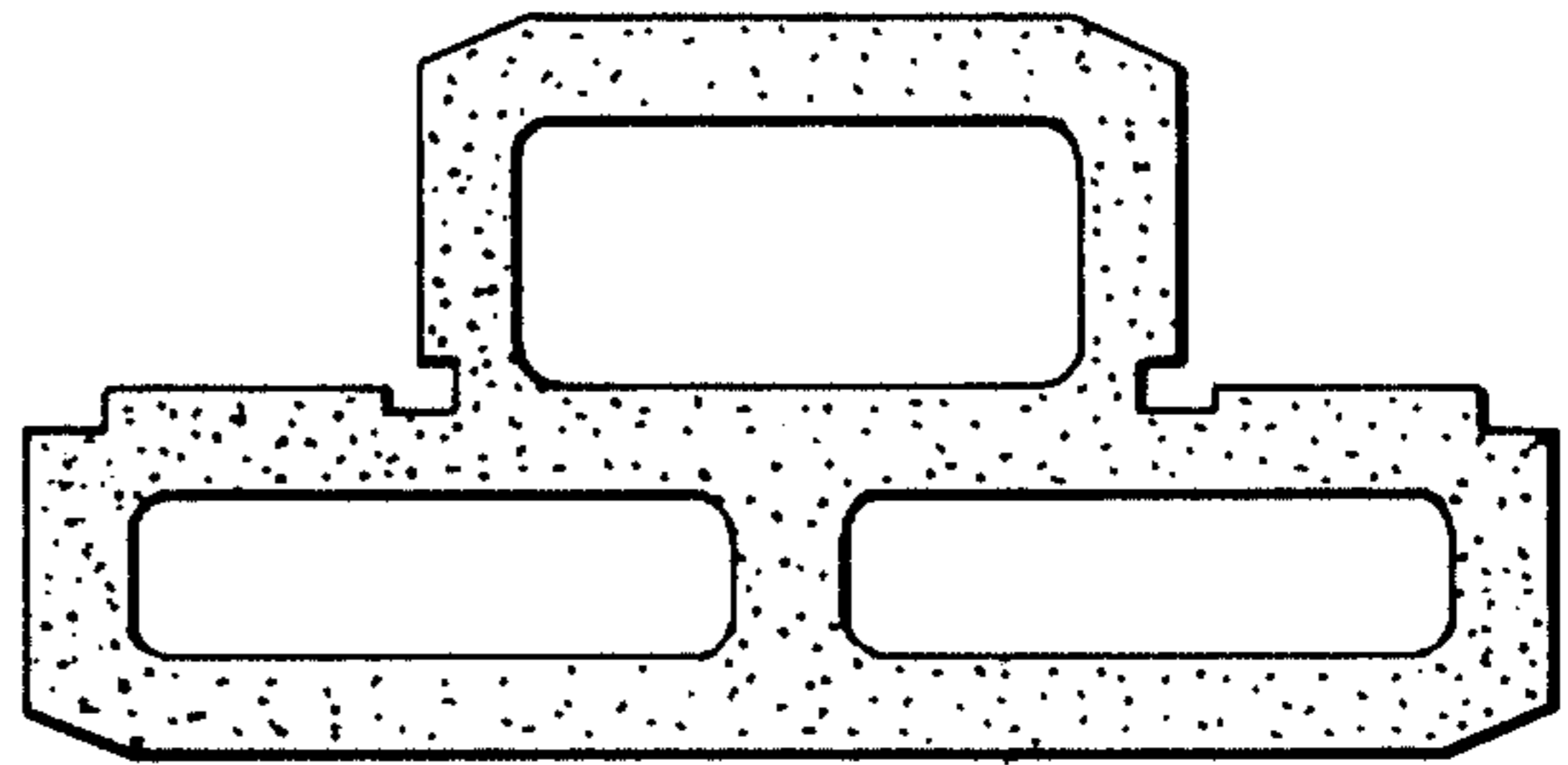


Fig. 14