

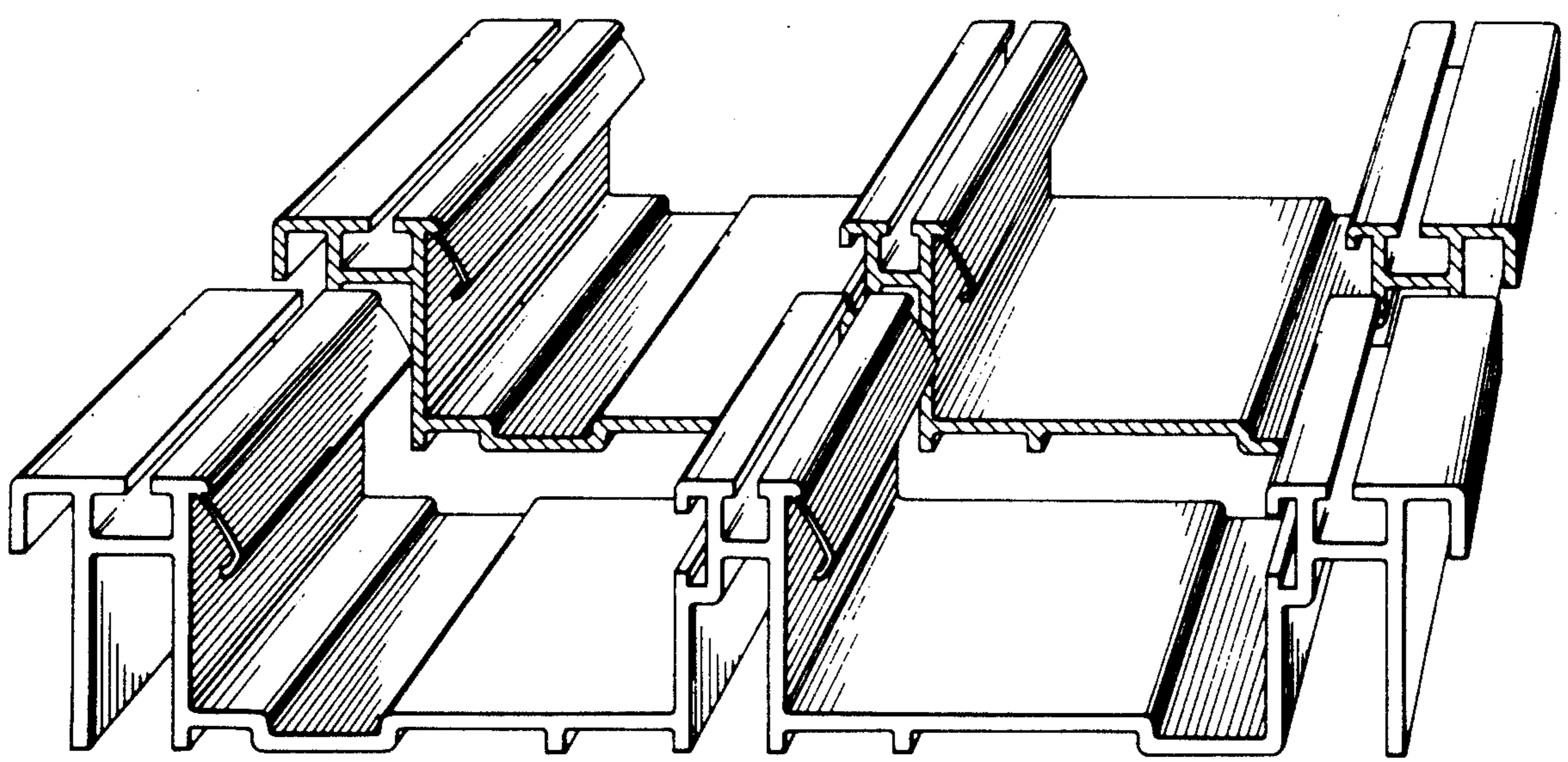
[54] **WINDOW COMPONENT EXTRUSION**
[75] **Inventor: Raymond Dallaire, Levis, Canada**
[73] **Assignee: P. H. Tech Inc., Quebec, Canada**
[**] **Term: 14 Years**
[21] **Appl. No.: 780,076**
[22] **Filed: Mar. 22, 1977**
[30] **Foreign Application Priority Data**
Sep. 22, 1976 [CA] Canada 2209761
[51] **Int. Cl. D25-01**
[52] **U.S. Cl. D25/74; D25/60**
[58] **Field of Search D25/1, 60, 73, 74, 75,**
D25/76, 77, 78, 79; 52/204, 716, 720-739;
49/413, 419, 504, DIG. 2

[56] **References Cited**
U.S. PATENT DOCUMENTS
D. 245,711 9/1977 Dallaire D25/74
3,383,801 5/1968 Dallaire 49/413 X
3,731,430 5/1973 Dallaire et al. 49/413 X
3,848,387 11/1974 Hafner D25/1 X

Primary Examiner—A. Hugo Word
Attorney, Agent, or Firm—John W. Malley

[57] **CLAIM**
The ornamental design for a window component extrusion, as shown.

DESCRIPTION
FIG. 1 is a broken perspective of one side of the extrusion, and
FIG. 2 is a corresponding broken perspective from the opposite side of the extrusion compared to FIG. 1.



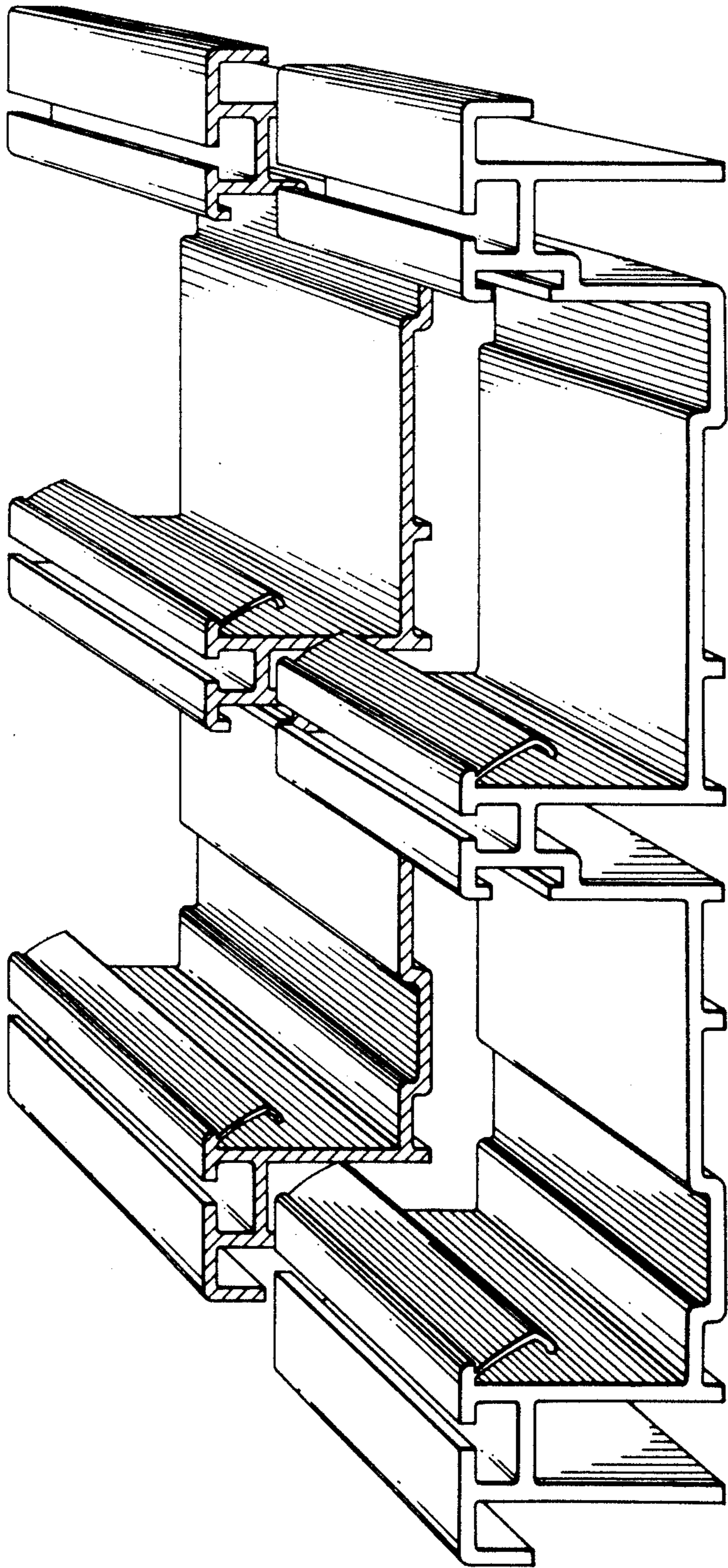


FIG. 1

