

[54] BUILDING

[76] Inventor: Robert H. Forstrom, Box 129, N. Hackensack Station, River Edge, N.J. 07661

[**] Term: 14 Years

[21] Appl. No.: 729,792

[22] Filed: Oct. 5, 1976

[51] Int. Cl. D25-03

[52] U.S. Cl. D25/23; D25/6; D25/22; D25/31

[58] Field of Search D25/1, 5, 6, 13, 17, D25/18, 19, 22, 23, 31, 32, 33; 52/73

[56]

References Cited

U.S. PATENT DOCUMENTS

D. 206,060	10/1966	Kobler	D25/31 X
D. 220,947	6/1971	Bartoli	D25/23
D. 227,238	6/1973	Wheeler	D25/18
3,514,909	6/1971	Nevarez	52/73
3,600,865	8/1971	Vanich	52/73

Primary Examiner—A. Hugo Word

Attorney, Agent, or Firm—Edward J. Handler, III

[57]

CLAIM

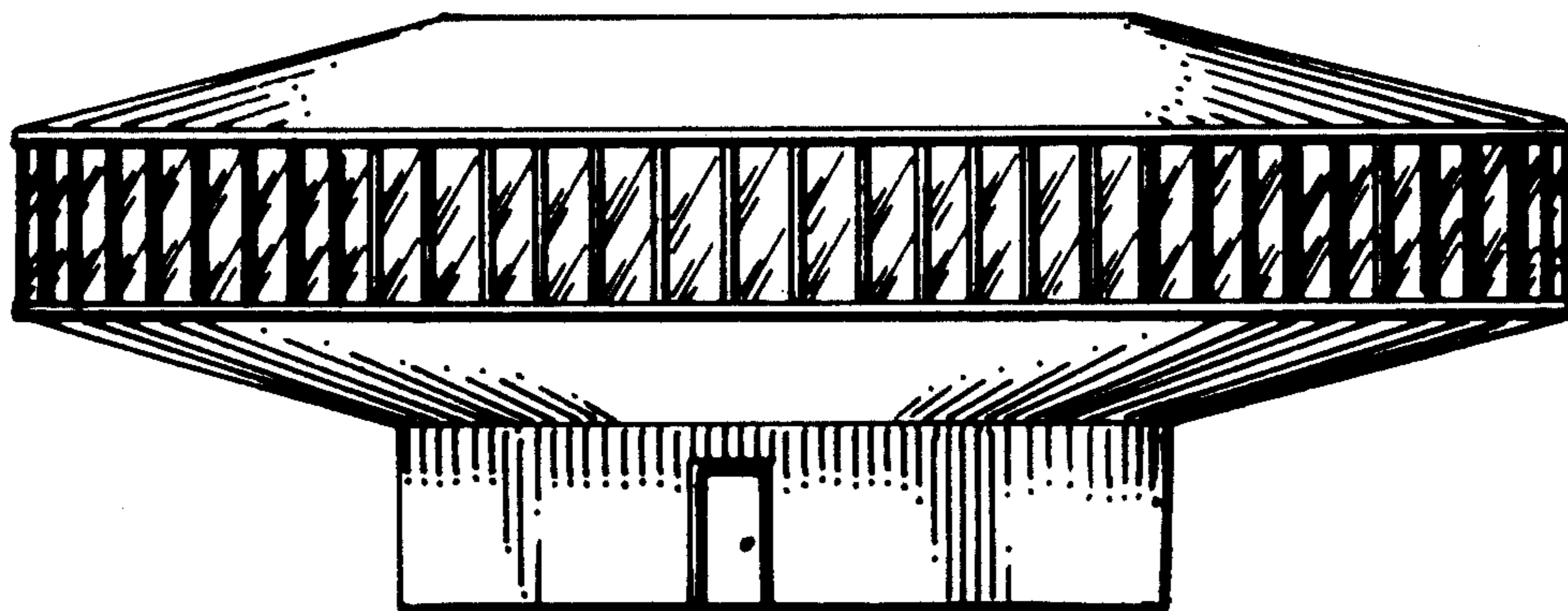
The ornamental design for a building, as shown and described.

DESCRIPTION

FIG. 1 is an elevational view of a building showing my new design;

FIG. 2 is a top plan view; and

FIG. 3 is a bottom plan view thereof.



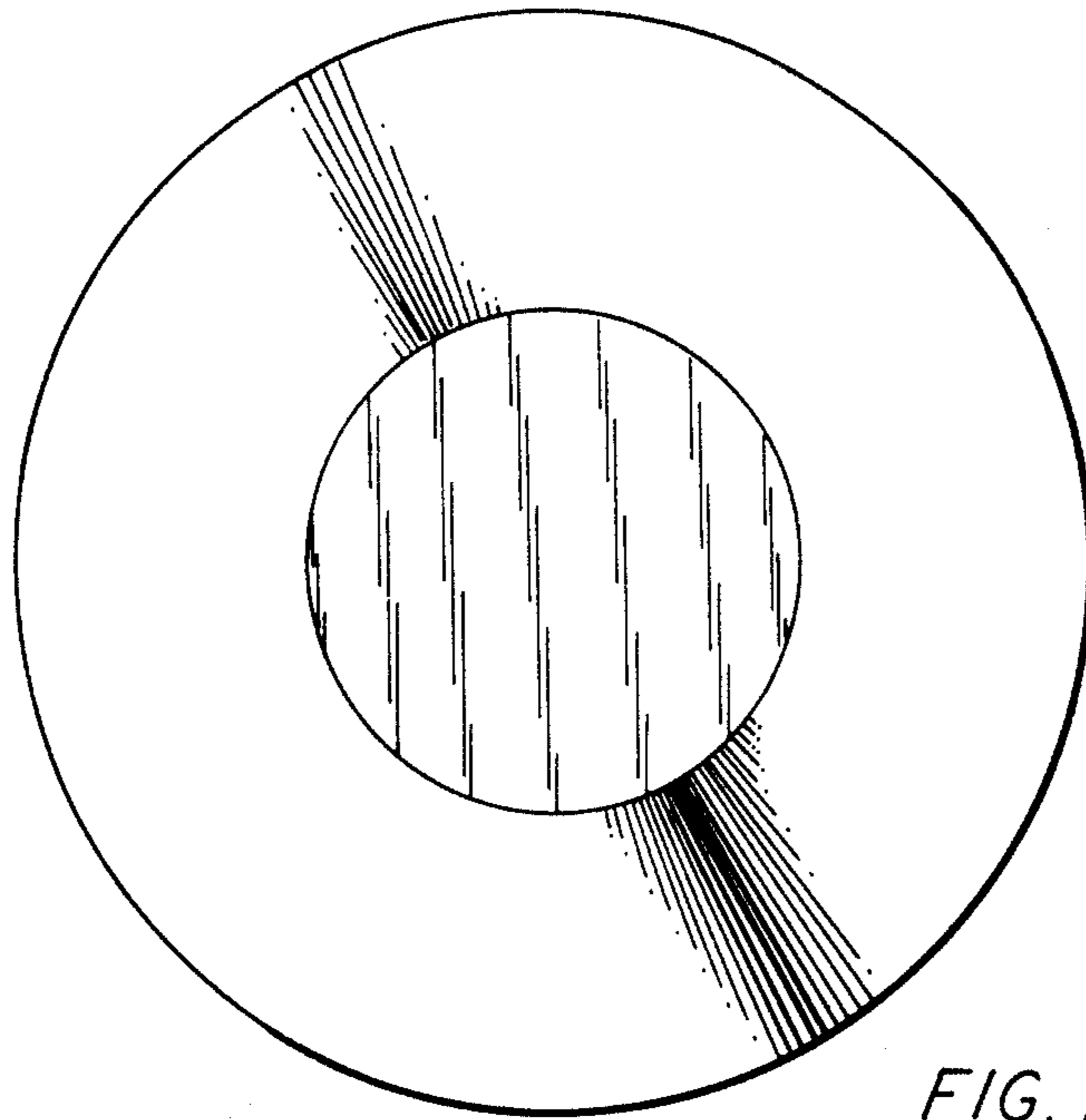


FIG. 2

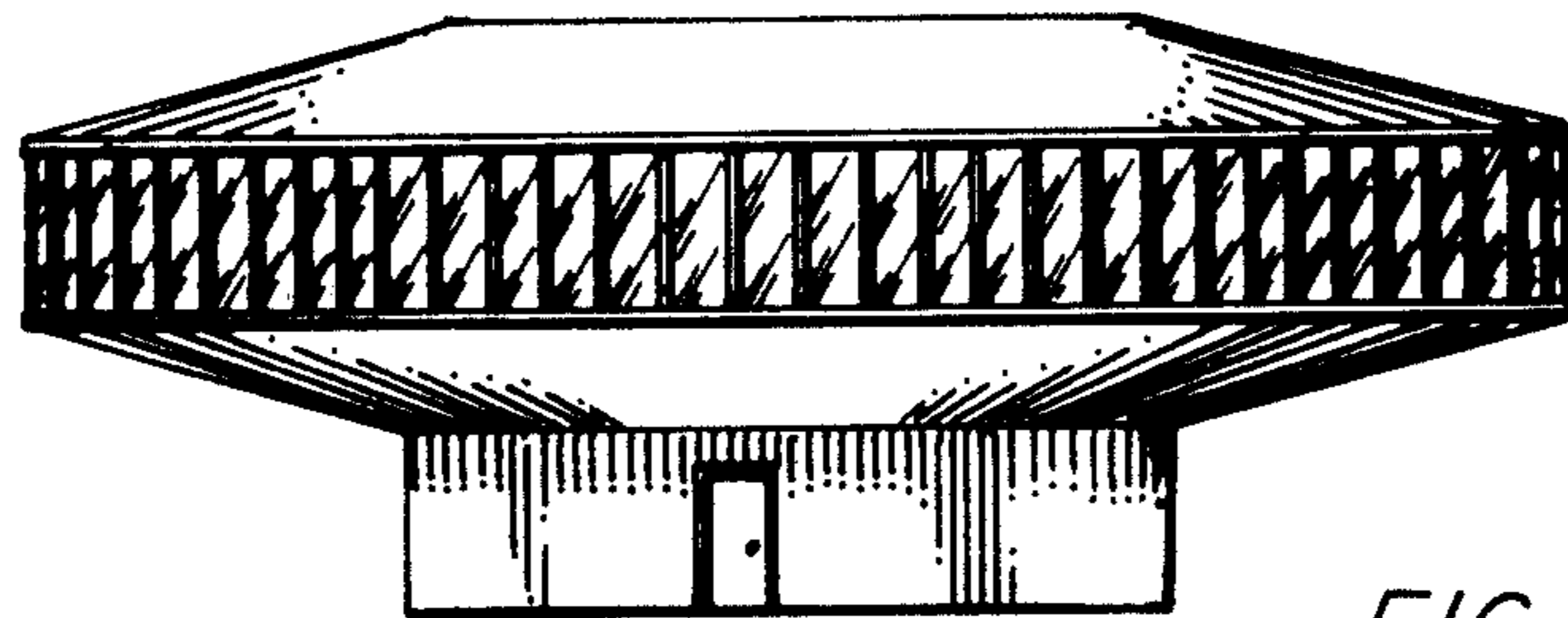


FIG. 1

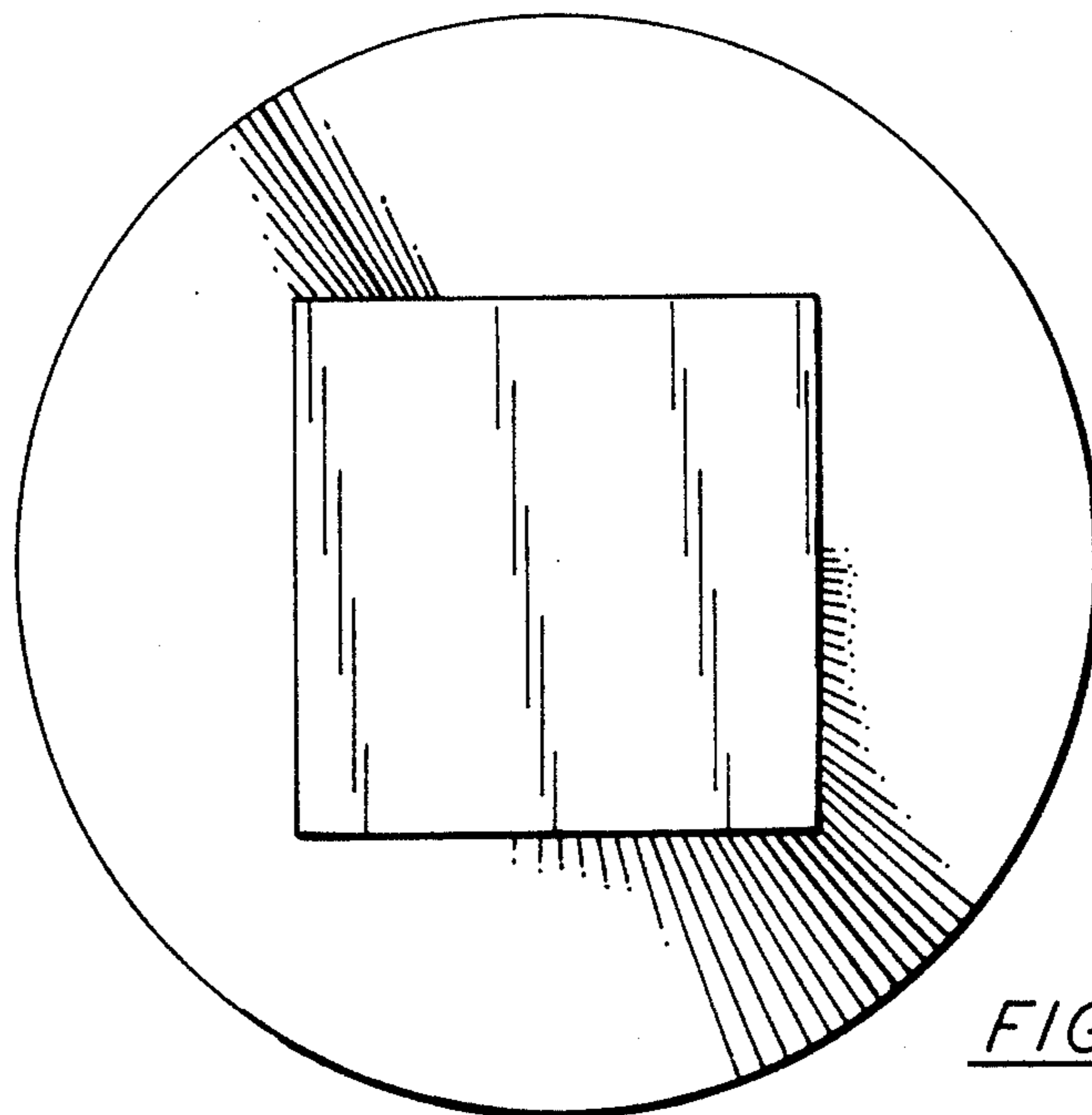


FIG. 3