

[54] **HAND-HELD VIEWER FOR NAVIGATIONAL CHARTS OR THE LIKE**

[75] Inventor: **DeForrest A. Olson, deceased**, late of Seattle, Wash., by Emilline M. Olson, administratrix

[73] Assignee: **Charles J. Barkee**, San Rafael, Calif.

[**] Term: **14 Years**

[21] Appl. No.: **619,659**

[22] Filed: **Oct. 6, 1975**

[51] Int. Cl. **D16-04**

[52] U.S. Cl. **D16/54**

[58] Field of Search **D16/54; 40/63; 350/238, 350/237, 235; 240/6.4 R, 10.5, 2 M**

[56] **References Cited**

U.S. PATENT DOCUMENTS

D. 239,055	3/1976	Holliday	D16/54
2,169,786	8/1939	Baum	350/238

2,211,559	8/1940	Erickson	350/238 X
2,737,741	3/1956	Rice	350/237 X
2,787,070	4/1957	Idoine	350/238 X
3,945,717	3/1976	Ryder et al.	350/236

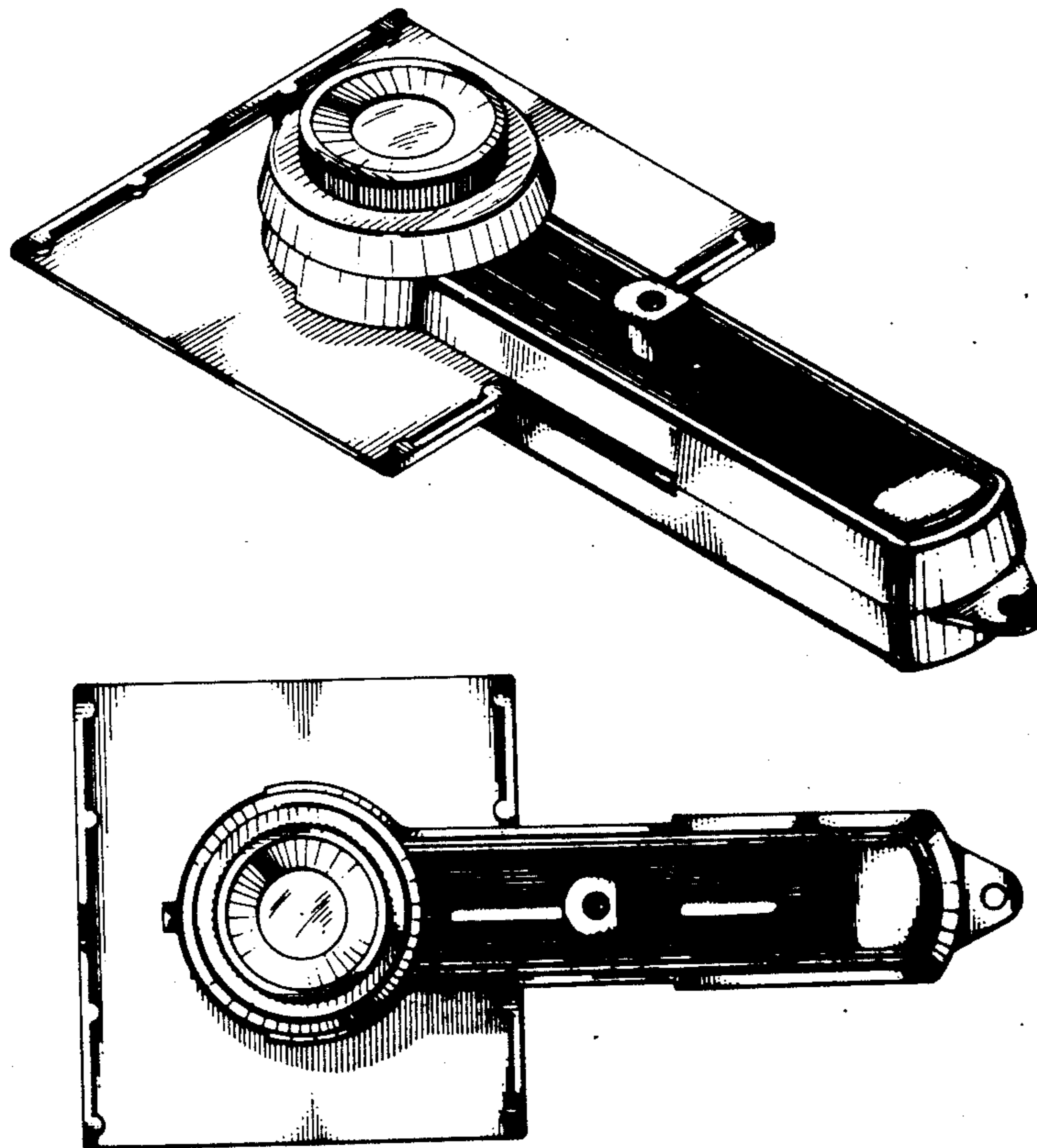
Primary Examiner—Bernard Ansher
Attorney, Agent, or Firm—Thomas W. Secrest

[57] **CLAIM**

The ornamental design for a hand-held viewer for navigational charts or the like, as shown and described.

DESCRIPTION

FIG. 1 is a isometric view of a hand-held viewer for navigational charts or the like showing my new design; FIG. 2 is a top plan view thereof; FIG. 3 is a side elevational thereof; the opposite side being a mirror image of the side shown; FIG. 4 is a bottom plan view thereof; FIG. 5 is an end elevational as seen from the left of FIG. 1; and, FIG. 6 is an end elevation as seen from the right of FIG. 1.



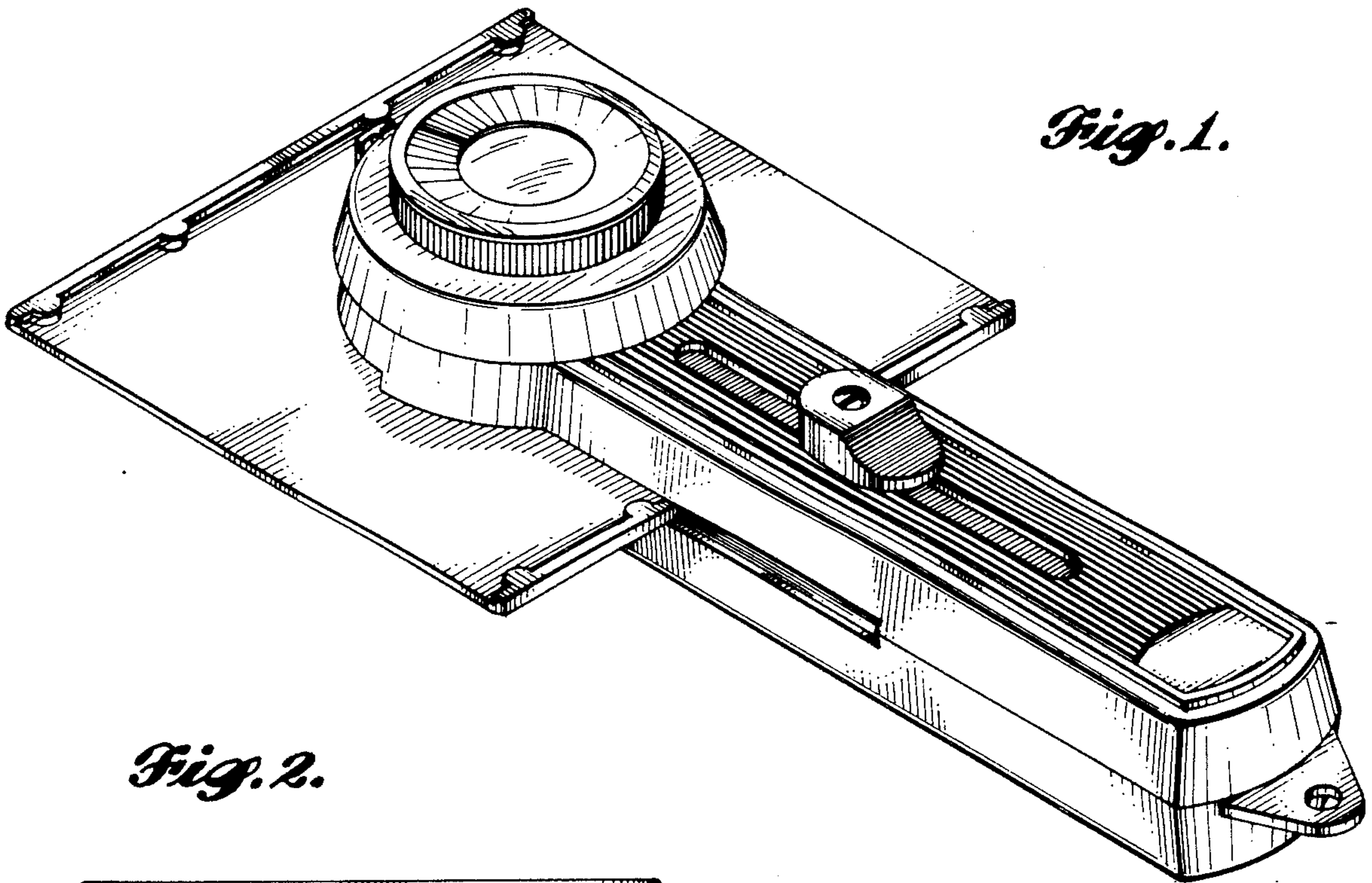


Fig. 2.

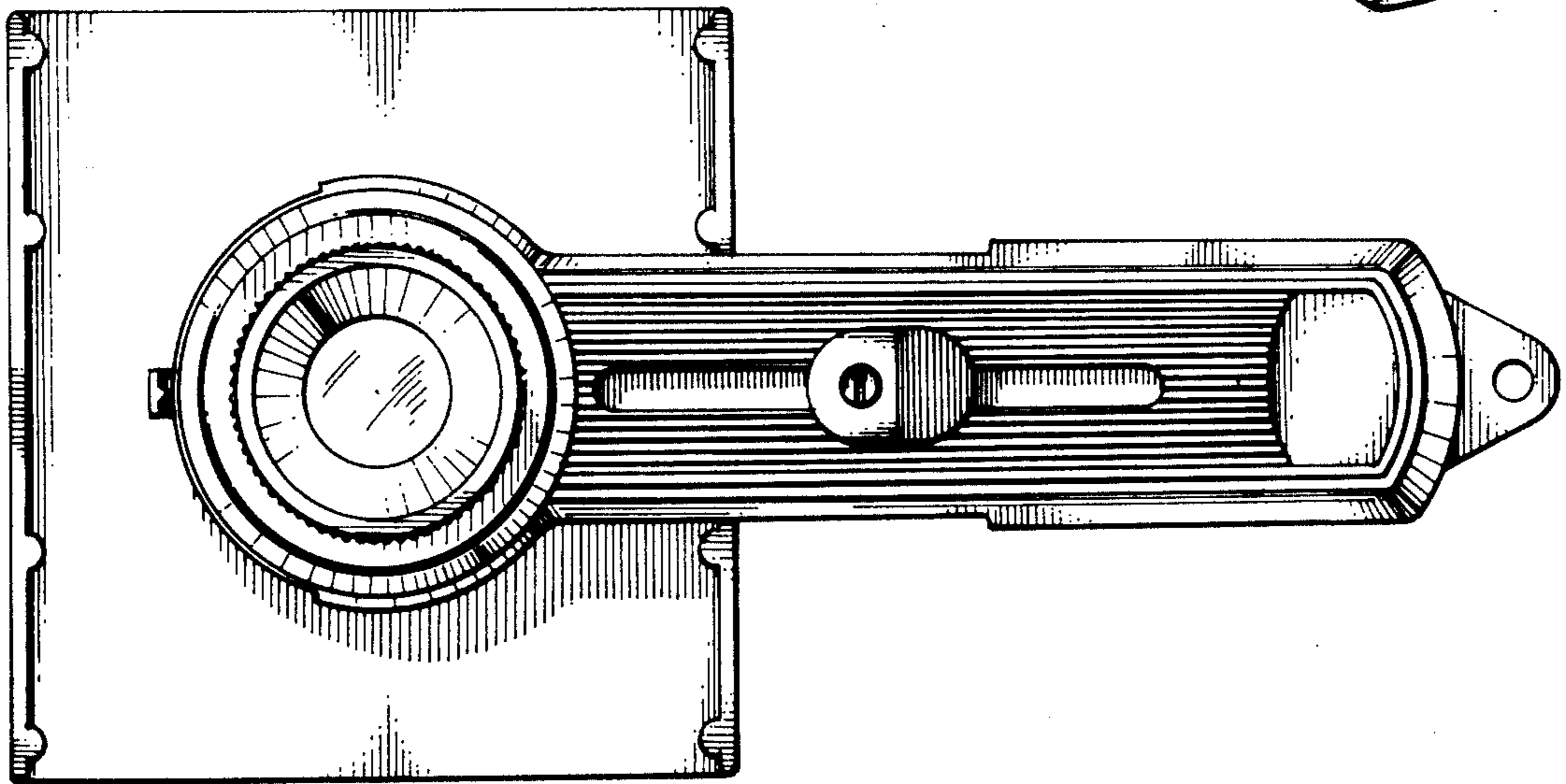
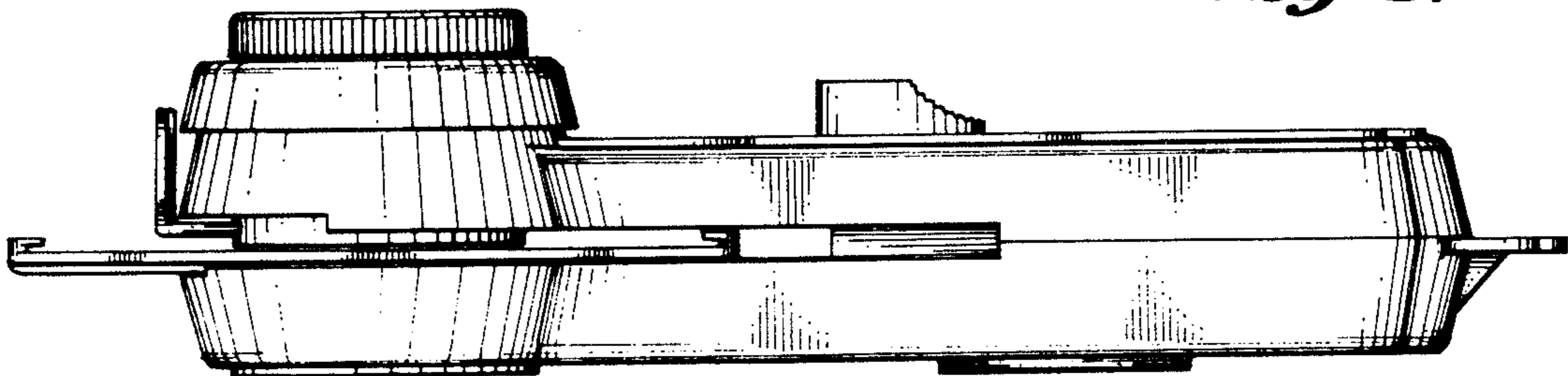


Fig. 3.



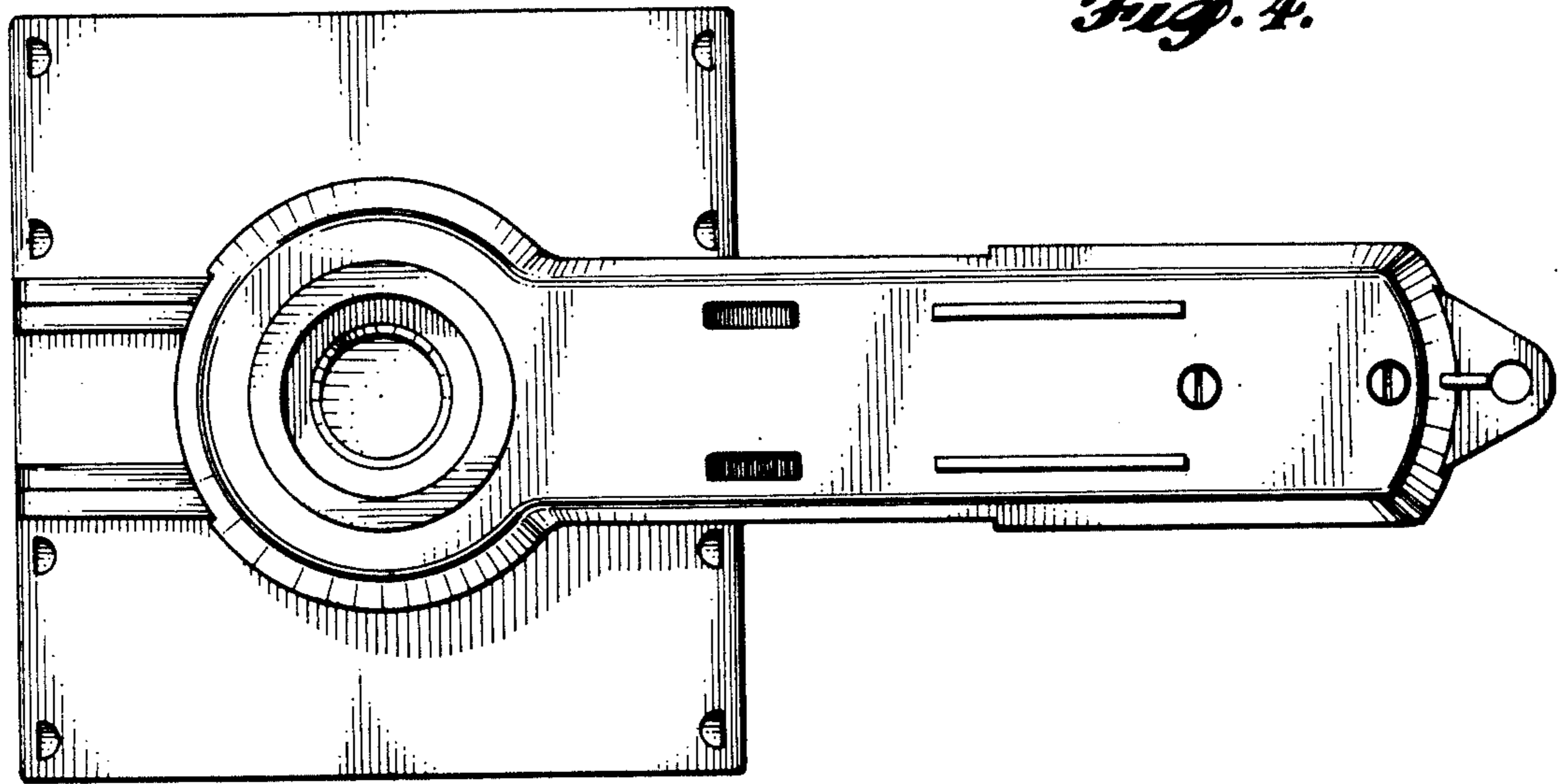


Fig. 4.

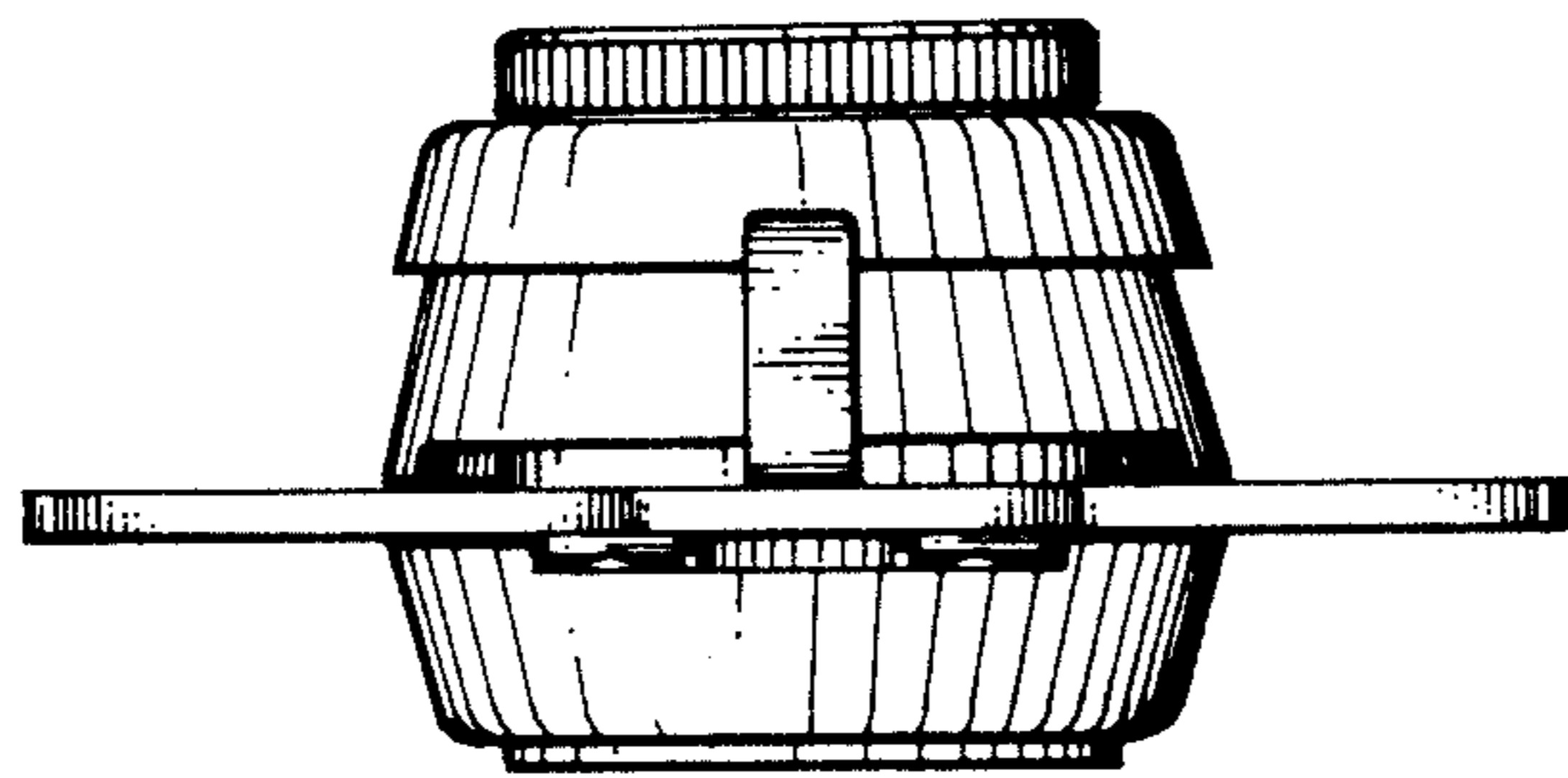


Fig. 5.

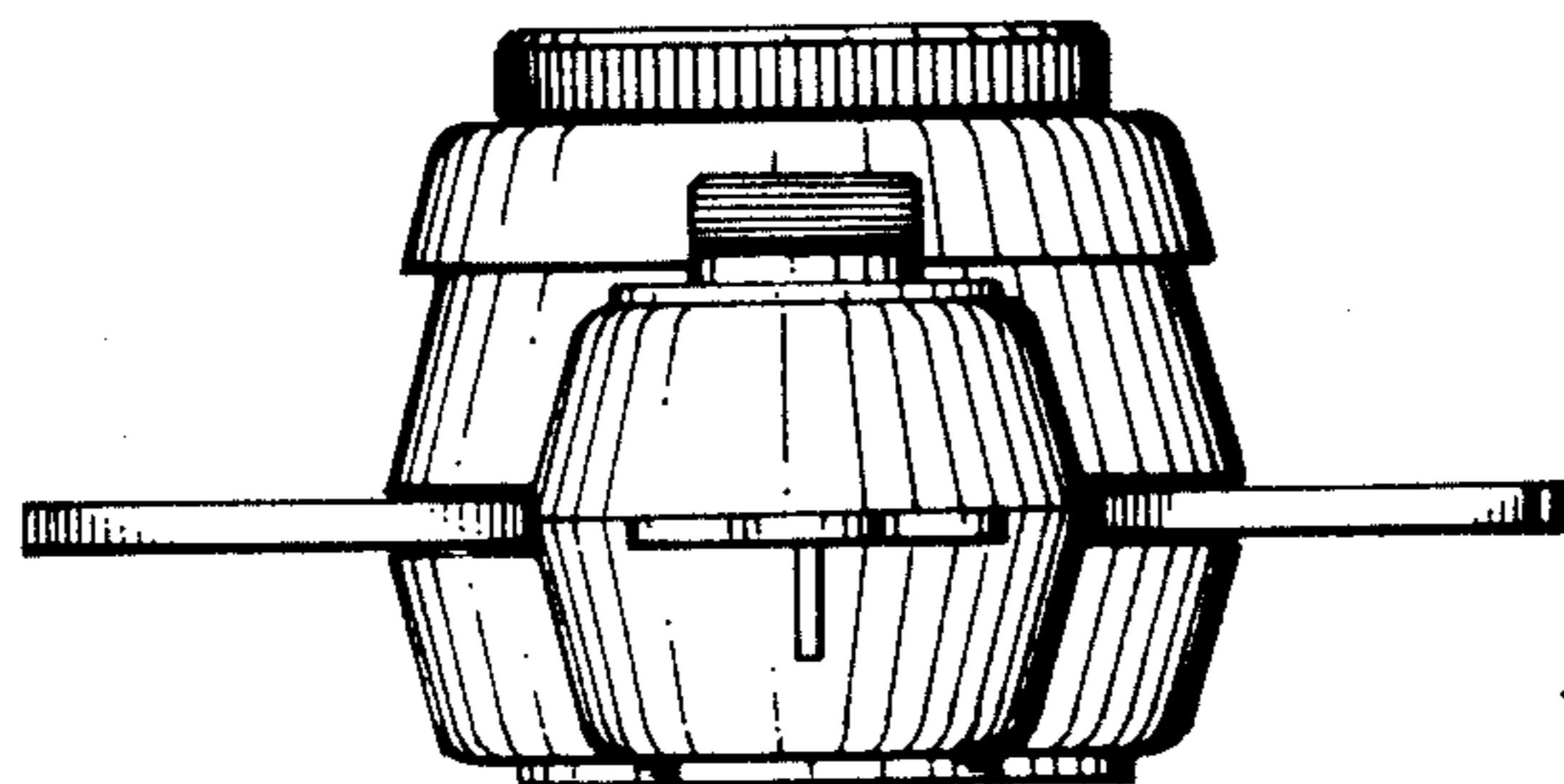


Fig. 6.