

[54] MULTI-CELL BATTERY CHARGER

[75] Inventors: William T. Kelly, III, Wilton, Conn.; Francis Stahl, Rocky River, Ohio

[73] Assignee: Union Carbide Corporation, New York, N.Y.

[**] Term: 14 Years

[21] Appl. No.: 766,385

[22] Filed: Feb. 7, 1977

[51] Int. Cl. D13-02

[52] U.S. Cl. D13/5

[58] Field of Search D13/4, 5, 6, 8; 320/2, 320/3, 6

References Cited

U.S. PATENT DOCUMENTS

D. 240,433	7/1976	Krapowicz	D13/6
3,183,891	5/1965	MacDonald	320/2 X
3,473,859	10/1969	Kirchir	320/2 X
3,710,224	1/1973	Daniels	320/2

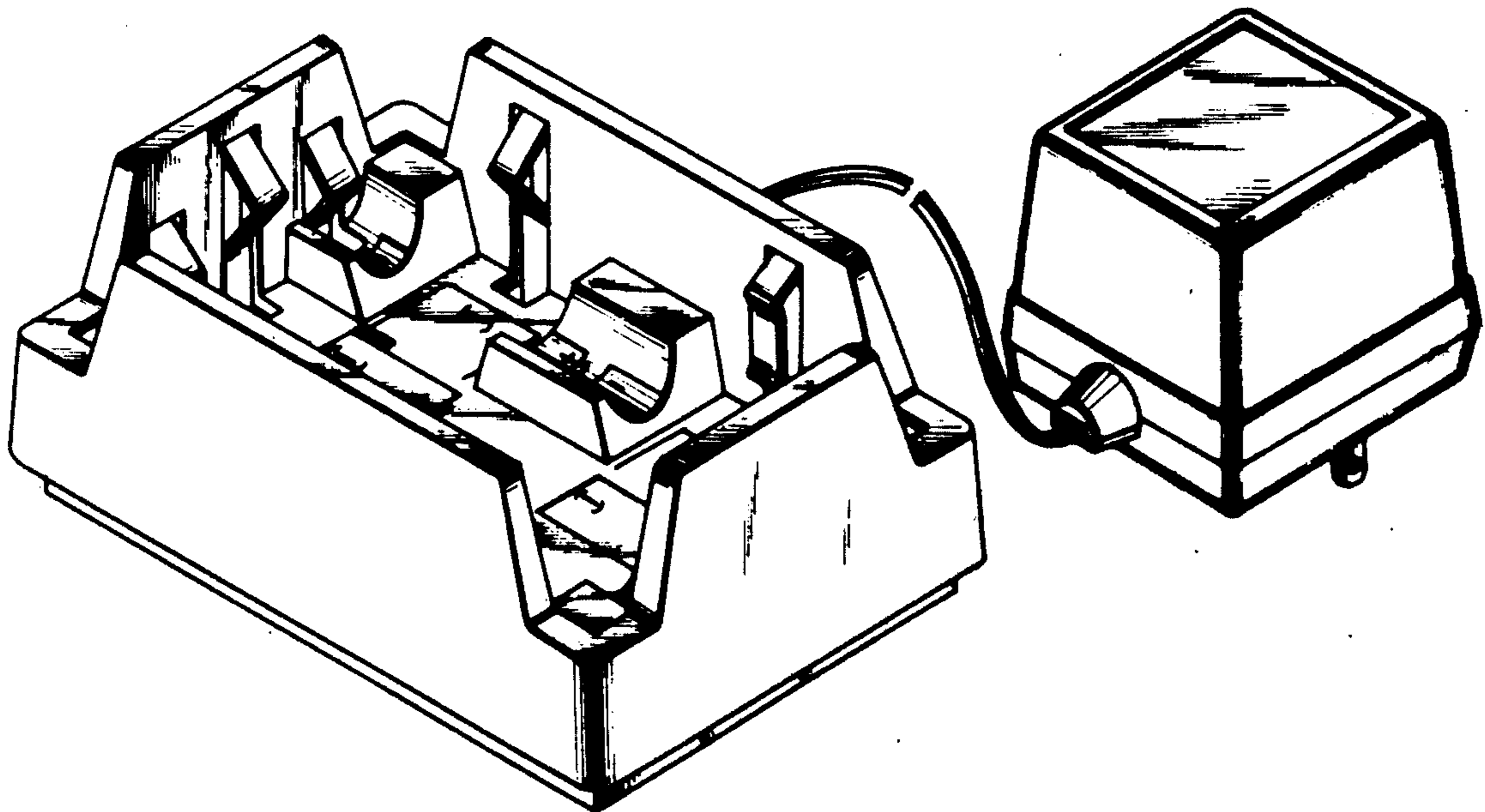
Primary Examiner—Susan J. Lucas
Attorney, Agent, or Firm—James C. Arvantes

[57] CLAIM

The ornamental design for a multi-cell battery charger, as shown.

DESCRIPTION

FIG. 1 is a perspective view of the multi-cell battery charger showing our new design;
 FIG. 2 is a top plane view of the battery holder forming a part of the multi-cell battery charger;
 FIG. 3 is a side elevational view of the battery holder;
 FIG. 4 is a rear elevational view of the battery holder;
 FIG. 5 is a top plane view of the electrical plug member of the multi-cell battery charger;
 FIG. 6 is a side elevational view of the electrical plug member;
 FIG. 7 is a front elevational view of the electrical plug member; and
 FIG. 8 is a bottom plane view of the multi-cell battery charger.



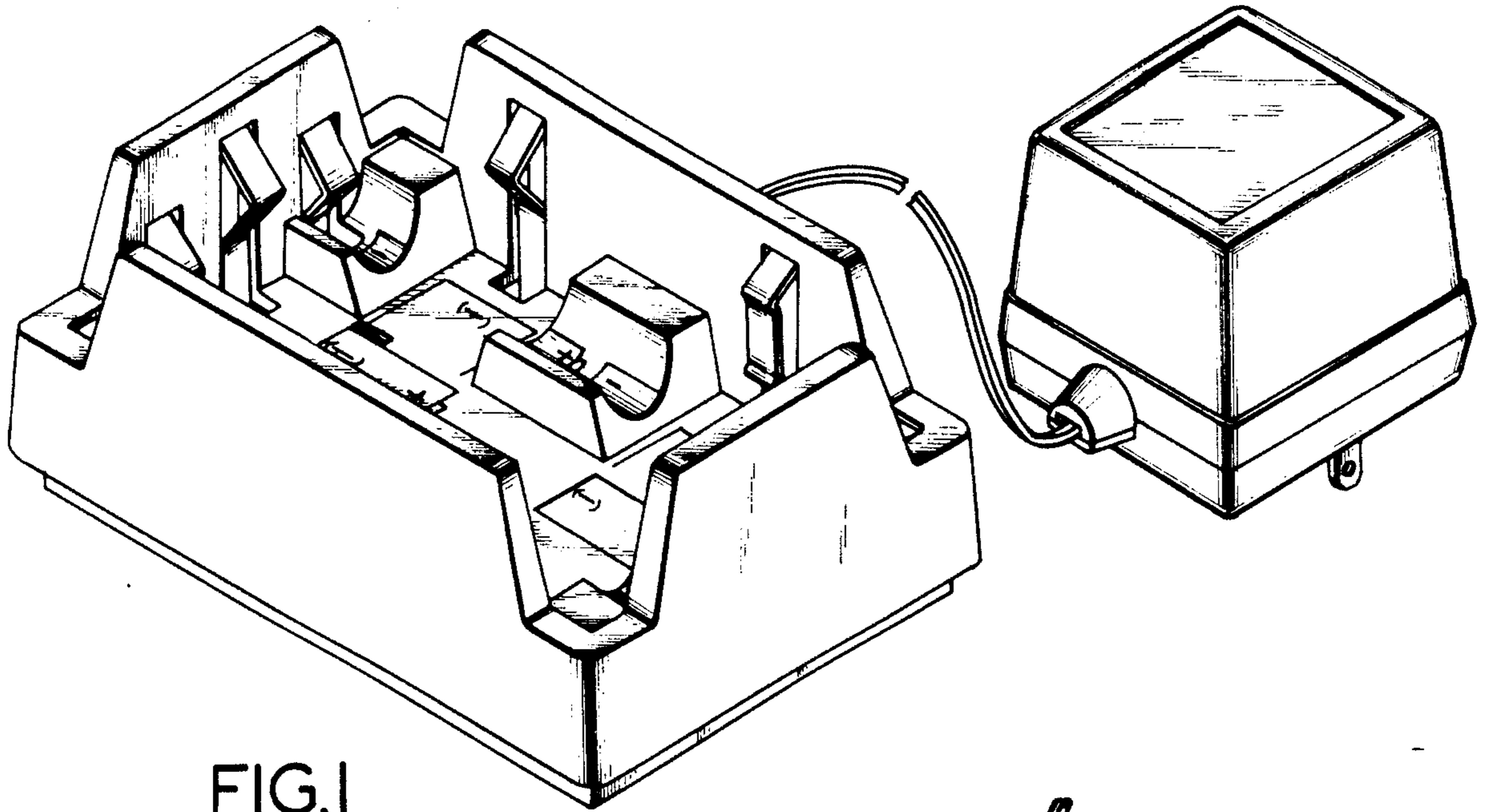


FIG. 1

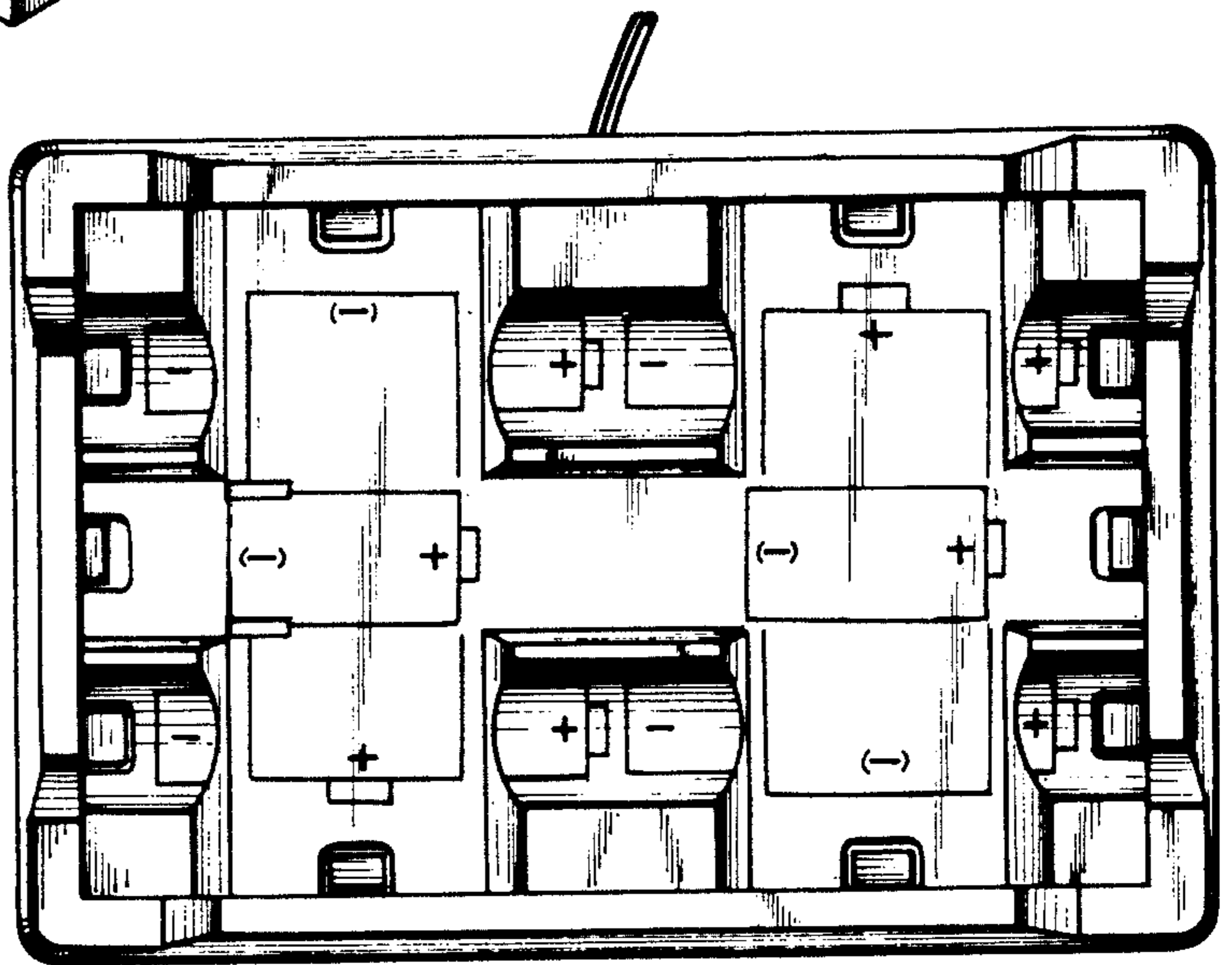


FIG. 2

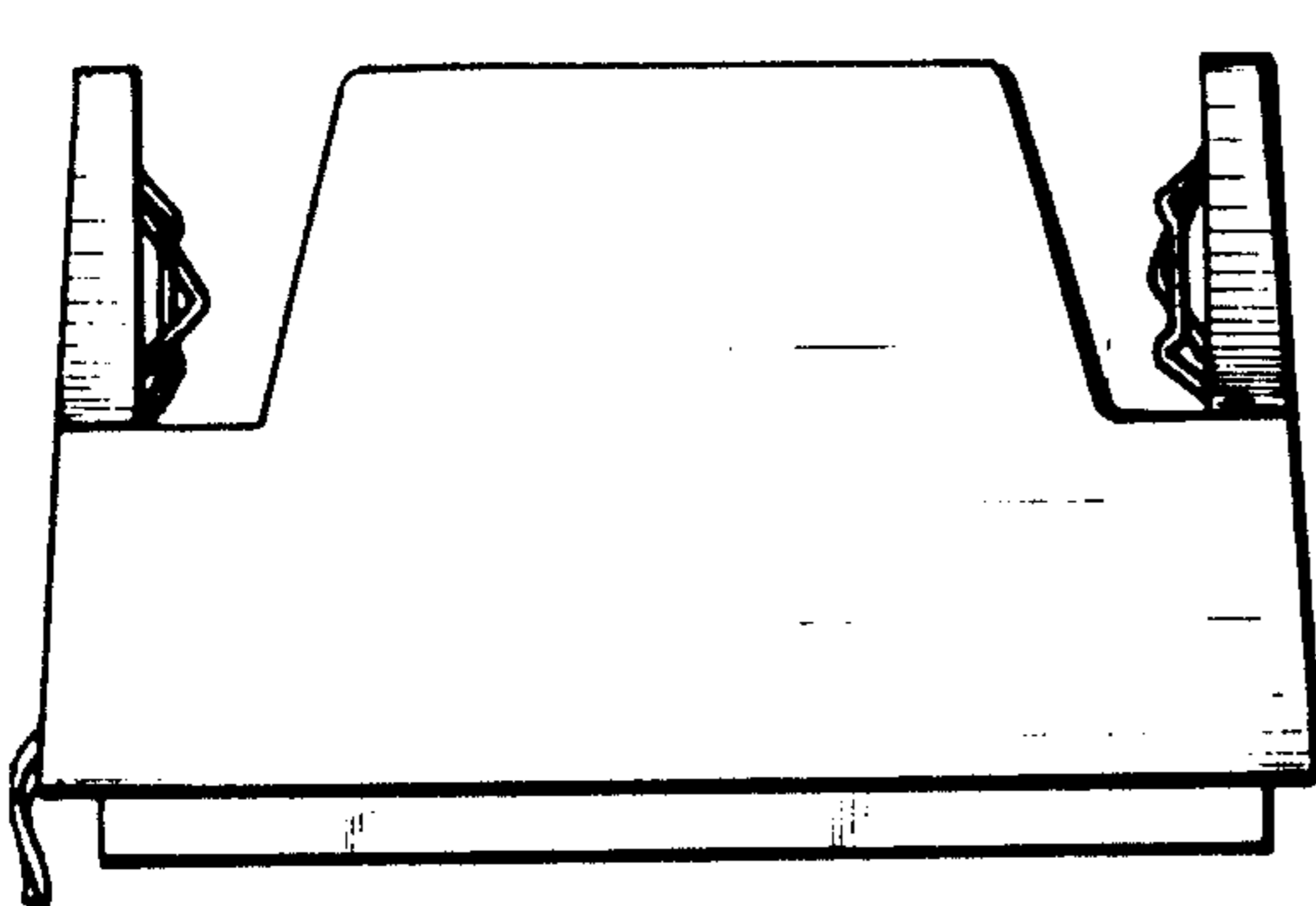


FIG. 3

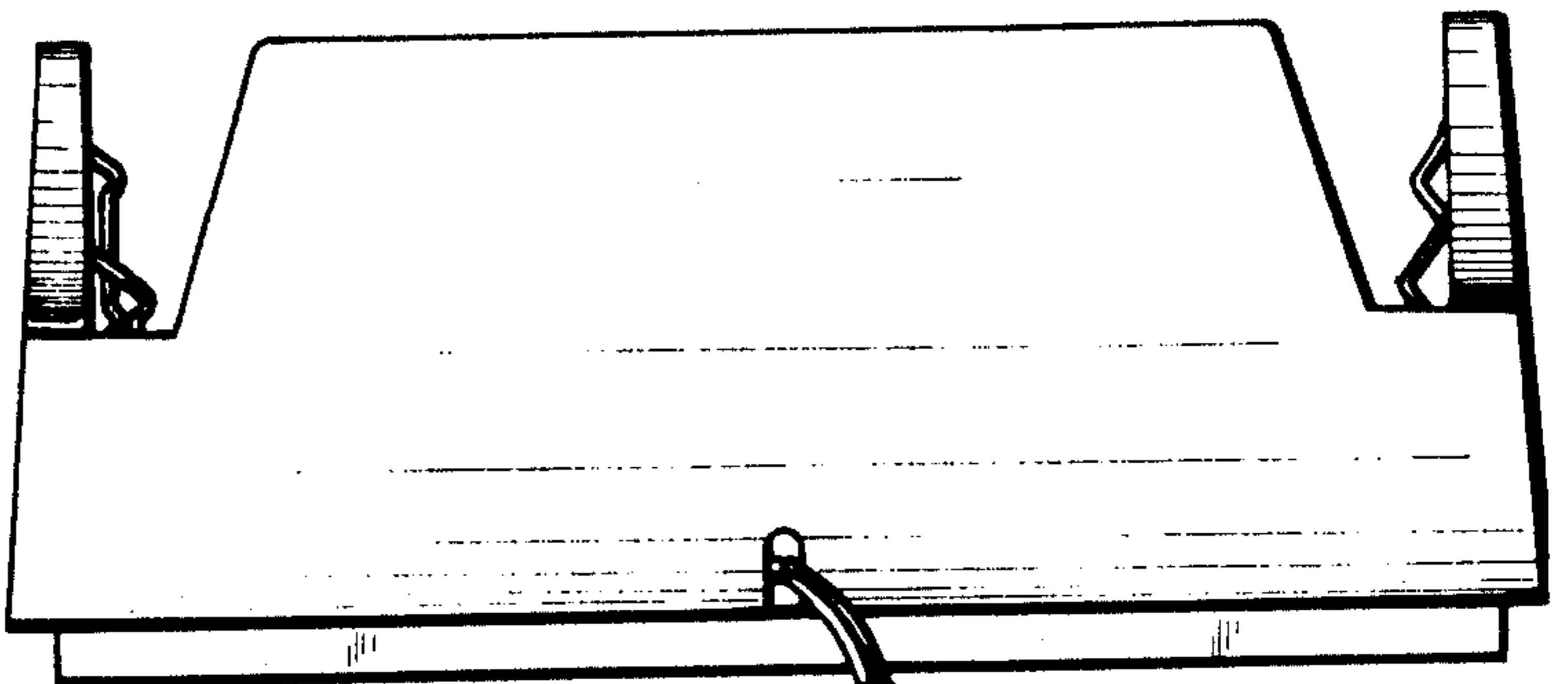


FIG. 4

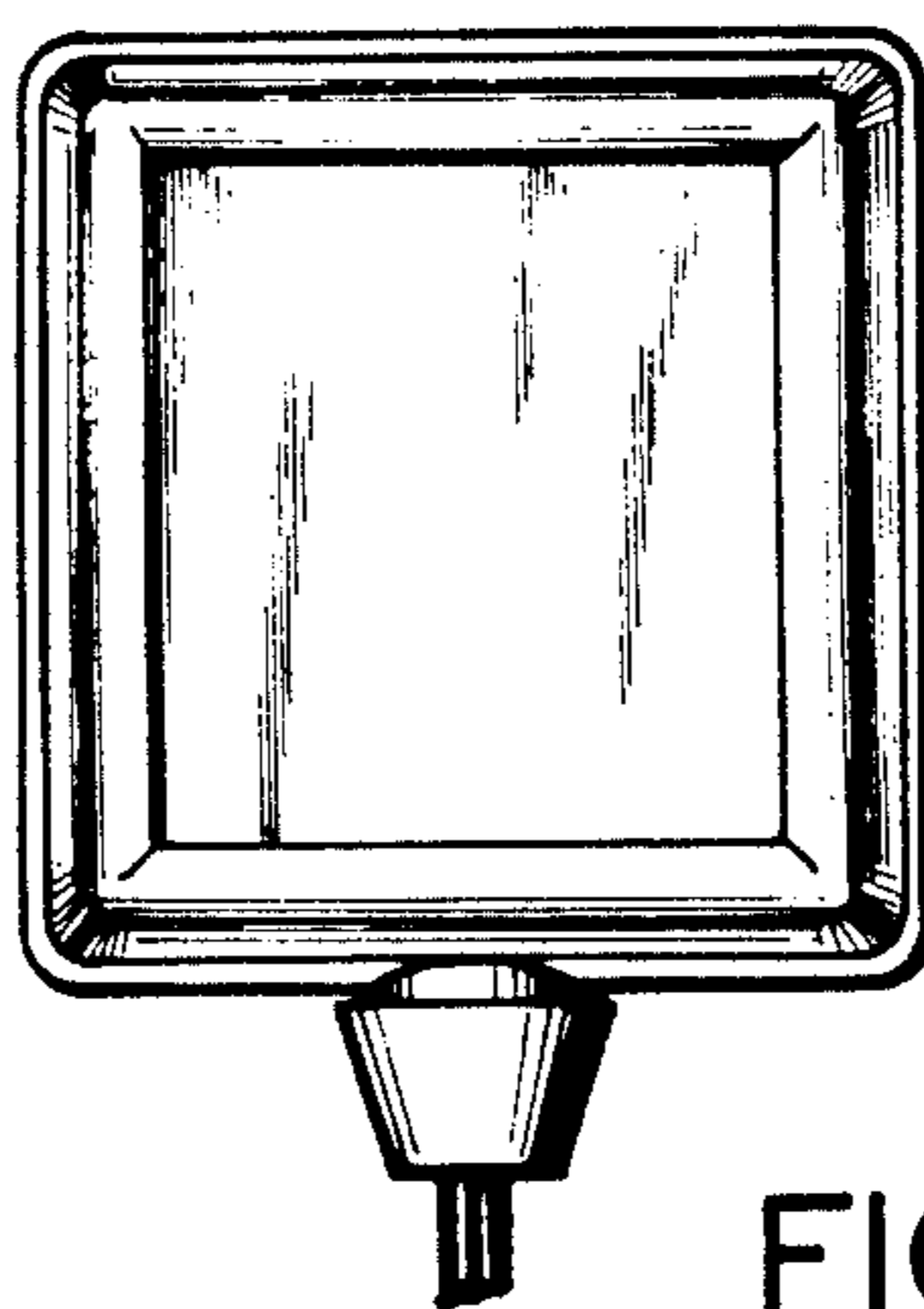


FIG. 5

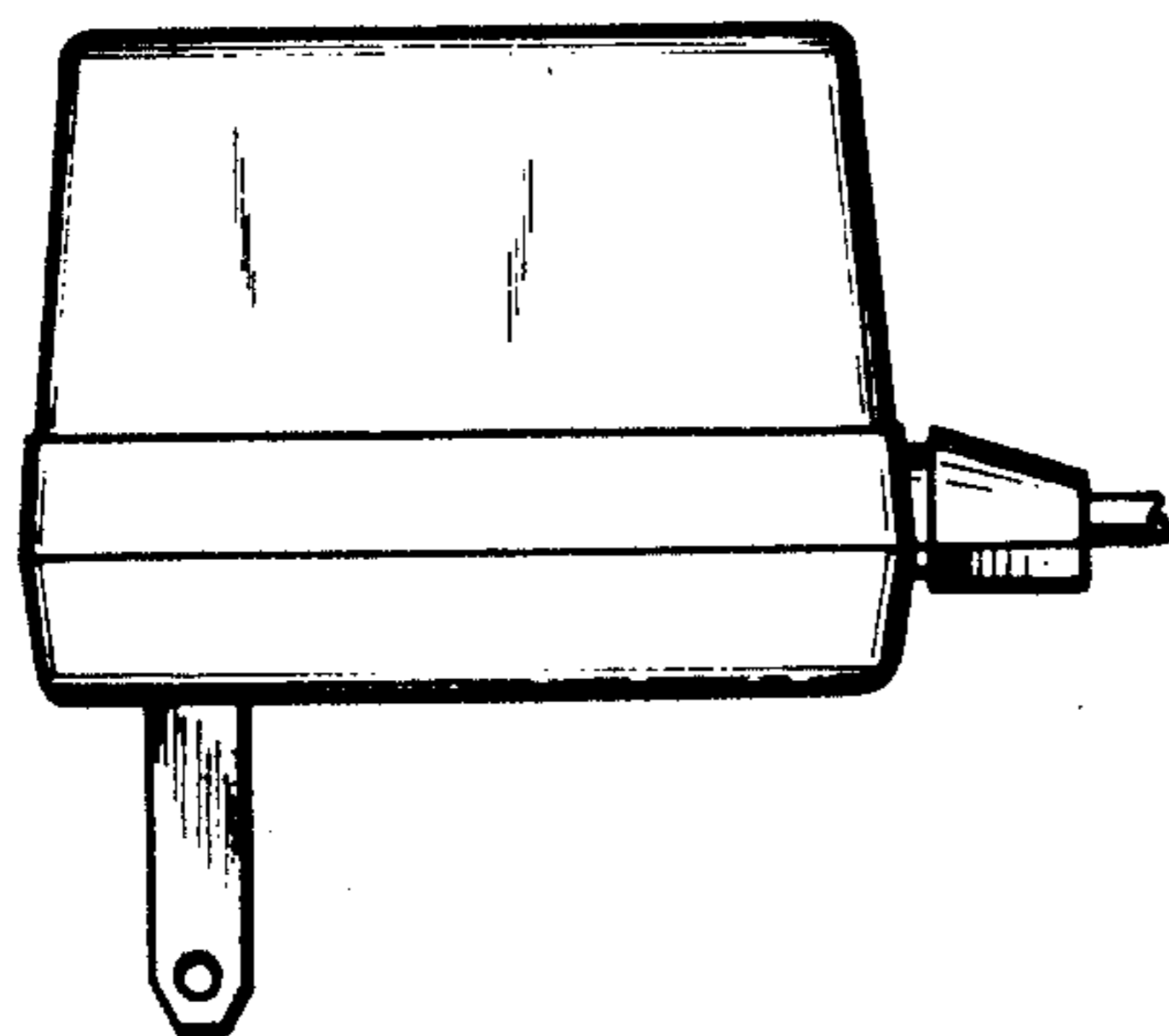


FIG. 6

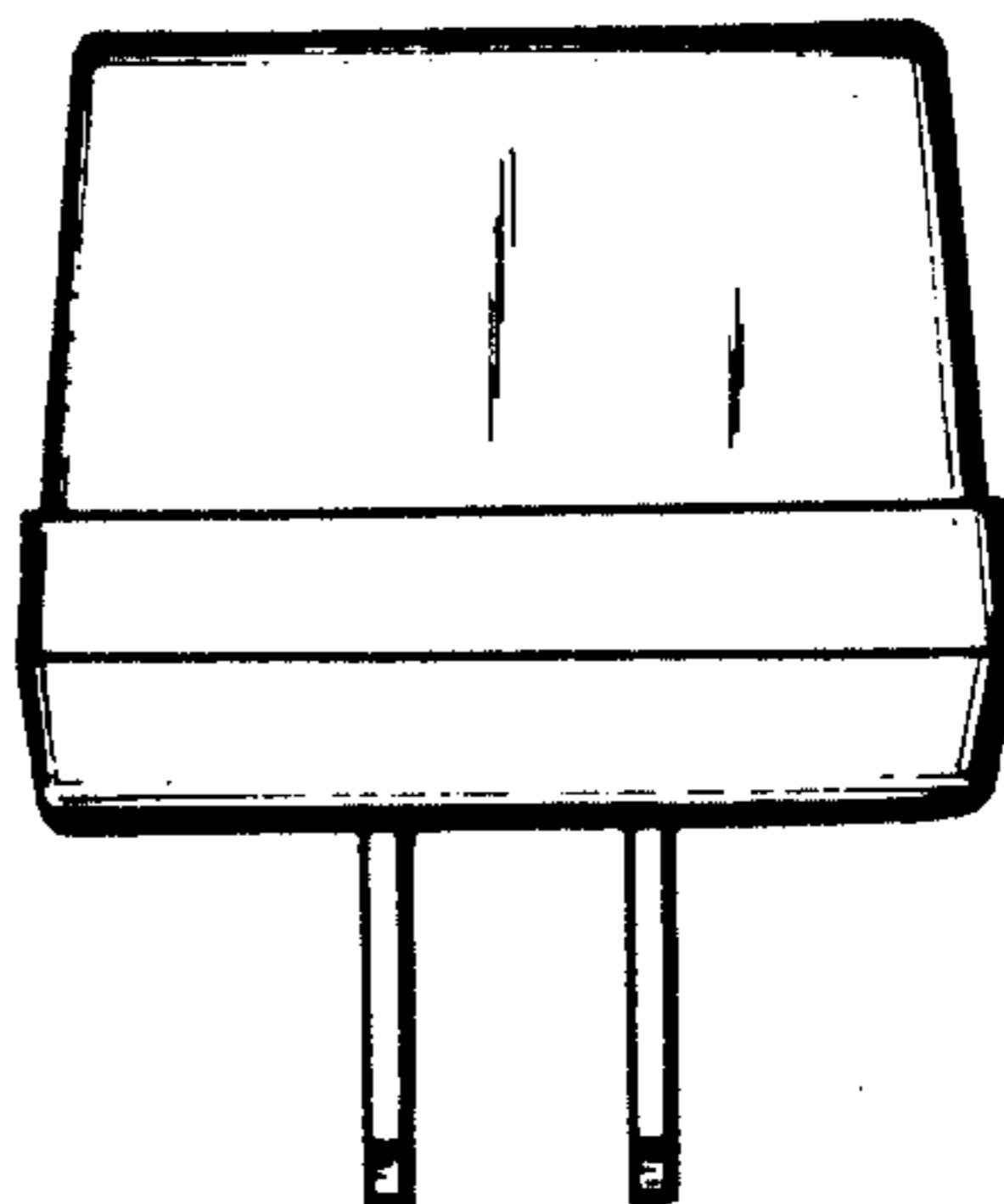


FIG. 7

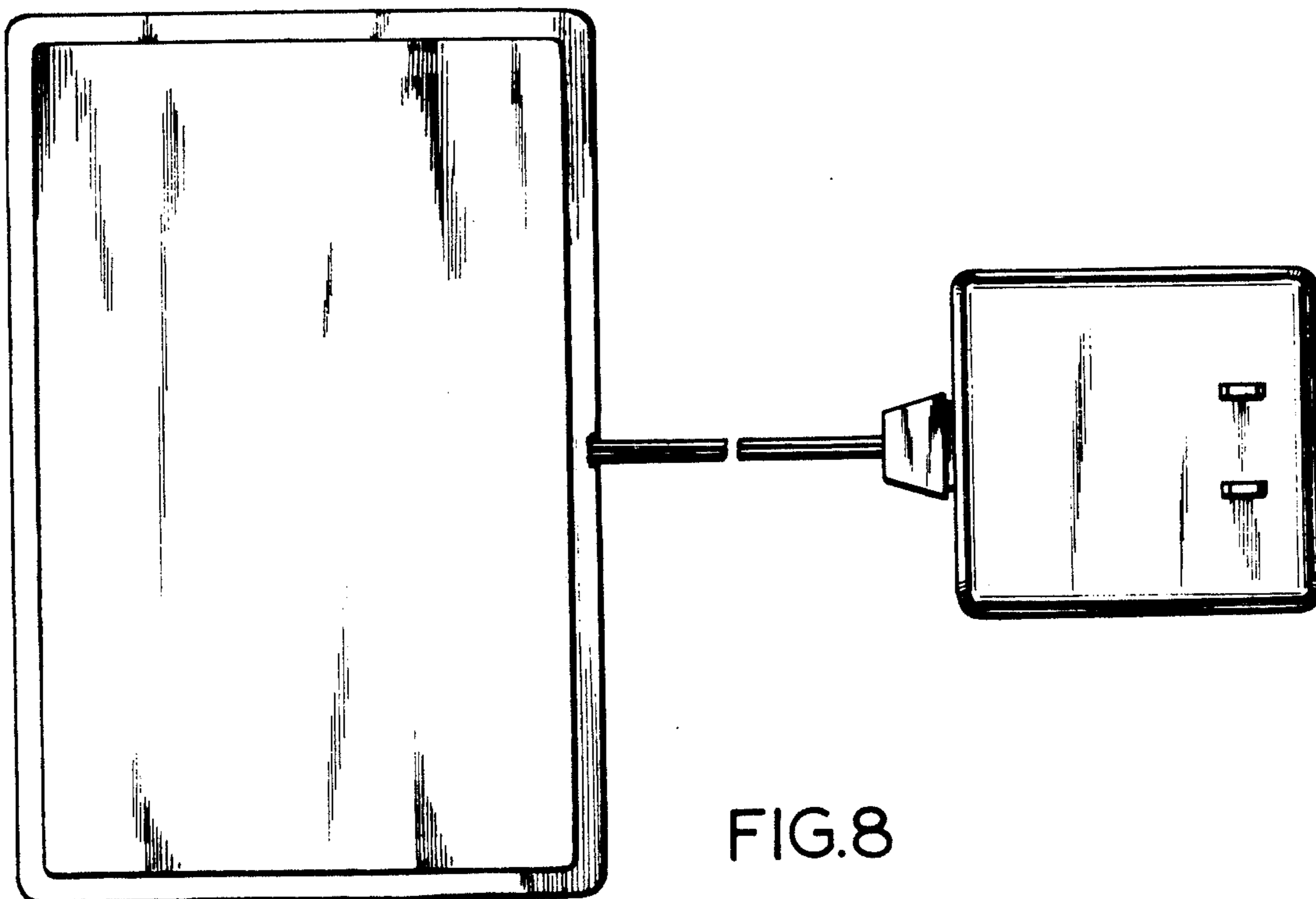


FIG. 8