

[54] VISE GRIP CLAMP FOR STRINGING RACQUETS

2,032,217 2/1936 Matthews 273/73 B
4,049,268 9/1977 Ray 273/73 A

[76] Inventors: Donald A. Chartier, 88 Walnut St., Nashua, N.H. 03060; Richard Janes, 4E Pine Isle Dr., Derry, N.H. 03038

Primary Examiner—Alan P. Douglas
Attorney, Agent, or Firm—John H. Pearson

[**] Term: 14 Years

[21] Appl. No.: 756,763

[22] Filed: Jan. 5, 1977

[51] Int. Cl. D8—05

[52] U.S. Cl. D8/52

[58] Field of Search D8/52, 23; 273/73 A, 273/73 B

[57] CLAIM

The ornamental design for a vise grip clamp for stringing racquets, substantially as shown and described.

DESCRIPTION

FIG. 1 is a front elevational of a vise grip clamp for stringing racquets;

FIG. 2 is a side elevational view of a vise grip clamp for stringing racquets depicted in FIG. 1;

FIG. 3 is a rear elevational view thereof.

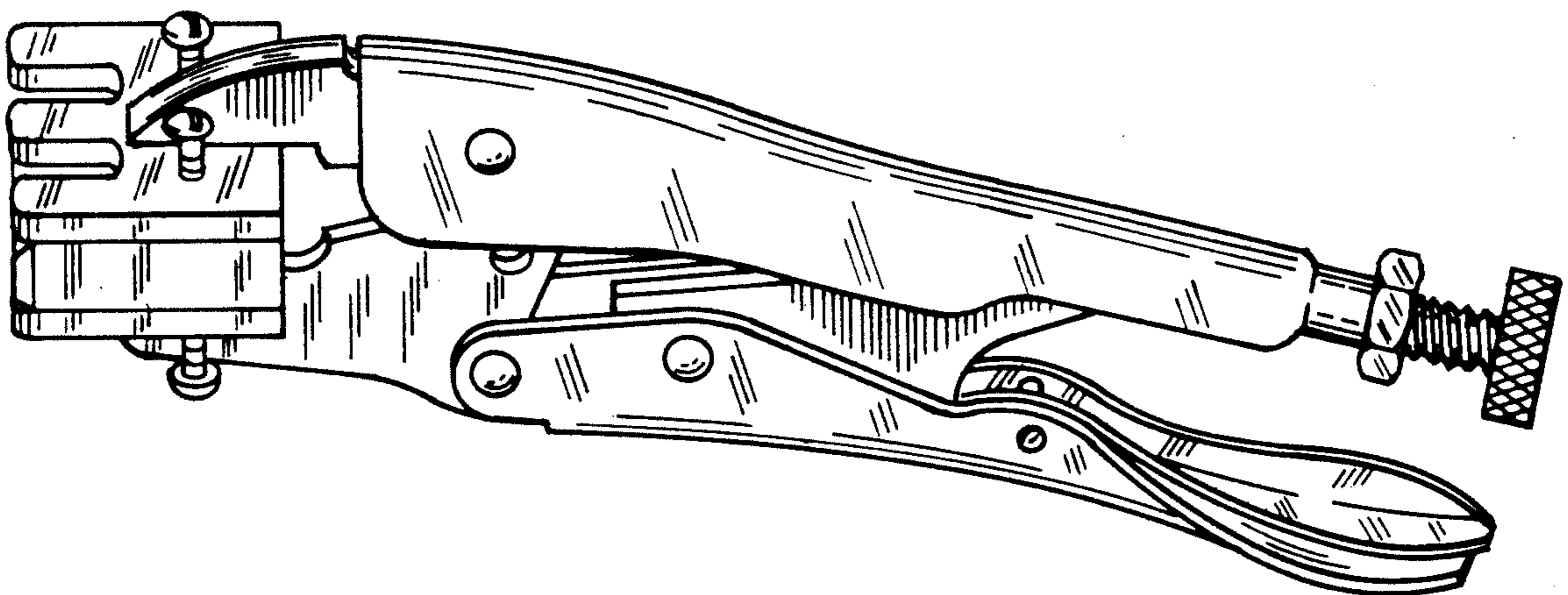
FIG. 4 is a perspective view from the other side of the vise grip clamp for stringing racquets;

FIG. 5 is a top view of the vise grip clamp in the open position.

[56] References Cited

U.S. PATENT DOCUMENTS

D. 215,079 9/1969 Heater D8/52



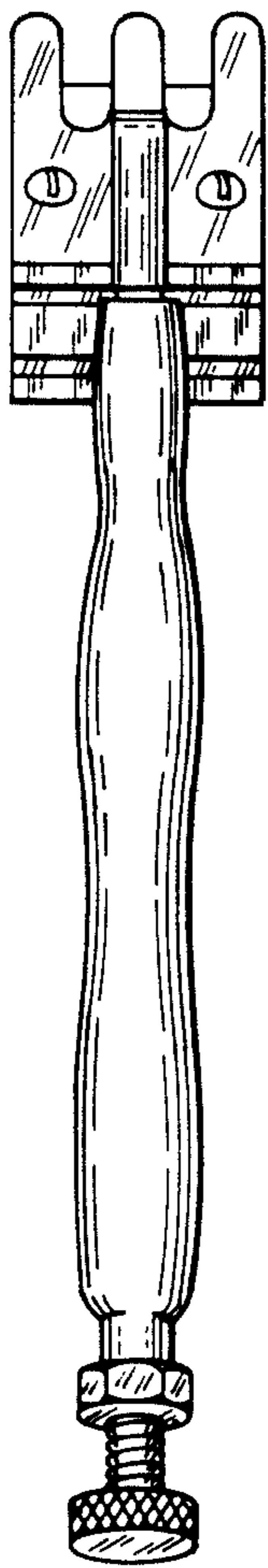


Fig. 1.

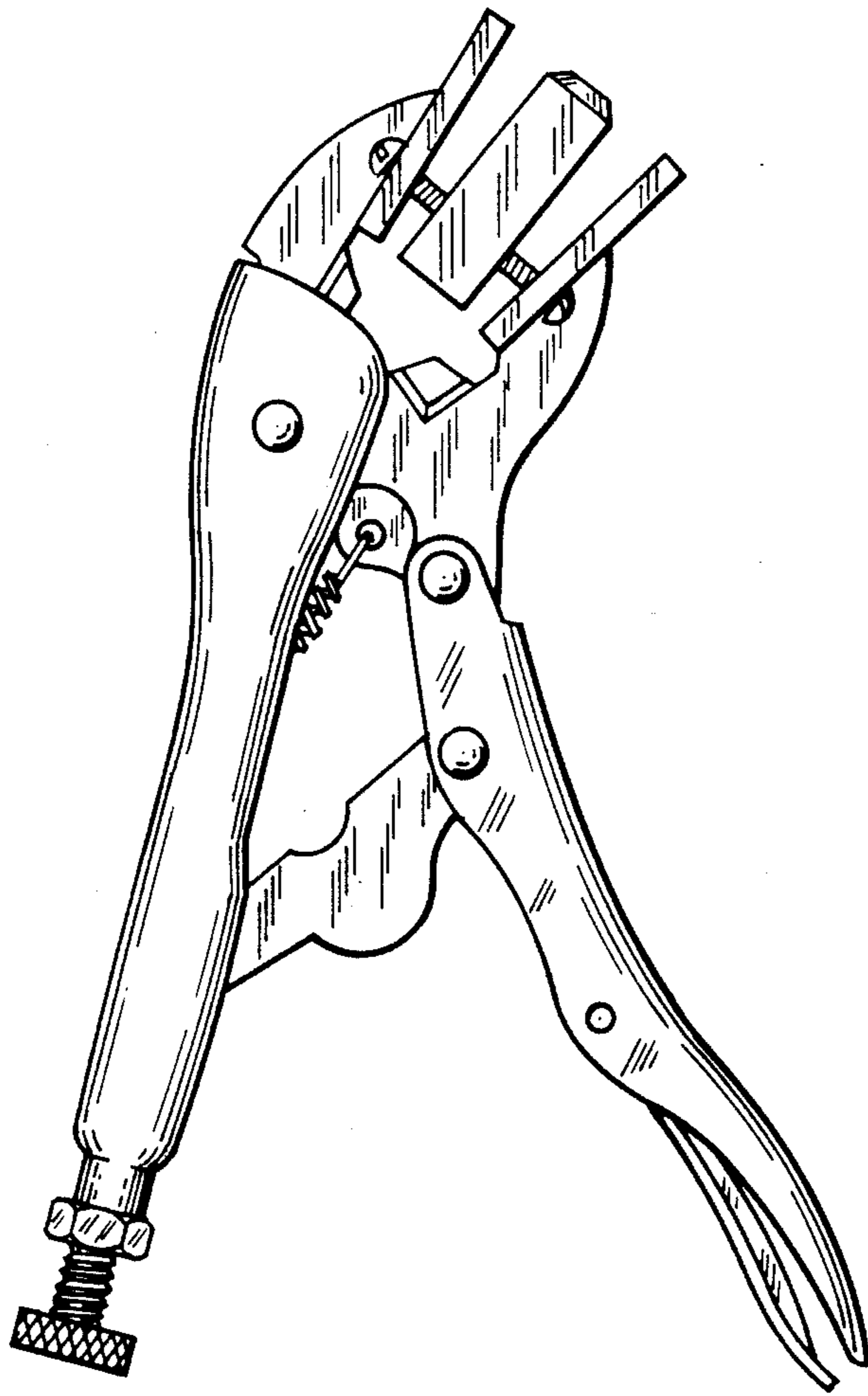


Fig. 2.

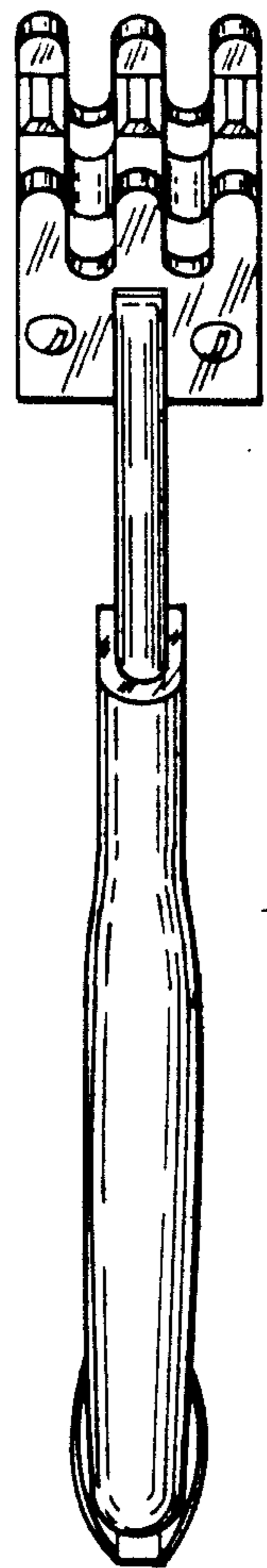


Fig. 3.

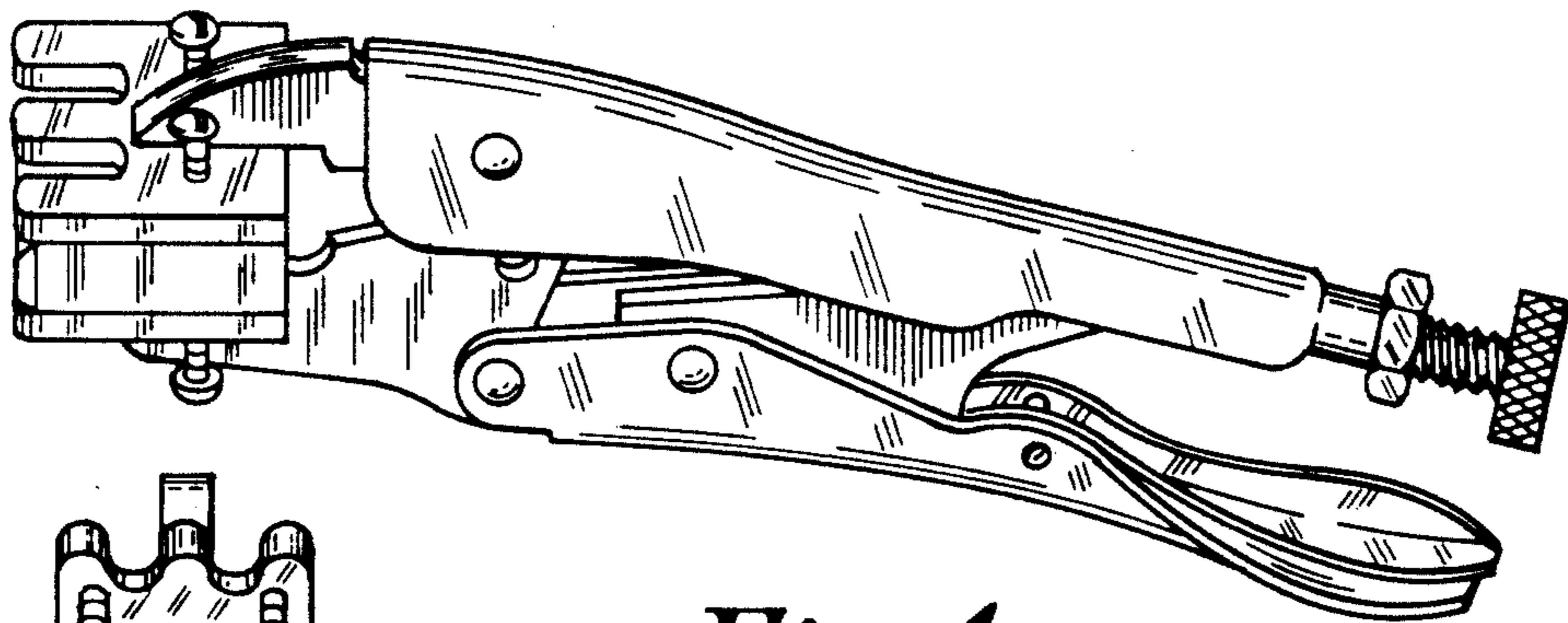


Fig. 4.

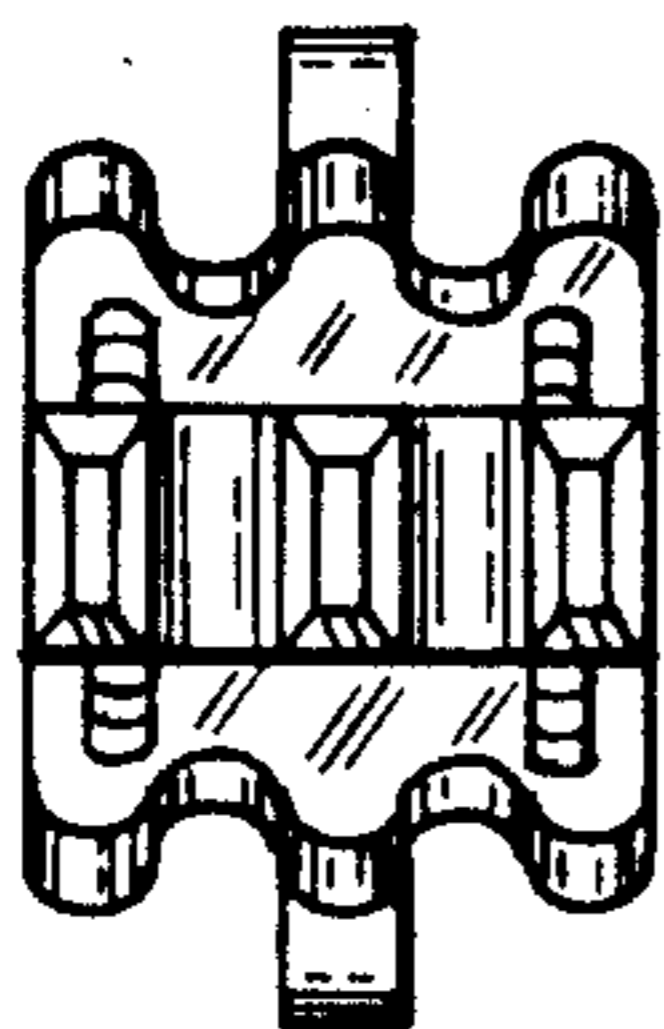


Fig. 5.