

[54] ELECTRIC COOKING UTENSIL

[75] Inventors: Melvin H. Boldt, Glenview; Thurber H. Morrison, Evanston; Robert S. Huff, Oak Park, all of Ill.

[73] Assignee: National Presto Industries, Inc., Eau Claire, Wis.

[**] Term: 14 Years

[21] Appl. No.: 736,409

[22] Filed: Oct. 28, 1976

[51] Int. Cl. D7-02
[52] U.S. Cl. D7/94; D7/97
[58] Field of Search D7/85, 86, 87, 88, 89,
D7/90, 94, 95, 96, 97, 41, 99, 131, 129, 130, 132,
122

[56] References Cited

U.S. PATENT DOCUMENTS

D. 195,688 7/1963 DeFano D7/132
D. 196,131 8/1963 Becker D7/94

OTHER PUBLICATIONS

Home Furnishings Daily, Aug. 14, 1964, p. 6, Item #8, electric fry pan by Dominion, bottom right.
Giant Showcase Gifts & Jewelry Cat. 75-76, p. 263, item #J, electric frypan by Presto, bottom right.
Kitchen Bazaar Cat., p. 36, stainless buffet server with lucite top, top row.
Pyrex Ware, supplement to Home Furnishings Daily, Jan. 12, 1960, p. 2, rectangular casserole at top r.

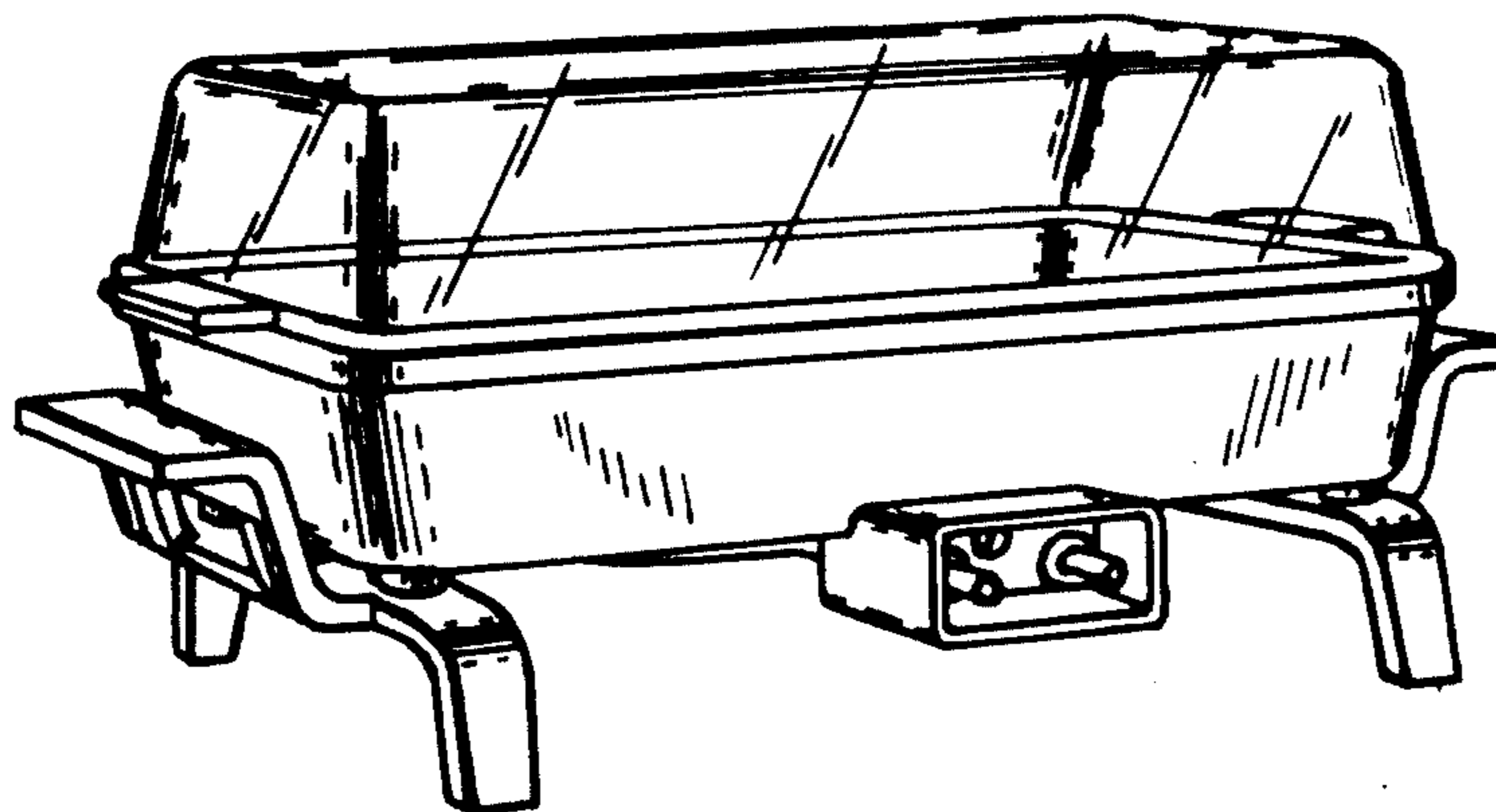
Primary Examiner—Winifred E. Herrmann
Attorney, Agent, or Firm—Paul A. Welter

[57] CLAIM

The ornamental design for an electric cooking utensil, substantially as shown and described.

DESCRIPTION

FIG. 1 is a front perspective view of an electric cooking utensil showing our new design;
FIG. 2 is a rear perspective view thereof;
FIG. 3 is a front perspective view thereof with the cover omitted;
FIG. 4 is a top plan view of FIG. 3;
FIG. 5 is a bottom plan view thereof;
FIG. 6 is a right side perspective view of FIG. 3, the opposite side being a mirror image; and
FIG. 7 is a rear perspective view of FIG. 3.



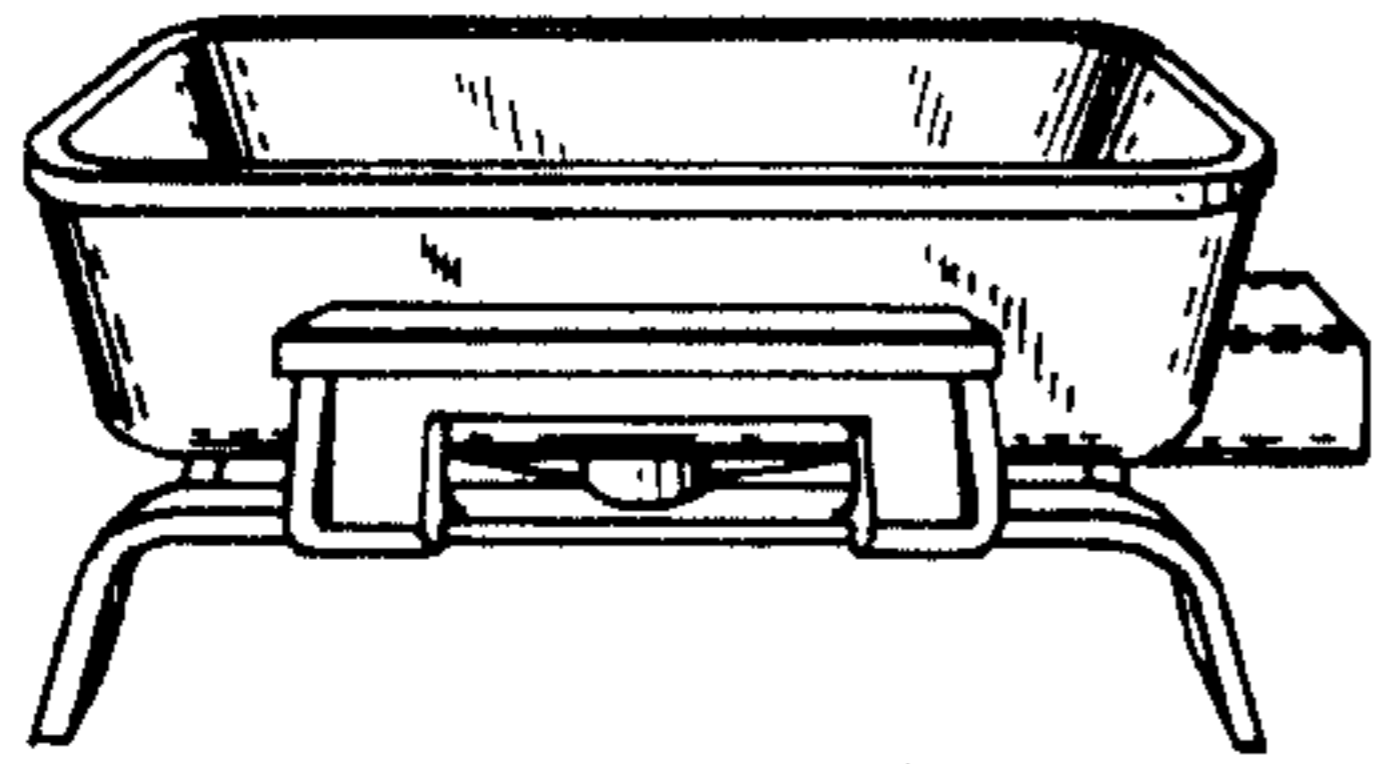


Fig. 6

Fig. 7

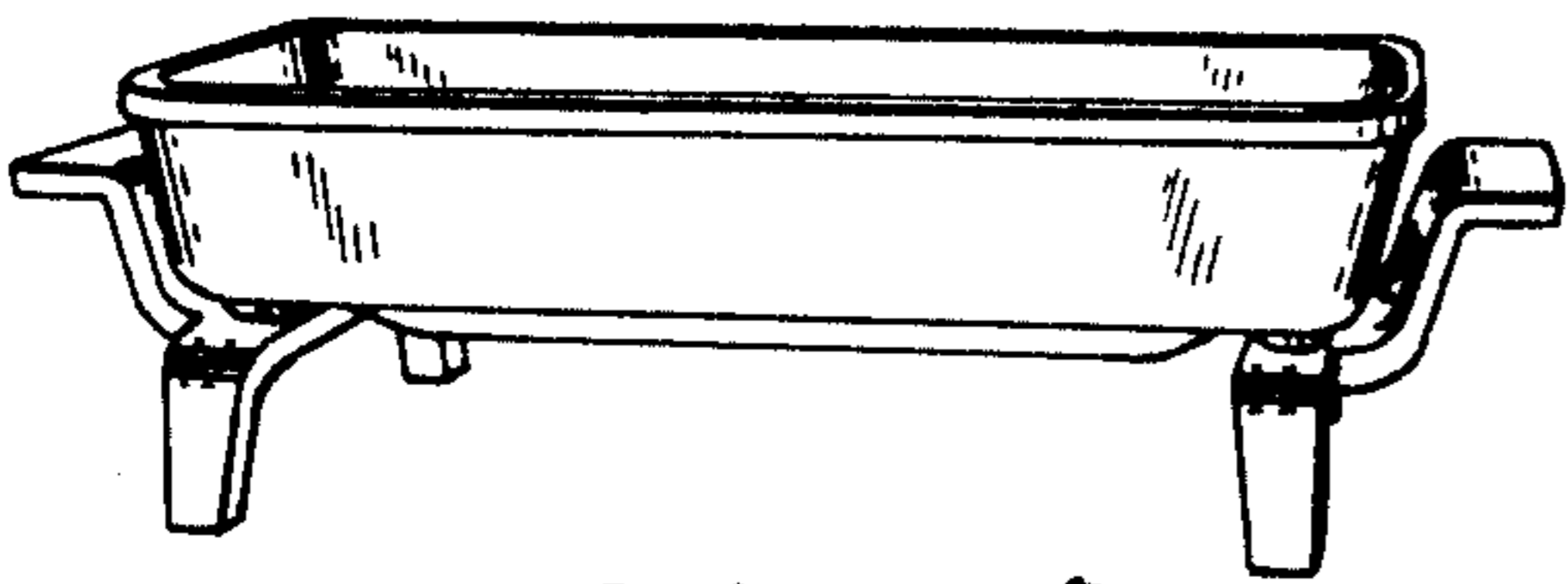
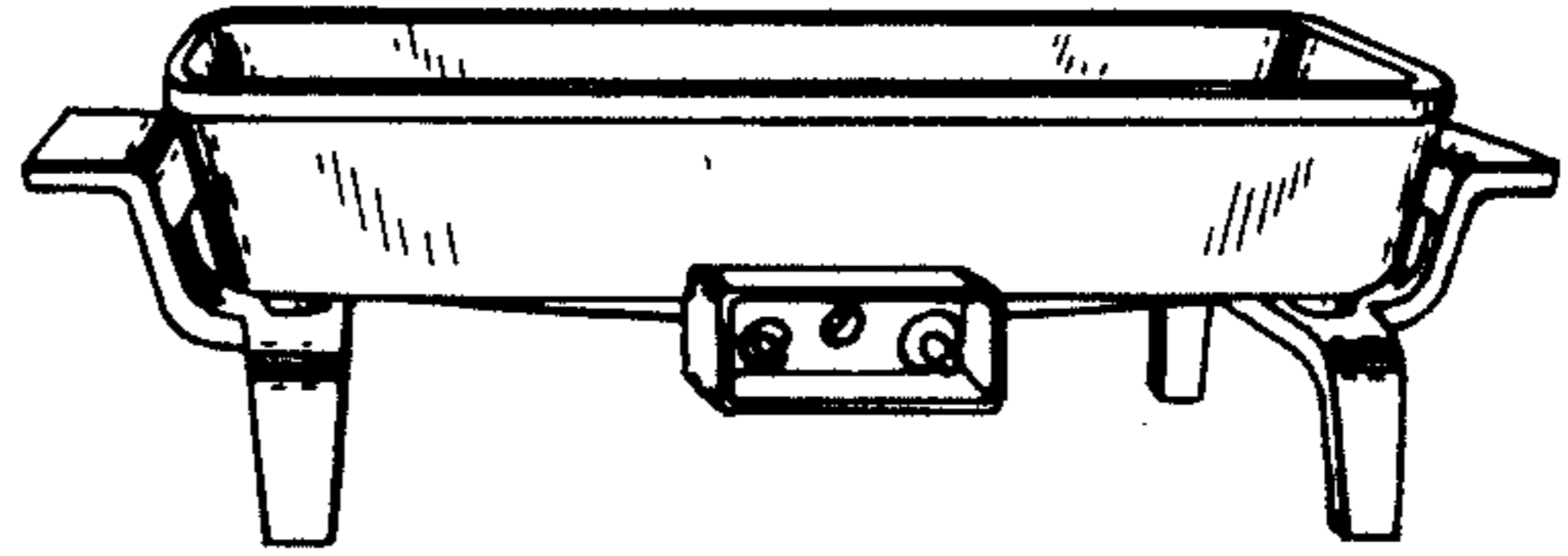


Fig. 3

Fig. 4

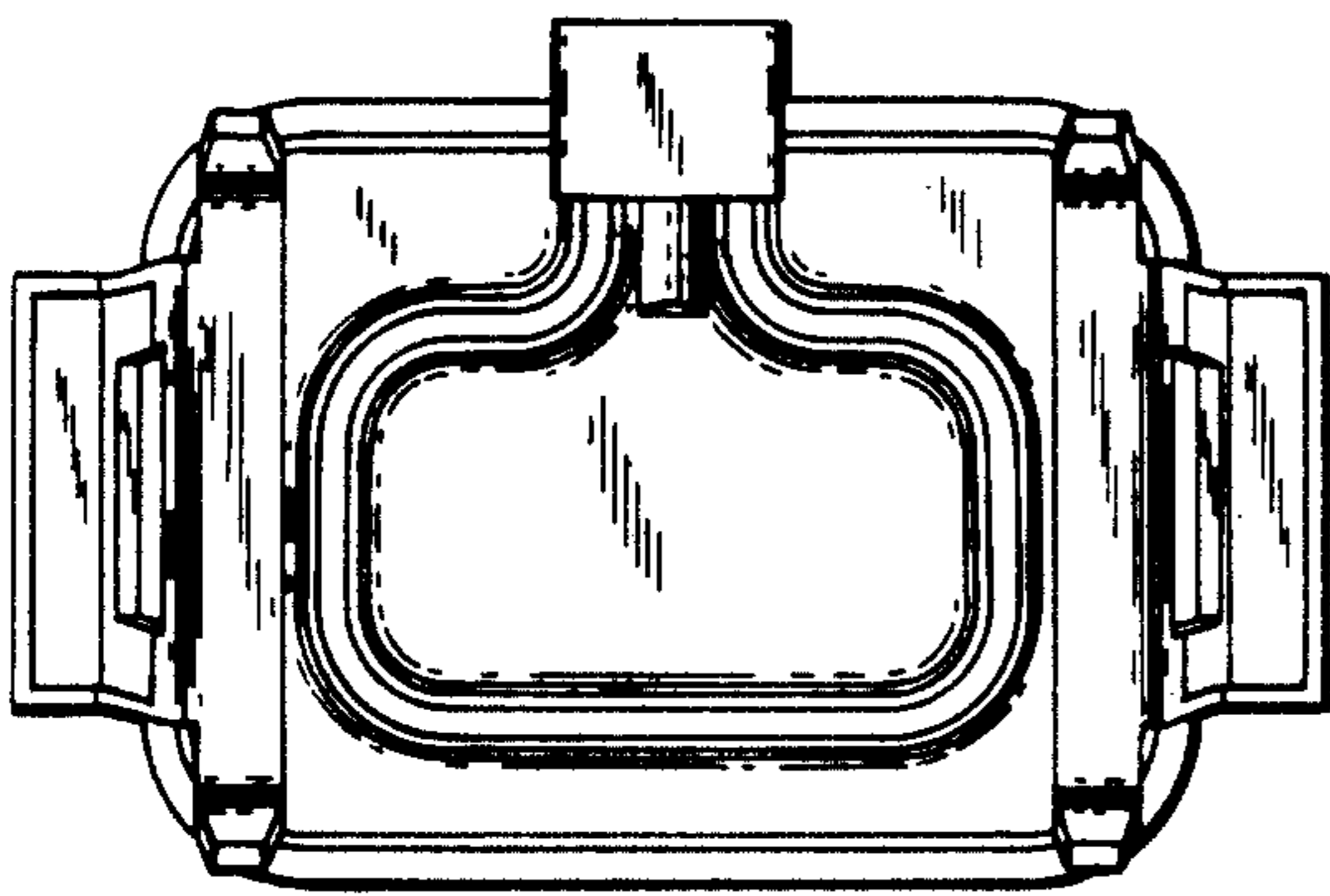
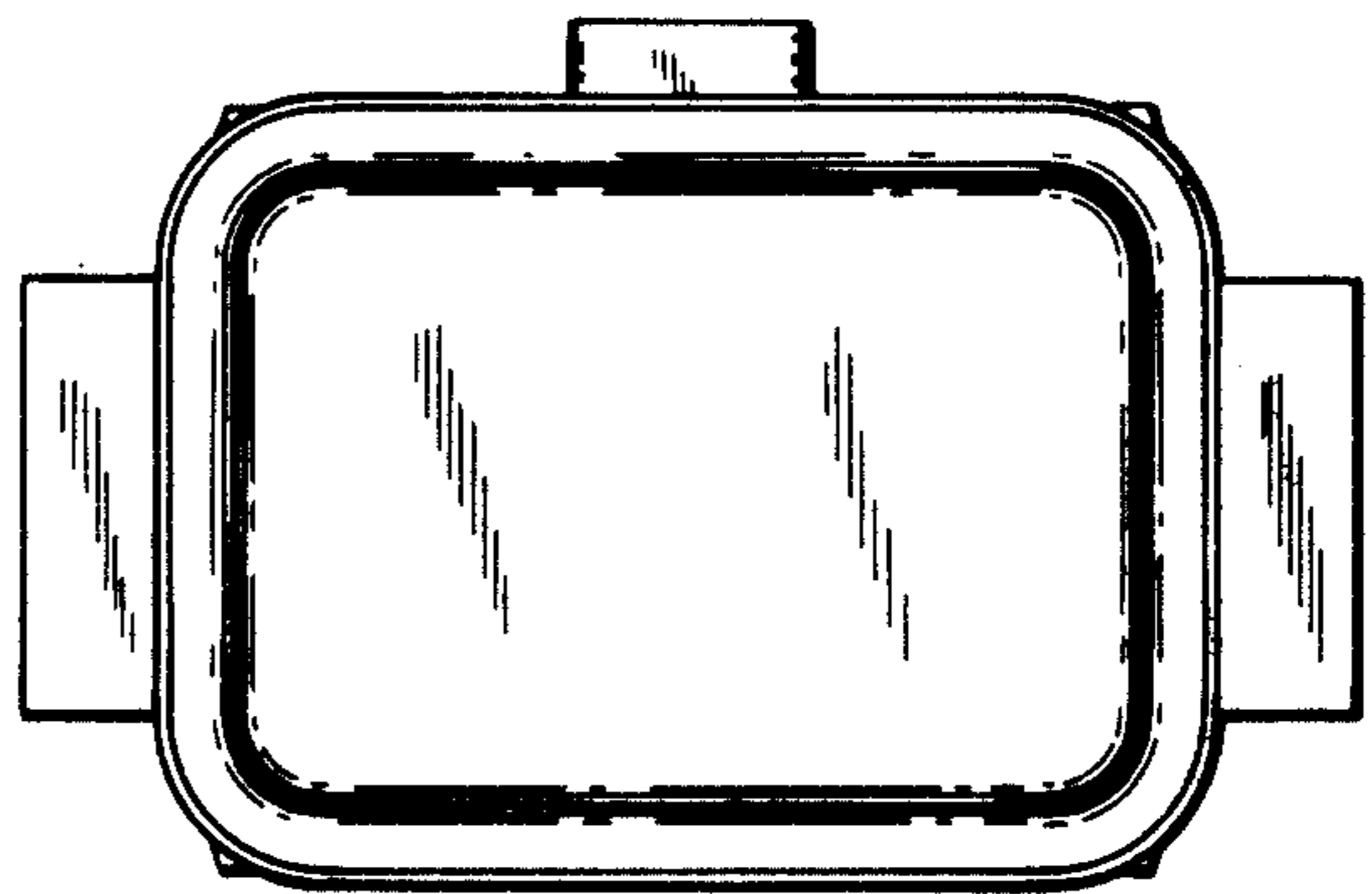


Fig. 5

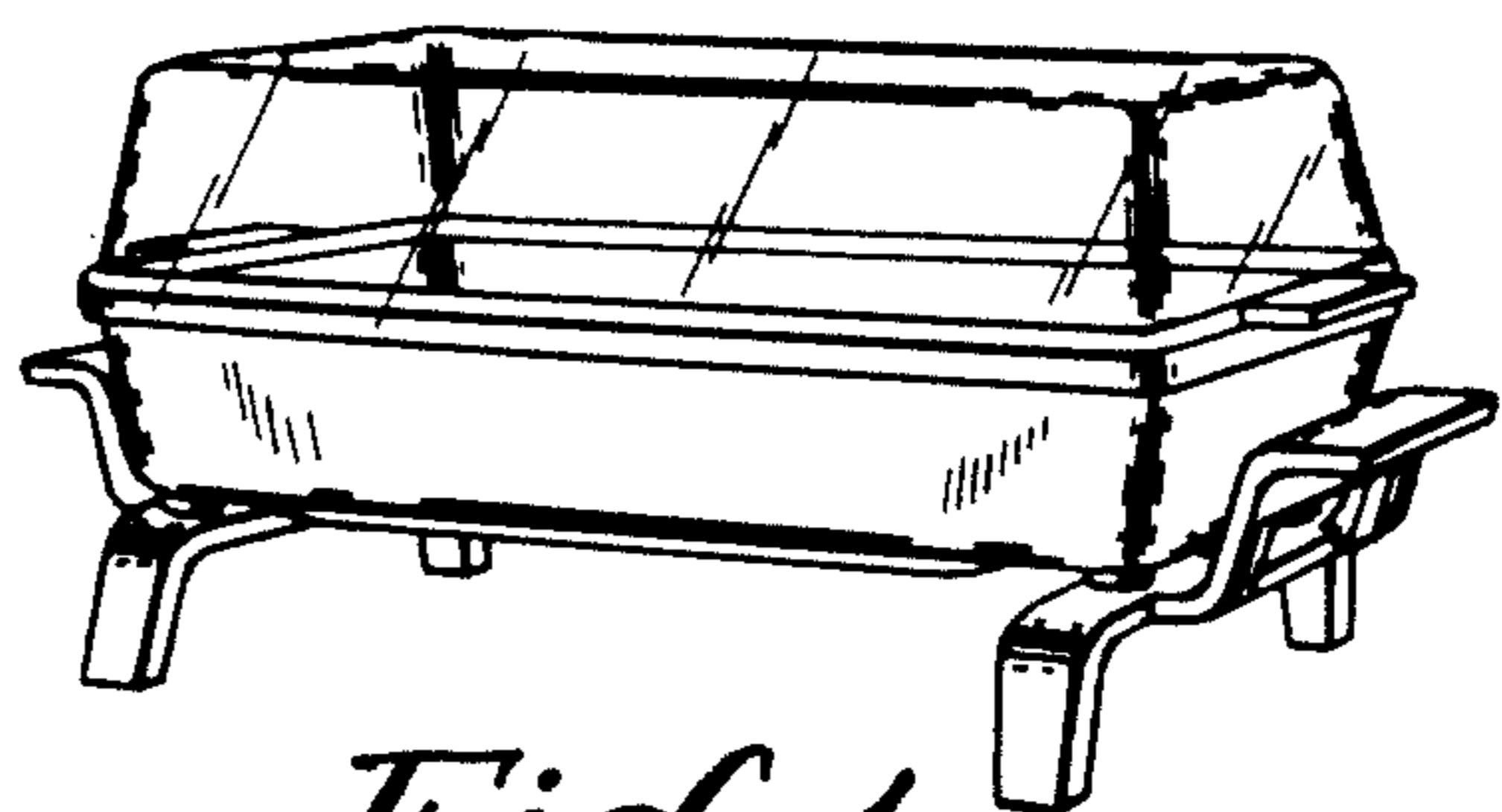


Fig. 1

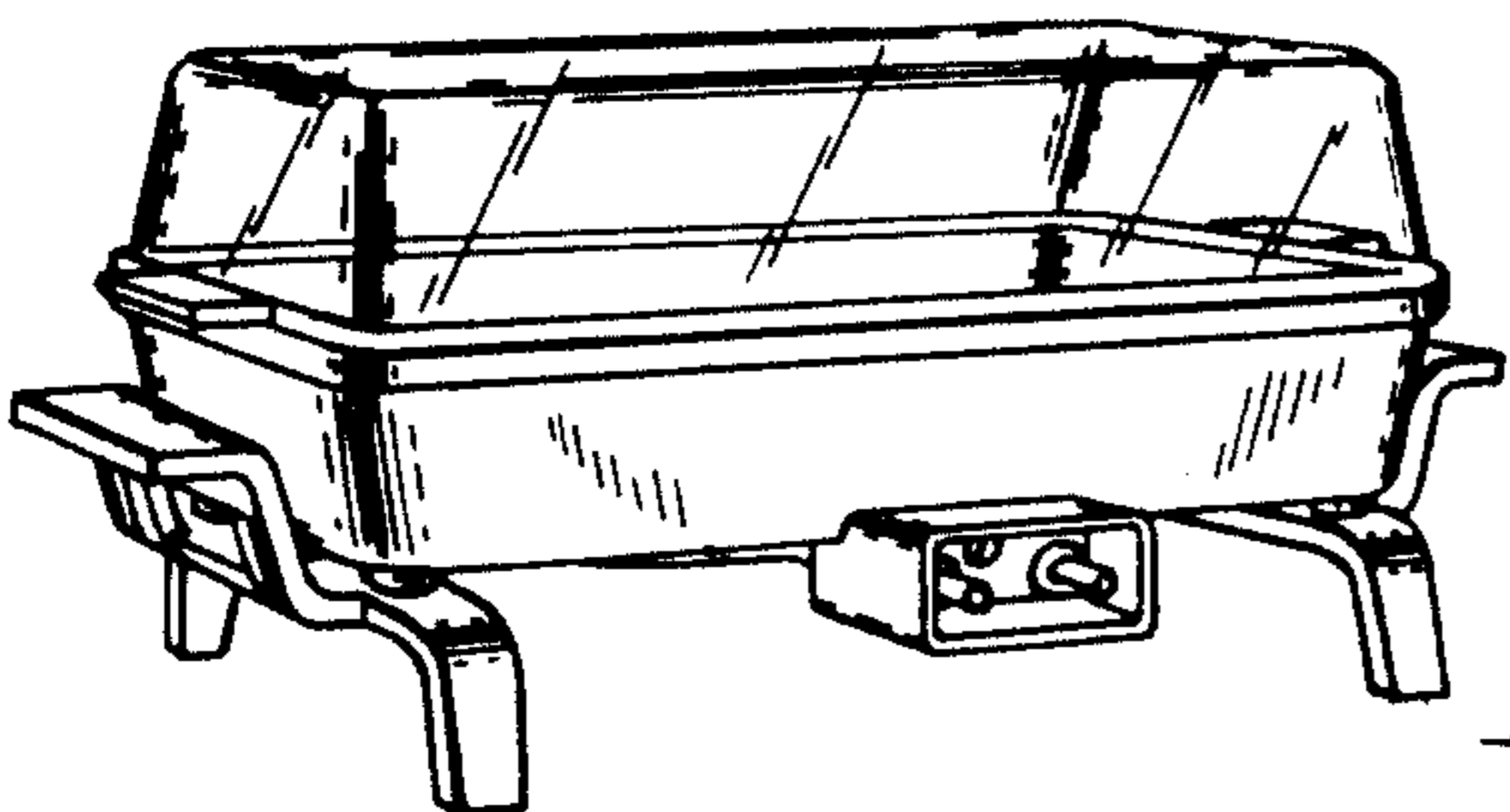


Fig. 2