

- [54] **ELECTRIC DONUT MAKER**
- [75] **Inventor: Monte L. Levin, New York, N.Y.**
- [73] **Assignee: Scovill Manufacturing Company, Waterbury, Conn.**
- [\*\*] **Term: 14 Years**
- [21] **Appl. No.: 834,431**
- [22] **Filed: Sep. 19, 1977**
- [51] **Int. Cl. .... D7-02**
- [52] **U.S. Cl. .... D7/88**
- [58] **Field of Search .... D7/85, 86, 87, 88, 89, D7/94, 95, 96, 97, 121, 122, 123, 124; 426/549, 439; 99/374, 383**

2,376,585	5/1945	Dickey .....	99/374 X
3,236,196	2/1966	Ibex .....	426/439
4,054,086	10/1977	McNair .....	99/442 X

**OTHER PUBLICATIONS**

*Retailing Home Furnishings*, Jan. 31, 1977, p. 42, Dazey Products Co. donut maker Model DF-2.

*Primary Examiner*—Winifred E. Herrmann  
*Attorney, Agent, or Firm*—Dallett Hoopes

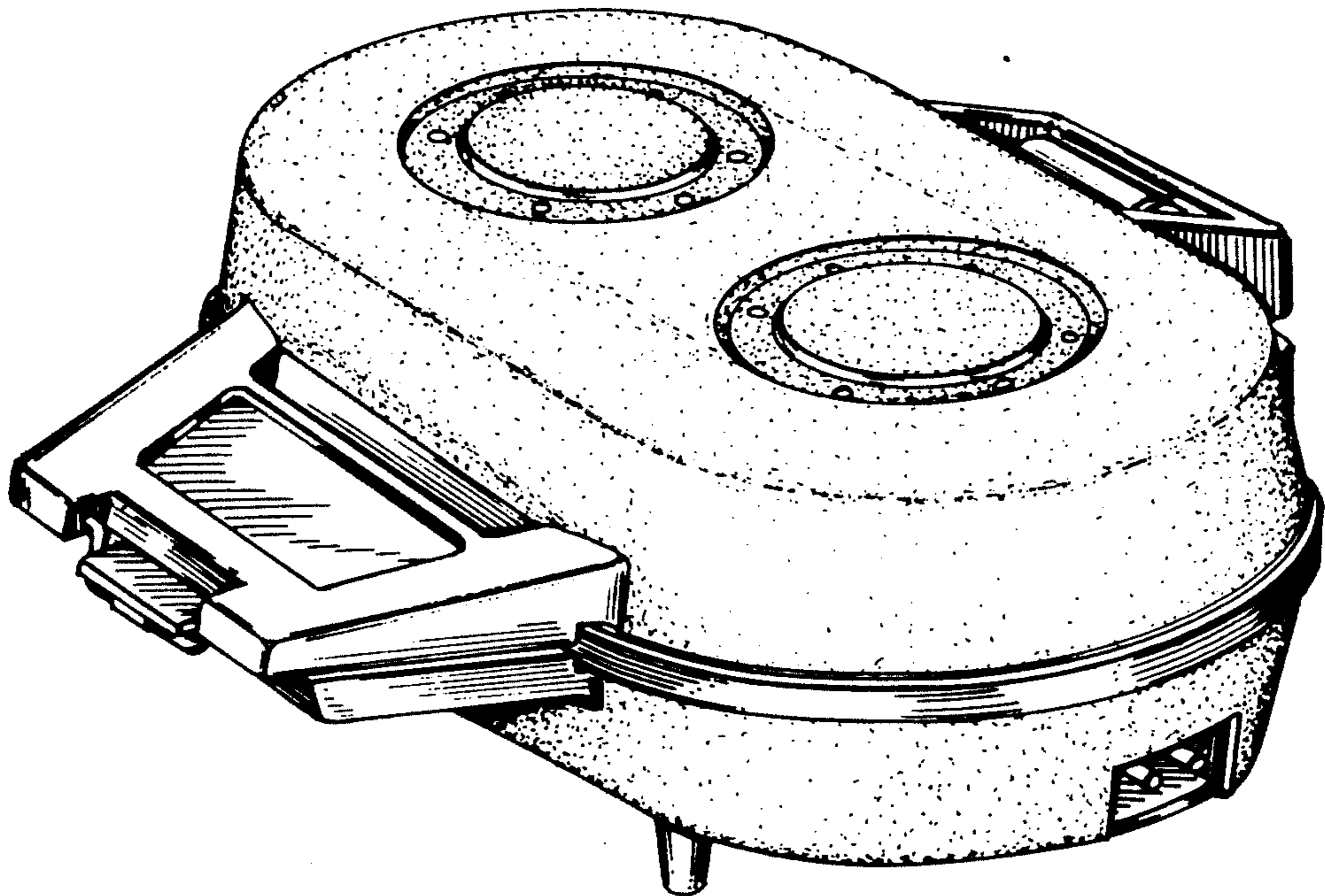
[57] **CLAIM**

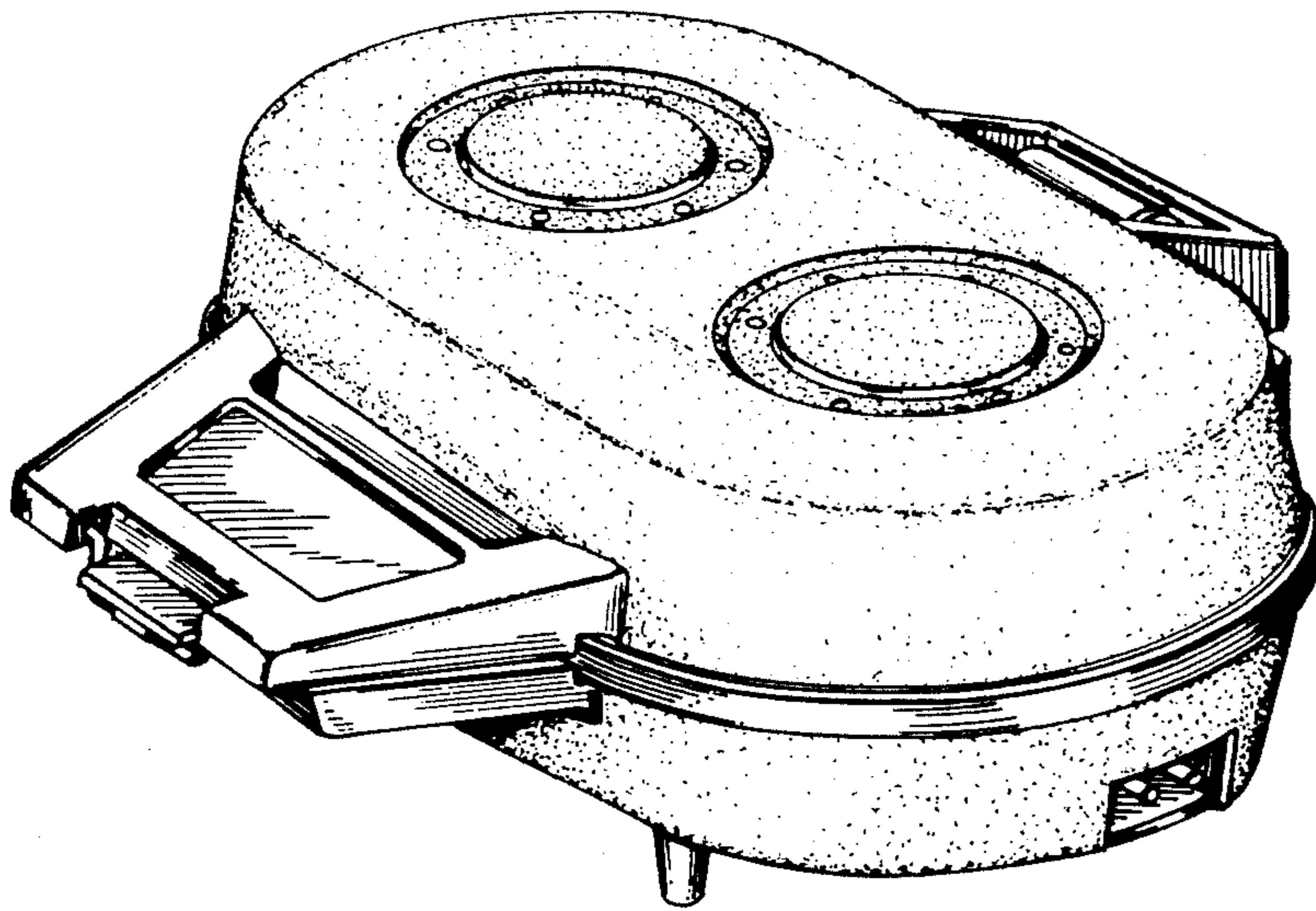
The ornamental design for an electric donut maker, substantially as shown.

**DESCRIPTION**

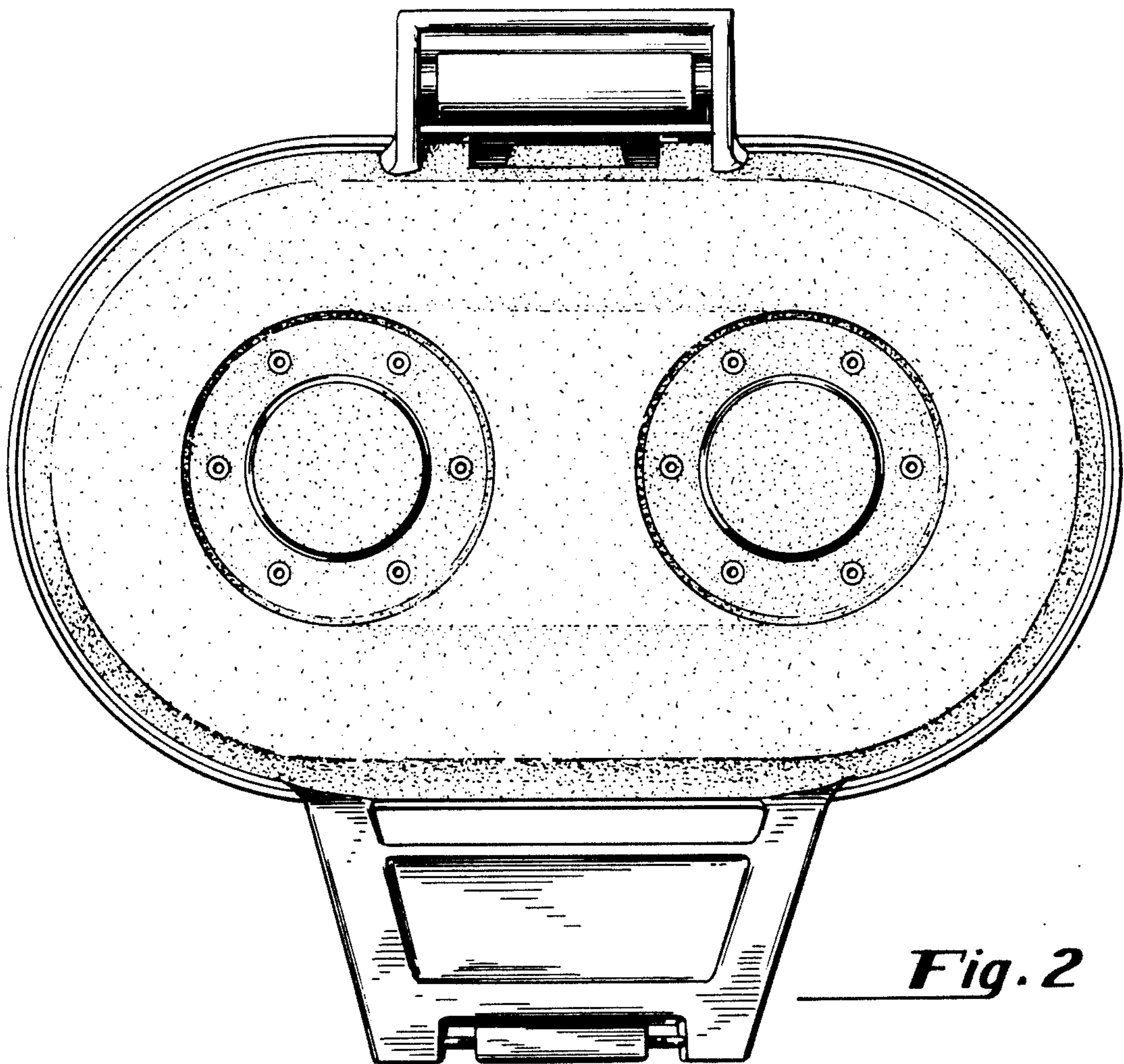
FIG. 1 is a perspective view of an electric donut maker showing my new design;  
FIG. 2 is a top plan view;  
FIG. 3 is a side elevational view;  
FIG. 4 is a rear elevational view;  
FIG. 5 is a front elevational view; and  
FIG. 6 is a bottom plan view.

- [56] **References Cited**
- U.S. PATENT DOCUMENTS**
- D. 175,547 9/1955 Josephson ..... D7/88
- 1,663,719 3/1928 Morley ..... 426/549
- 2,120,220 6/1938 Preston ..... 99/374 X





*Fig. 1*



*Fig. 2*

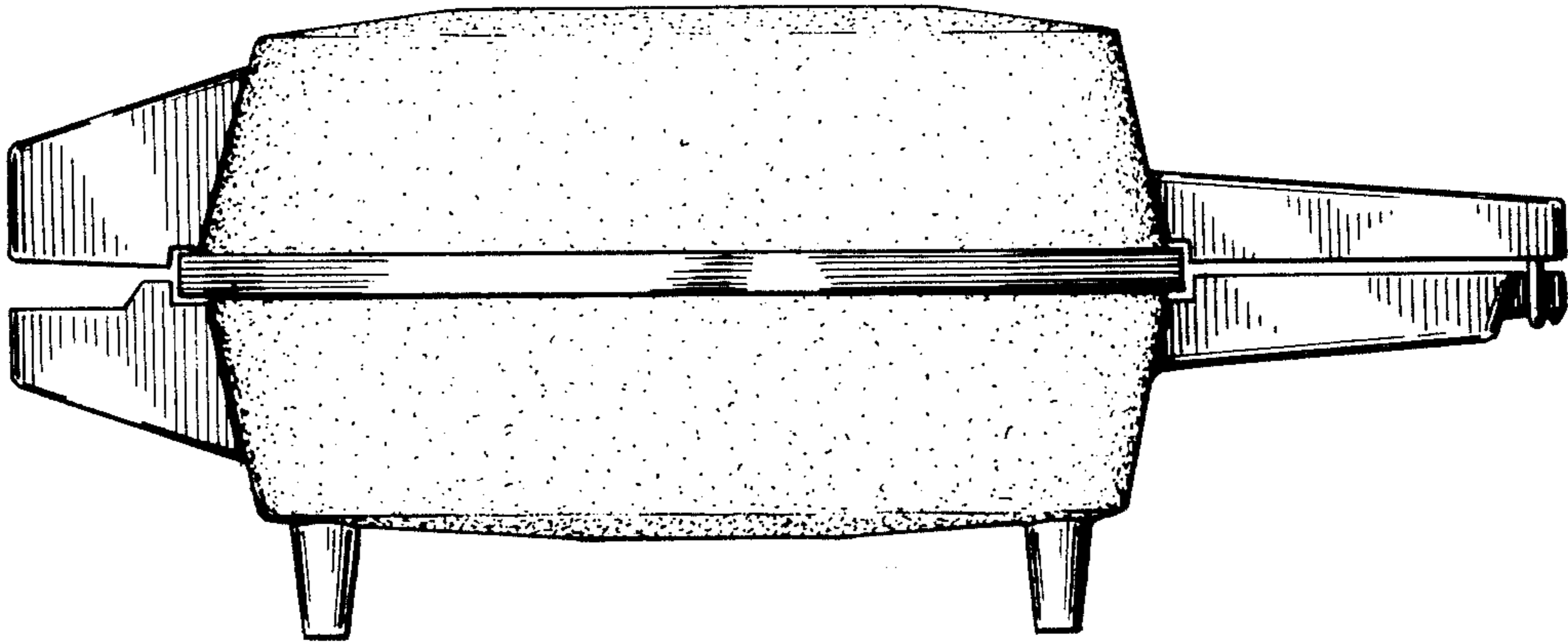


Fig. 3

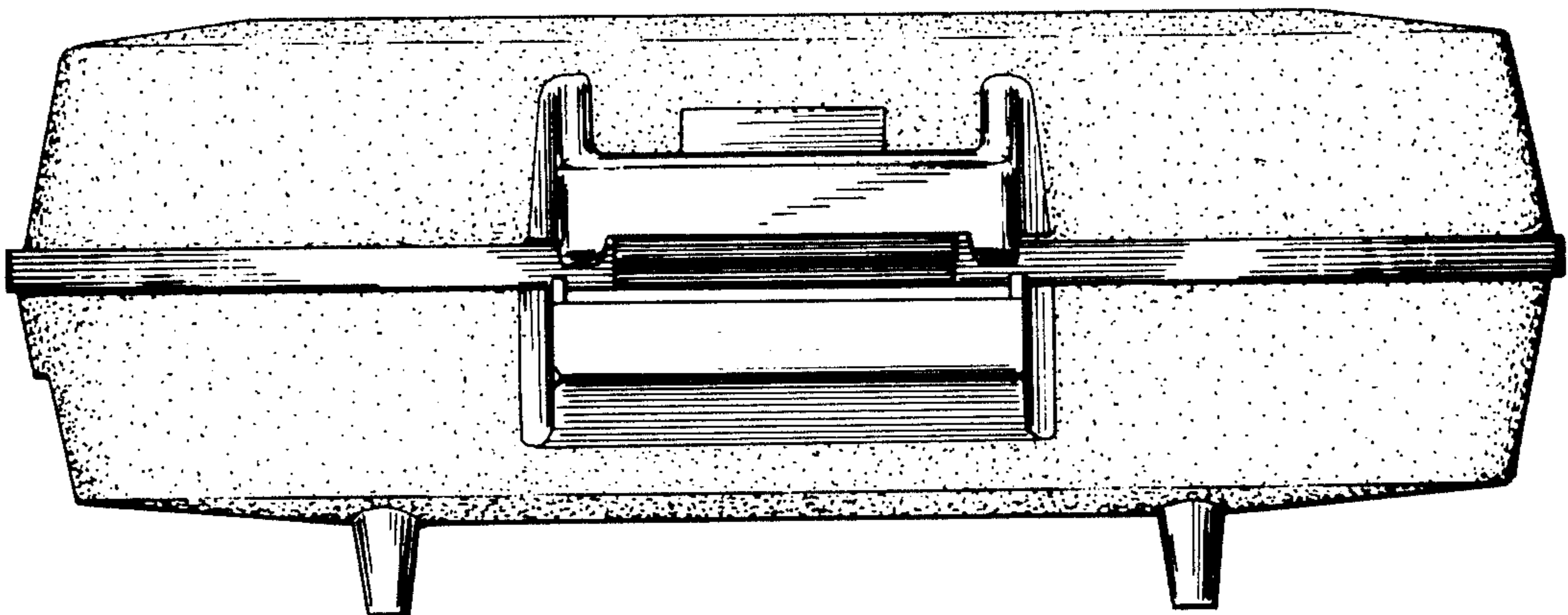


Fig. 4

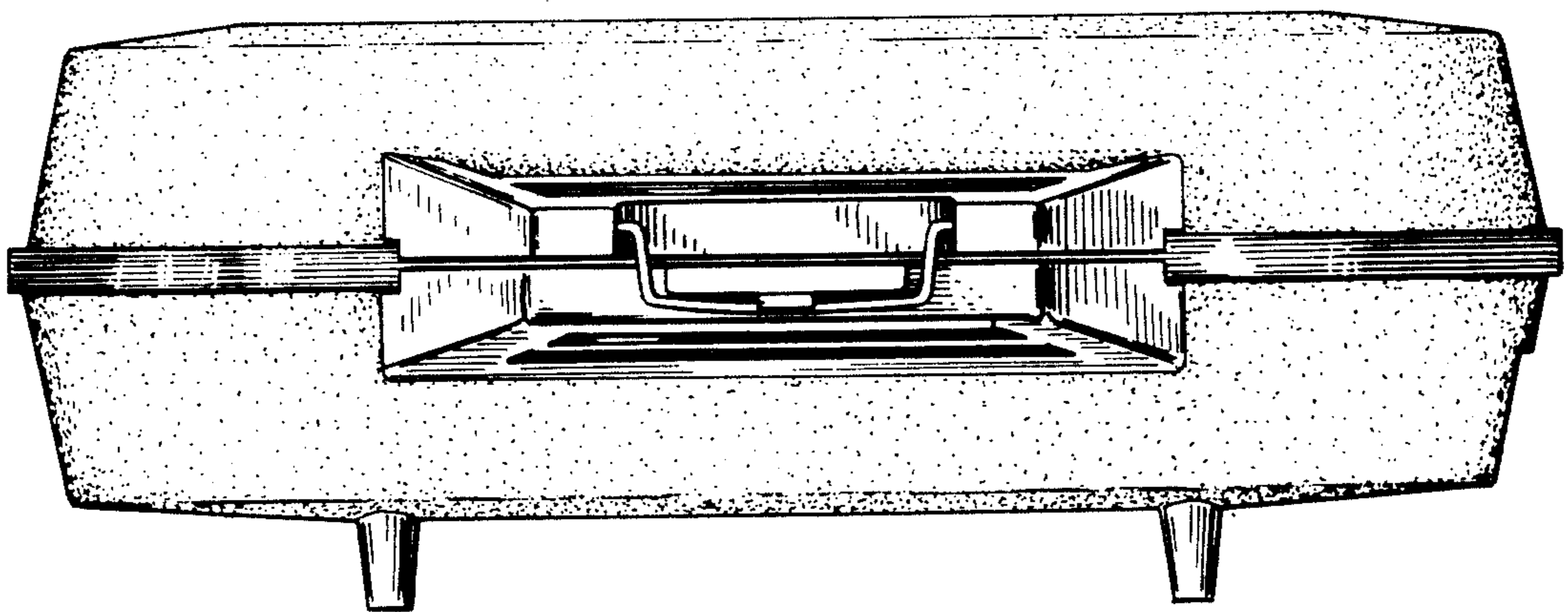
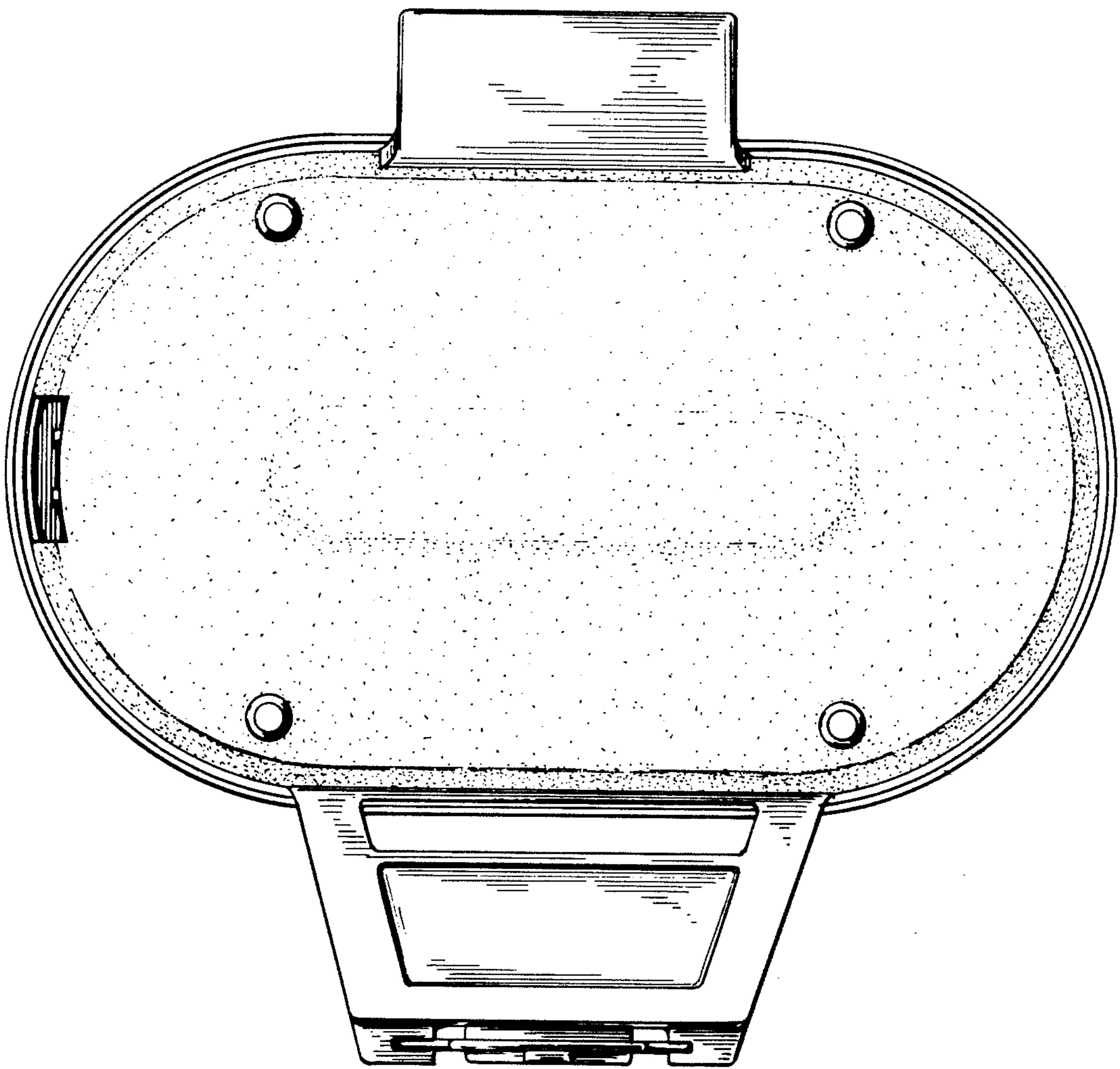


Fig. 5



***Fig. 6***