

[54] **CONDIMENT DISPENSER**

[76] Inventors: **Rodney A. Johnson**, 1800 Jamica Dr.,  
Miramar, Fla. 33023; **Francis W. Selby**,  
Box 170, R.D. #1, Middletown, Del. 19709

[\*\*] Term: **14 Years**

[21] Appl. No.: **733,461**

[22] Filed: **Oct. 18, 1976**

[51] Int. Cl. .... **D7-06**

[52] U.S. Cl. .... **D7/57**

[58] Field of Search ..... **D7/52, 53, 54, 55, 57;**  
**D9/207, 213**

[56] **References Cited**

**U.S. PATENT DOCUMENTS**

D. 60,205 1/1922 **Abbott** ..... **D9/207**  
D. 115,925 8/1939 **Holmes** ..... **D7/57**

D. 125,023 2/1941 **Kroll** ..... **D7/52**  
D. 129,656 9/1941 **Kruse** ..... **D7/54**  
D. 171,043 12/1953 **Moore** ..... **D7/57**  
D. 195,686 7/1963 **Vernon** ..... **D7/57**  
D. 199,138 9/1964 **Hazlett** ..... **D7/54**  
D. 200,428 2/1965 **Merkel** ..... **D7/52**

*Primary Examiner*—Winifred E. Herrmann  
*Attorney, Agent, or Firm*—John F. Smith

[57] **CLAIM**

The ornamental design for a condiment dispenser, substantially as shown and described.

**DESCRIPTION**

FIG. 1 is a rear and right side perspective view of a condiment dispenser showing our new design; FIG. 2 is a front and left side perspective view thereof; FIG. 3 is a right side elevational view of FIG. 1; FIG. 4 is a front elevational view thereof; and FIG. 5 is a top plan view thereof. The bottom is plane and unornamented.

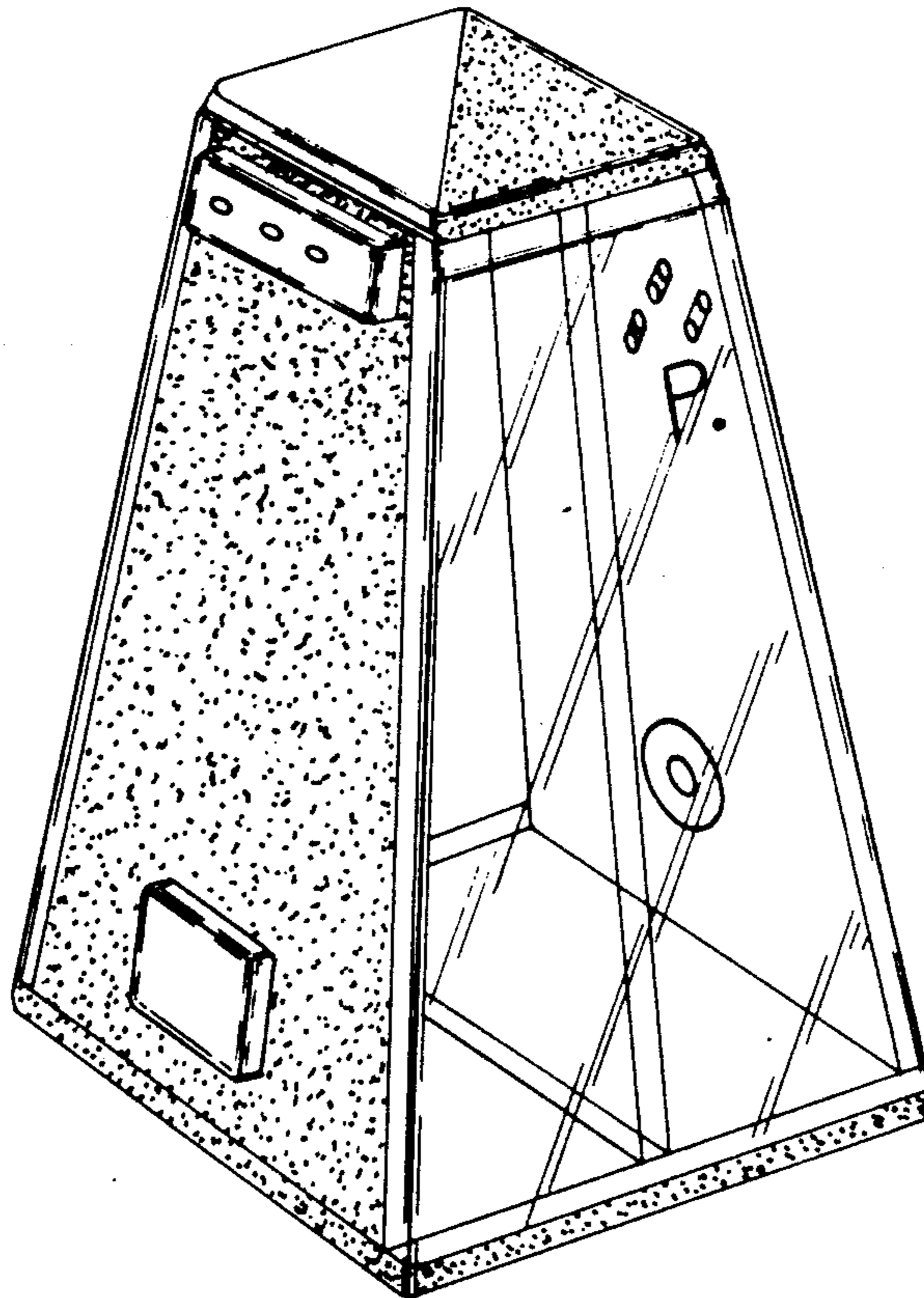


FIG. 1.

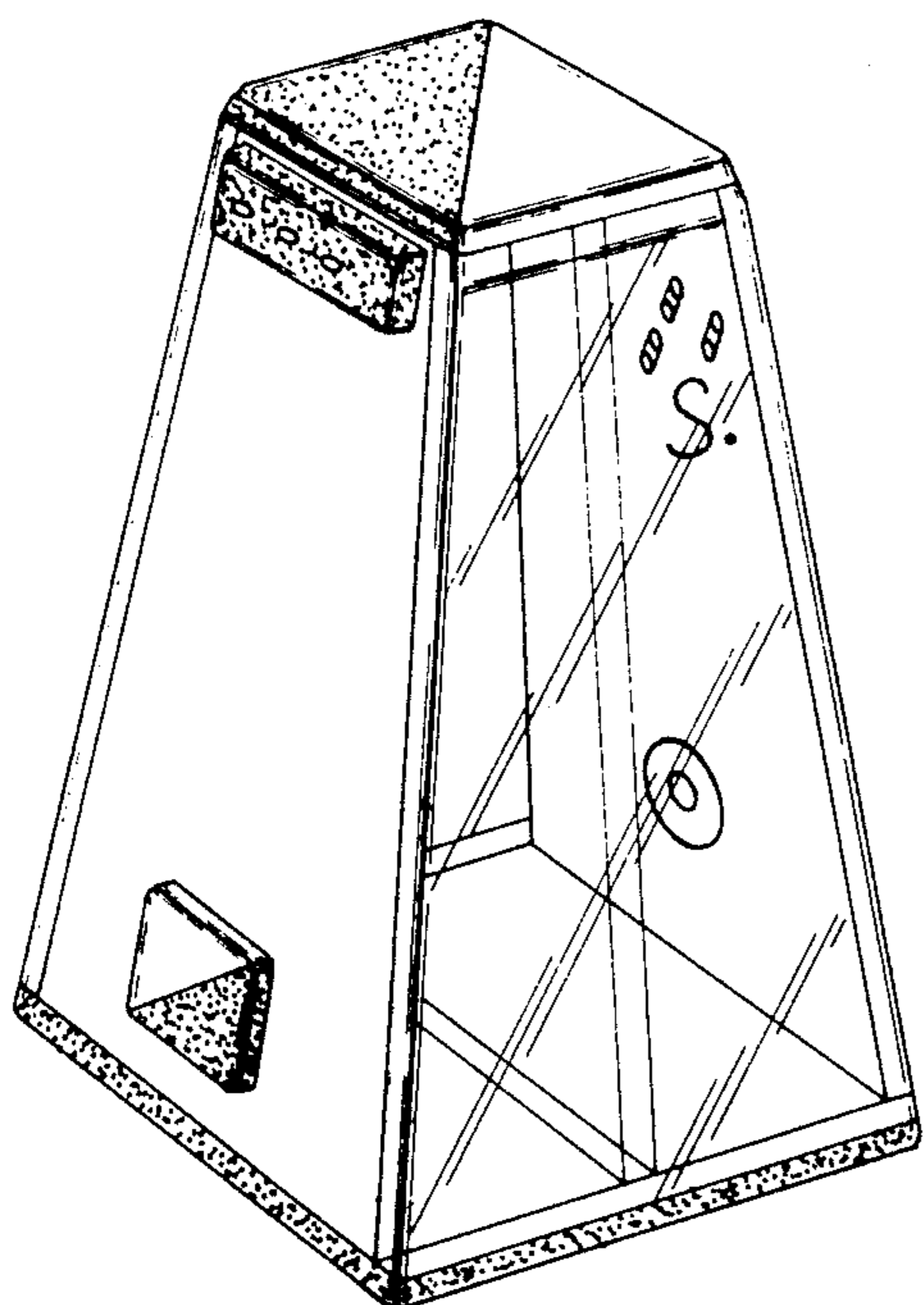


FIG. 2.

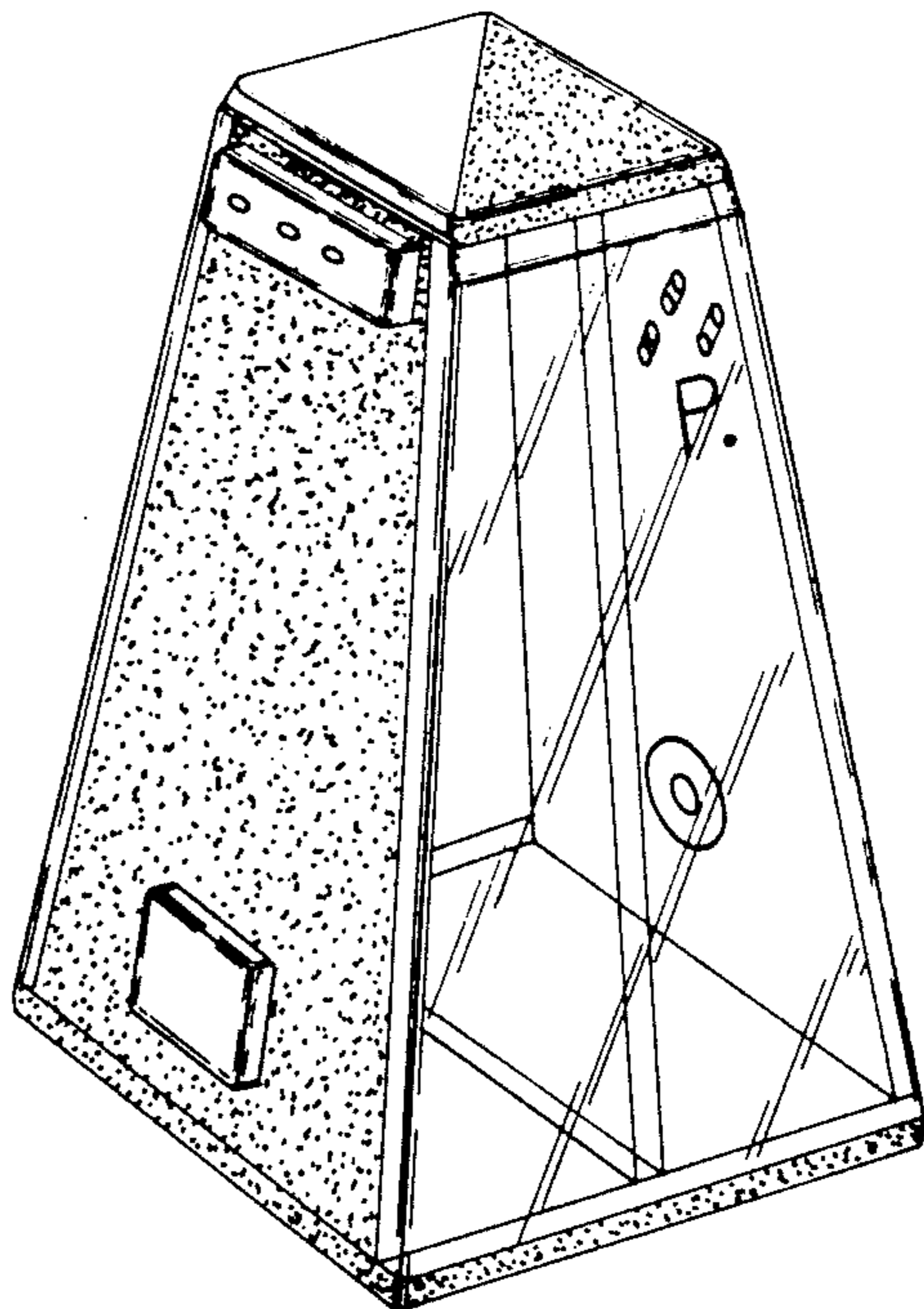


FIG. 3.

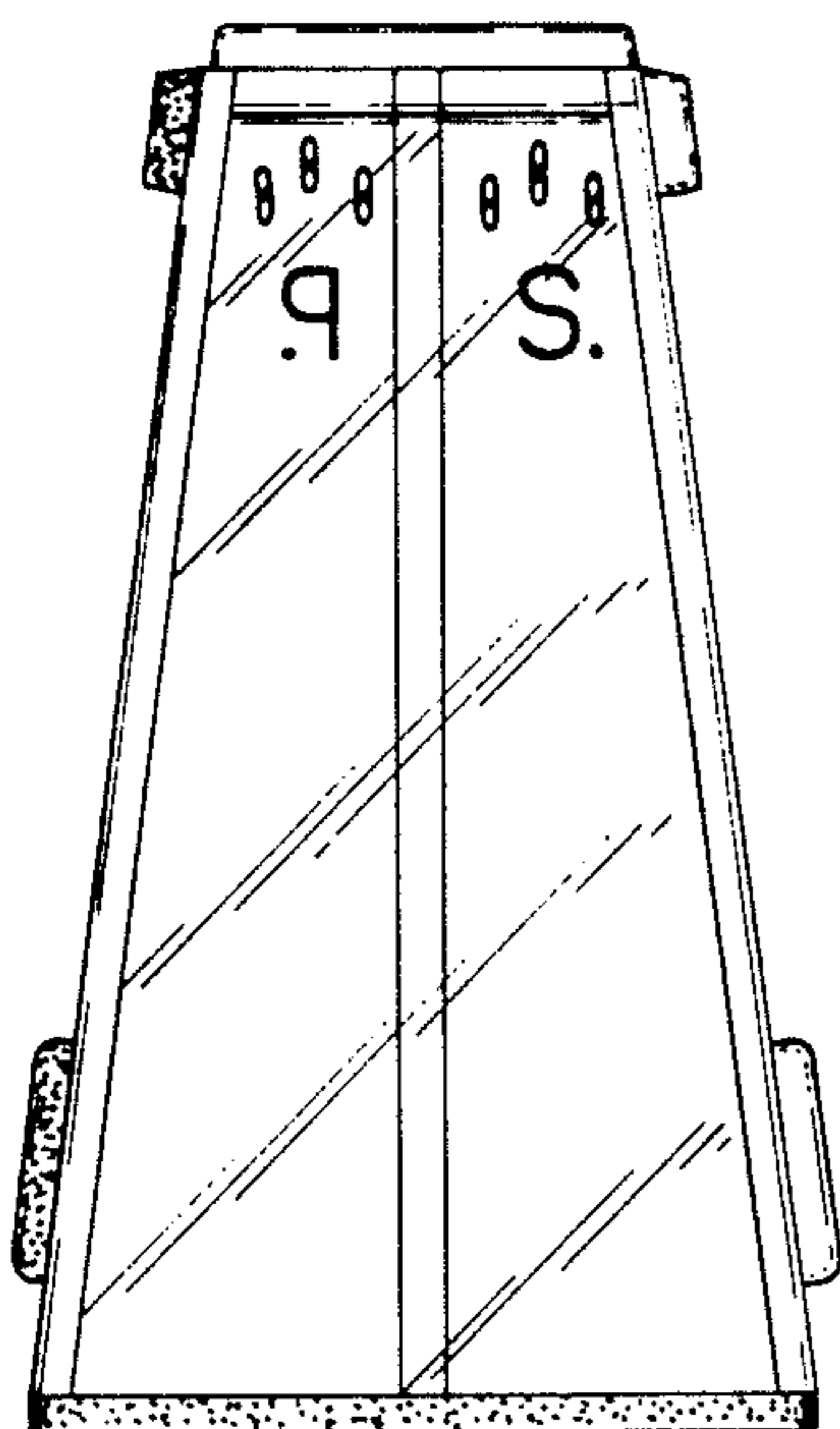


FIG. 4.

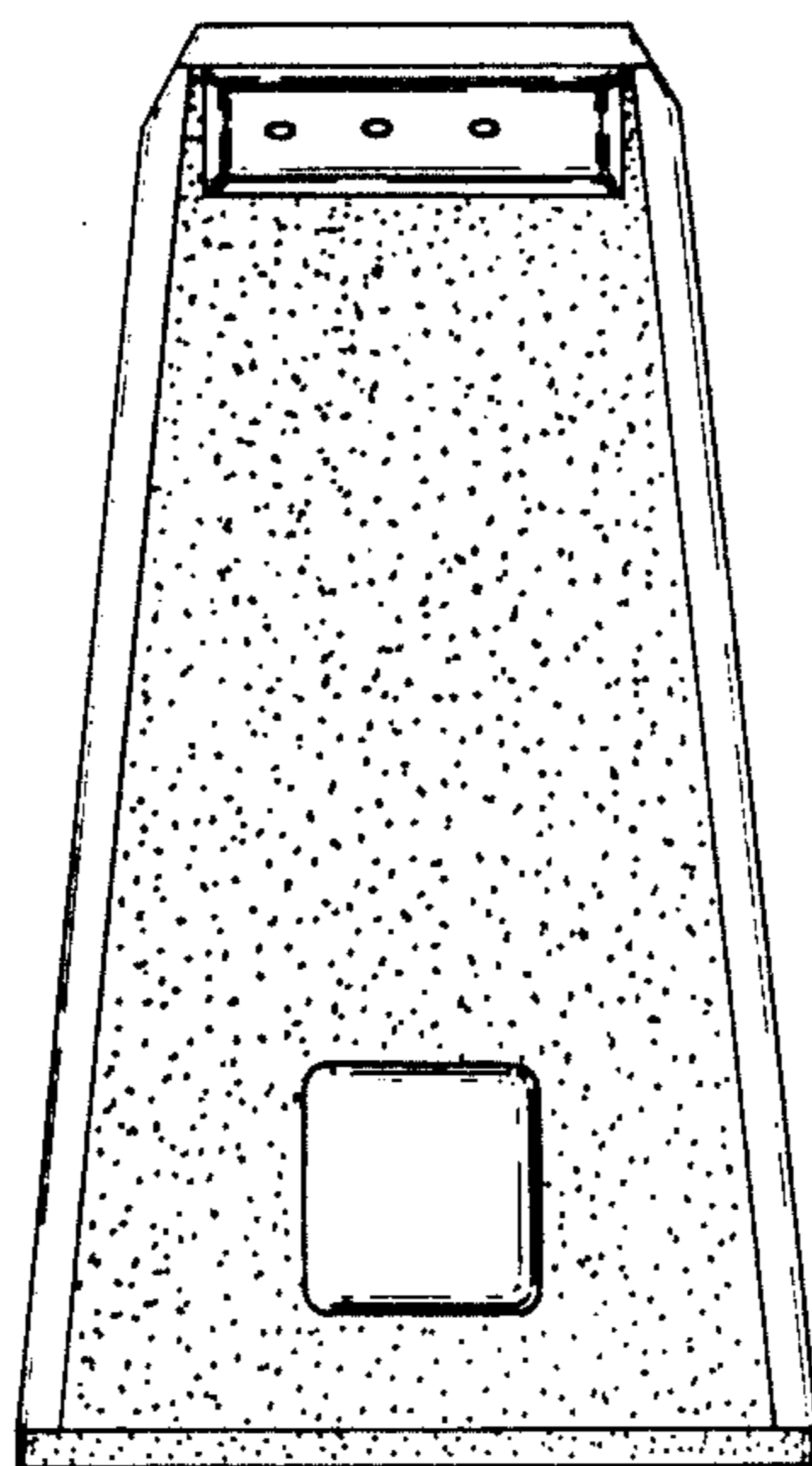


FIG. 5.

