

[54] COMBINED COFFEE FILTER AND SUPPORT BASE

[75] Inventor: Werner Braun, Wilen, Sarnen, Switzerland

[73] Assignee: Maxs AG, Sachseln, Switzerland

[\*\*] Term: 14 Years

[21] Appl. No.: 696,494

[22] Filed: Jun. 16, 1976

[30] Foreign Application Priority Data

Dec. 17, 1975 [DE] Fed. Rep. of Germany ..... URA 940/75

[51] Int. Cl. .... D7-04

[52] U.S. Cl. .... D7/47; D7/130

[58] Field of Search ..... D7/63, 129, 68, 59, D7/41, 47, 3, 85, 130

[56] References Cited

U.S. PATENT DOCUMENTS

D. 208,032	7/1967	Simpson, Jr. ....	D7/63
D. 229,530	12/1973	Simpson, Jr. ....	D7/41
3,063,359	11/1962	Brant .....	D7/59 X
3,215,060	11/1965	Perlov .....	D7/129 X
3,795,182	3/1974	Van Damme .....	D7/47 X
3,811,373	5/1974	Telco .....	D7/41 X

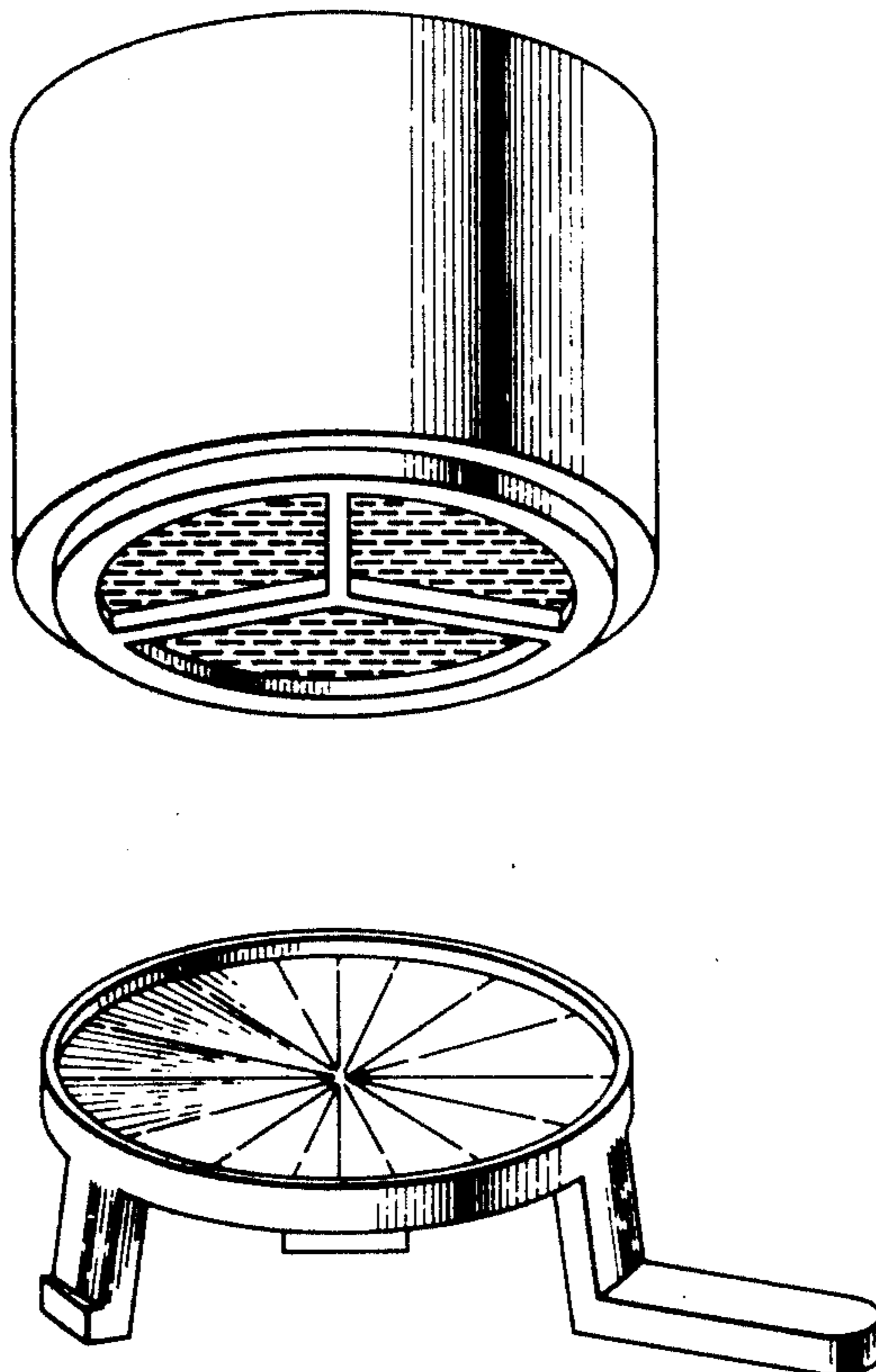
Primary Examiner—Winifred E. Herrmann  
Attorney, Agent, or Firm—Frederick E. Bartholy

[57] CLAIM

The ornamental design for a combined coffee filter and support base, as shown and described.

DESCRIPTION

FIG. 1 is a side elevation view of a combined coffee filter and support base showing my new design; FIG. 2 is a top plan view thereof with portions of the screen removed for convenience of illustration; FIG. 3 is a cross-sectional view thereof taken along line 3—3 of FIG. 2; FIG. 4 is an exploded perspective view of the opposite side of the combined coffee filter and support base of FIG. 1; and FIG. 5 is a bottom plan view thereof.



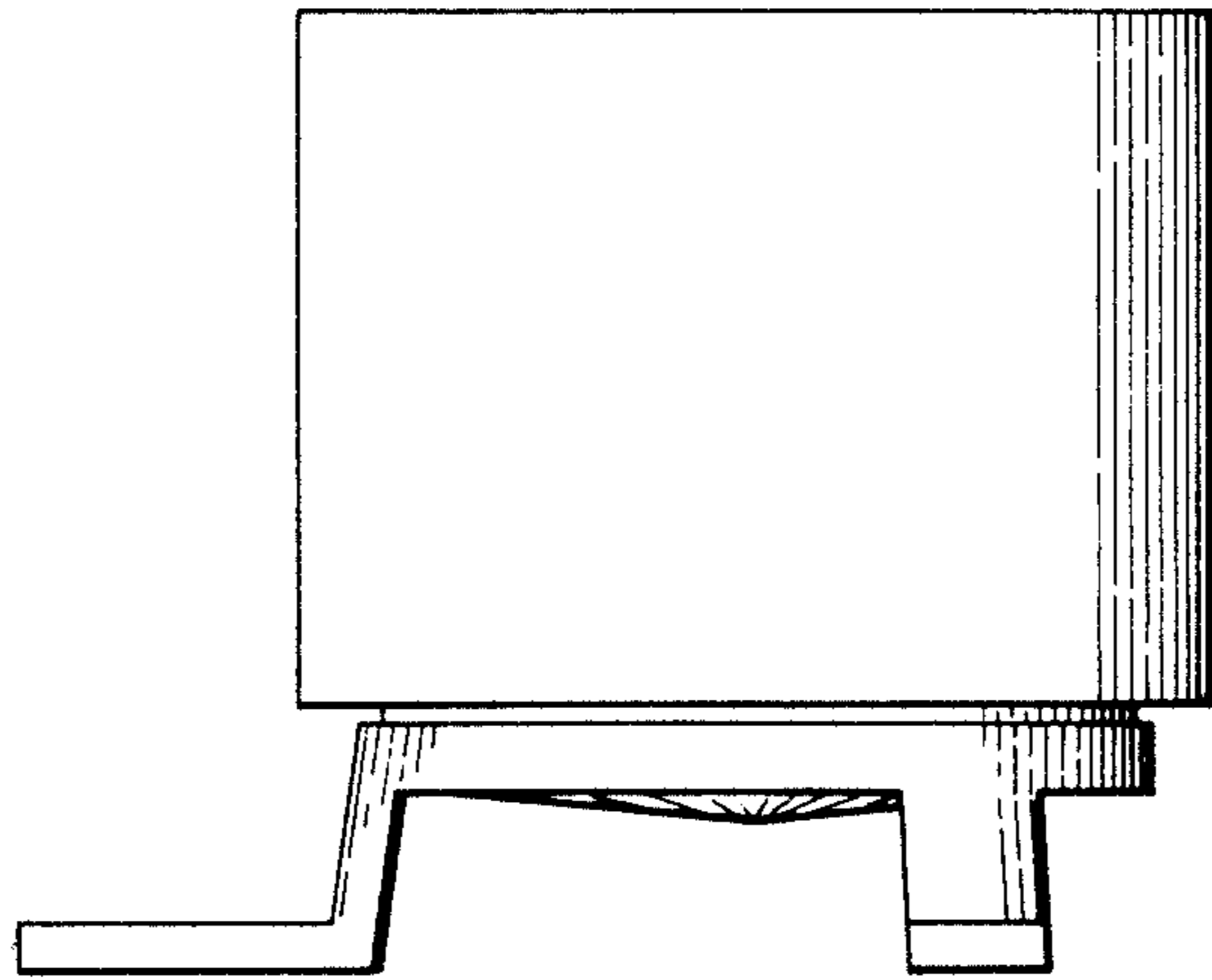


FIG. 1

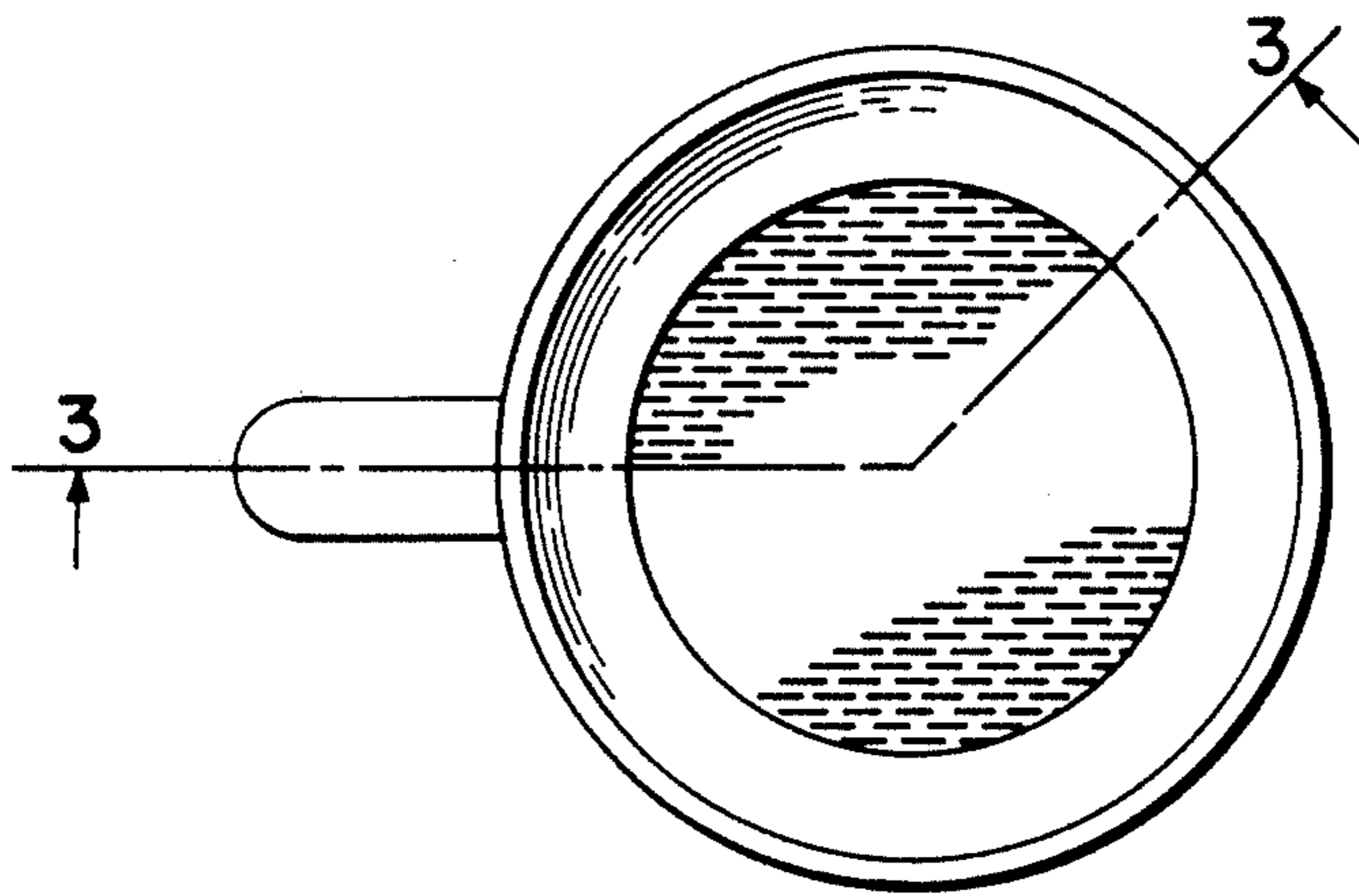


FIG. 2

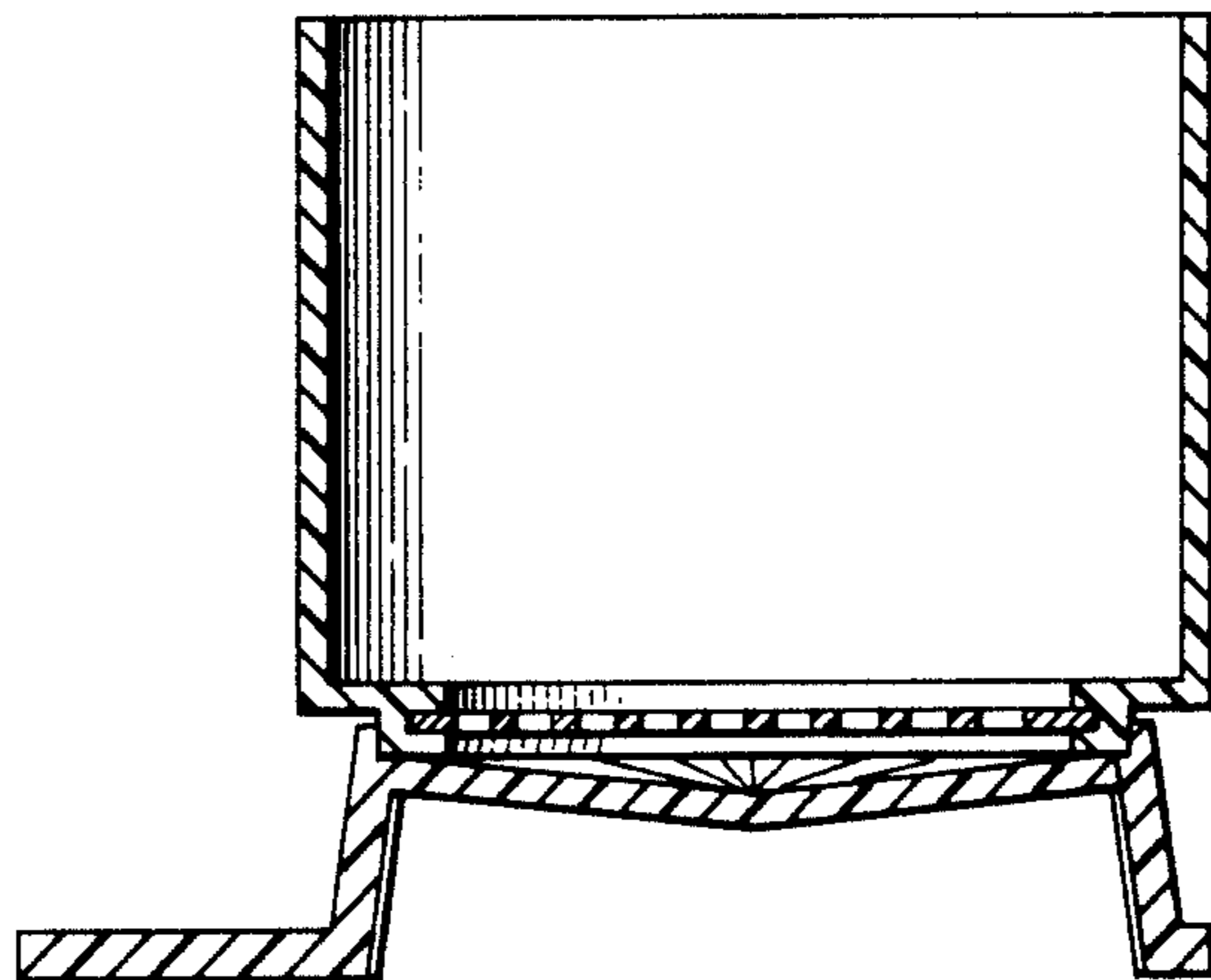


FIG. 3

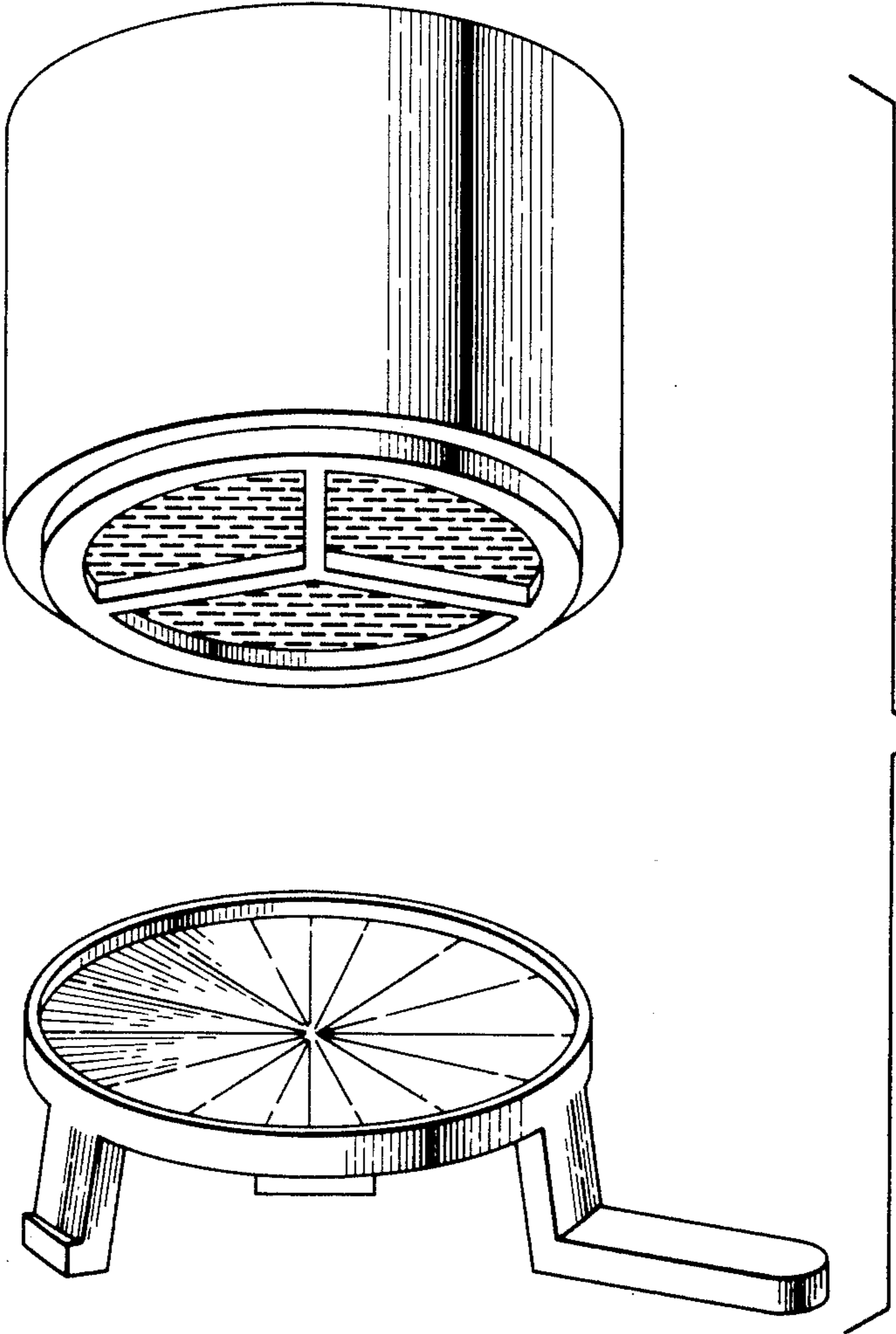


FIG. 4

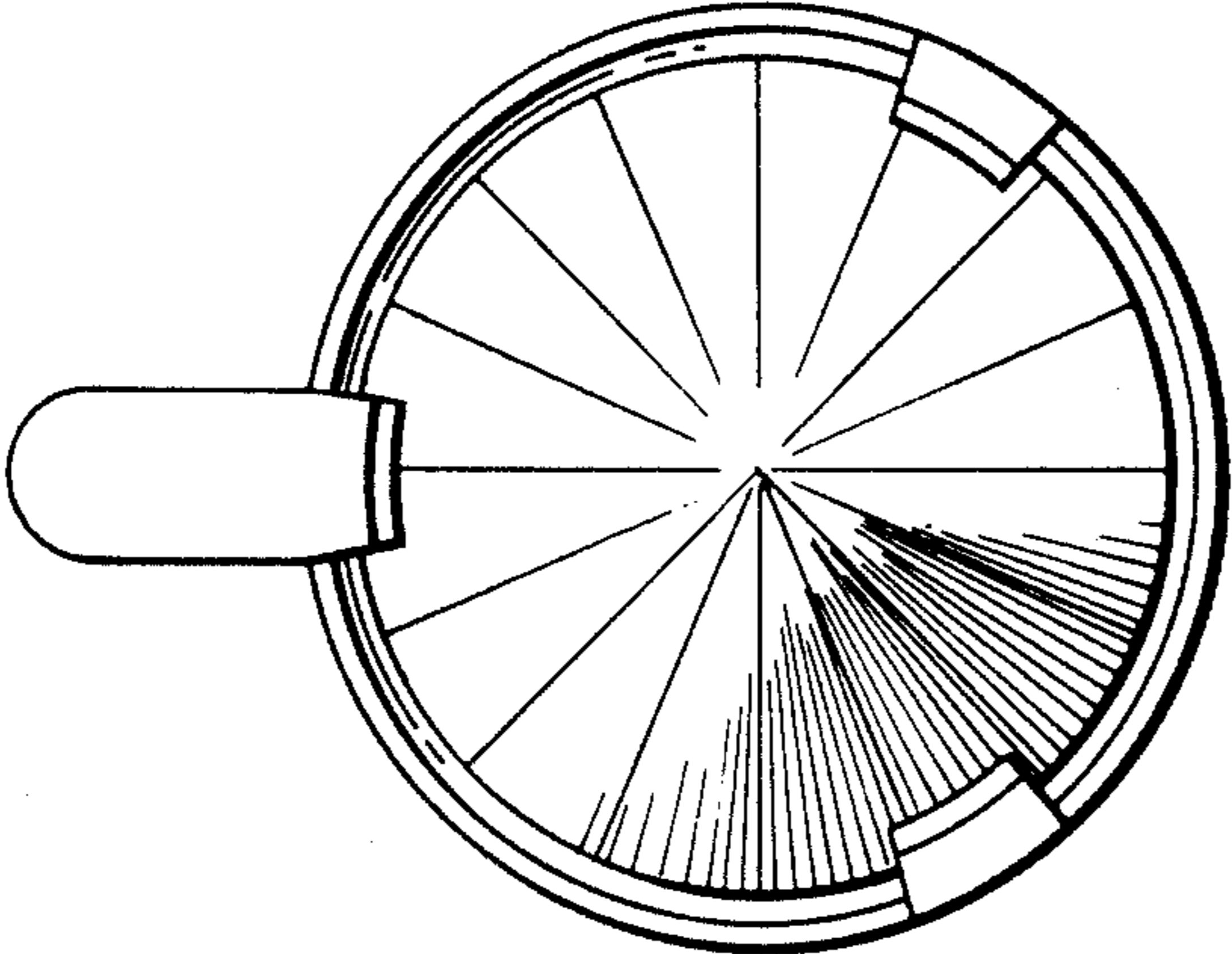


FIG. 5