

[54] SERVING TRAY

[76] Inventor: David L. Romanoff, 29 E. 28th St., New York, N.Y. 10016

[**] Term: 14 Years

[21] Appl. No.: 791,161

[22] Filed: Apr. 26, 1977

[51] Int. Cl. D7-99

[52] U.S. Cl. D7/37; D7/70; D9/242

[58] Field of Search D7/38, 41, 37, 70, 19, D7/21, 76; D9/219, 222, 237, 184, 187, 242, 243, 244; D87/1 R; 229/3.5 MF, 2.5 R

[56] References Cited

U.S. PATENT DOCUMENTS

D. 106,419 10/1937 Barber D7/38 X
D. 189,379 11/1960 Zebarth D9/219

D. 198,290 5/1964 Miller, Jr. et al. D9/219
D. 214,832 8/1969 Bloch et al. D9/219
D. 241,106 8/1976 Krieger et al. D7/37
3,067,921 12/1962 Reifers D7/37 X

Primary Examiner—Winifred E. Herrmann
Attorney, Agent, or Firm—Leon E. Tenenbaum

[57] CLAIM

The ornamental design for a serving tray, as shown.

DESCRIPTION

FIG. 1 is a top, side and end isometric view of a serving tray showing my new design;
FIG. 2 is an end view thereof of the end not shown in FIG. 1;
FIG. 3 is a top plan view thereof;
FIG. 4 is a sectional view along the line 4-4 of FIG. 3;
FIG. 5 is a bottom plan view thereof; and
FIG. 6 is a side view thereof of the side not shown in FIG. 1.

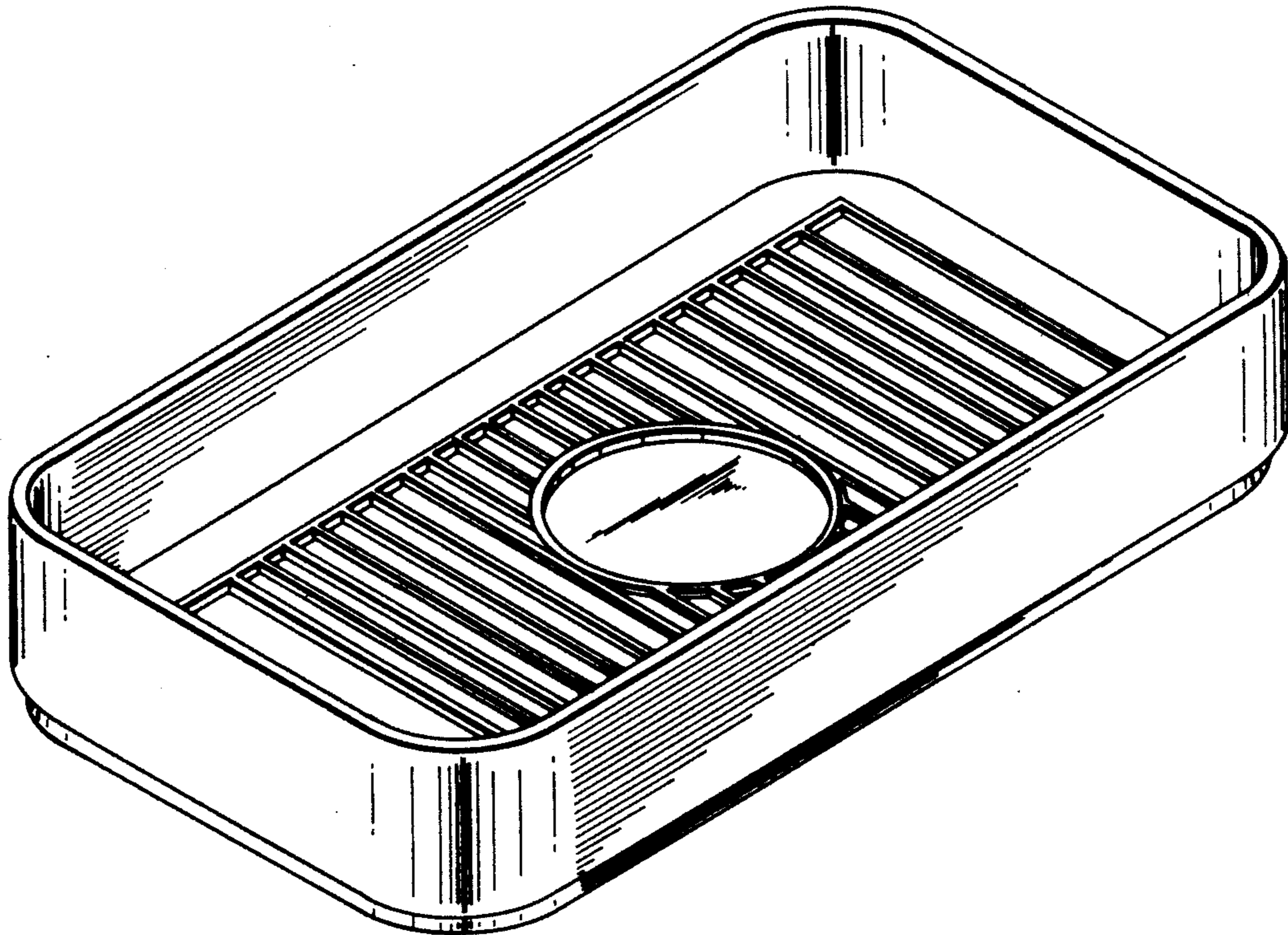


FIG. 1

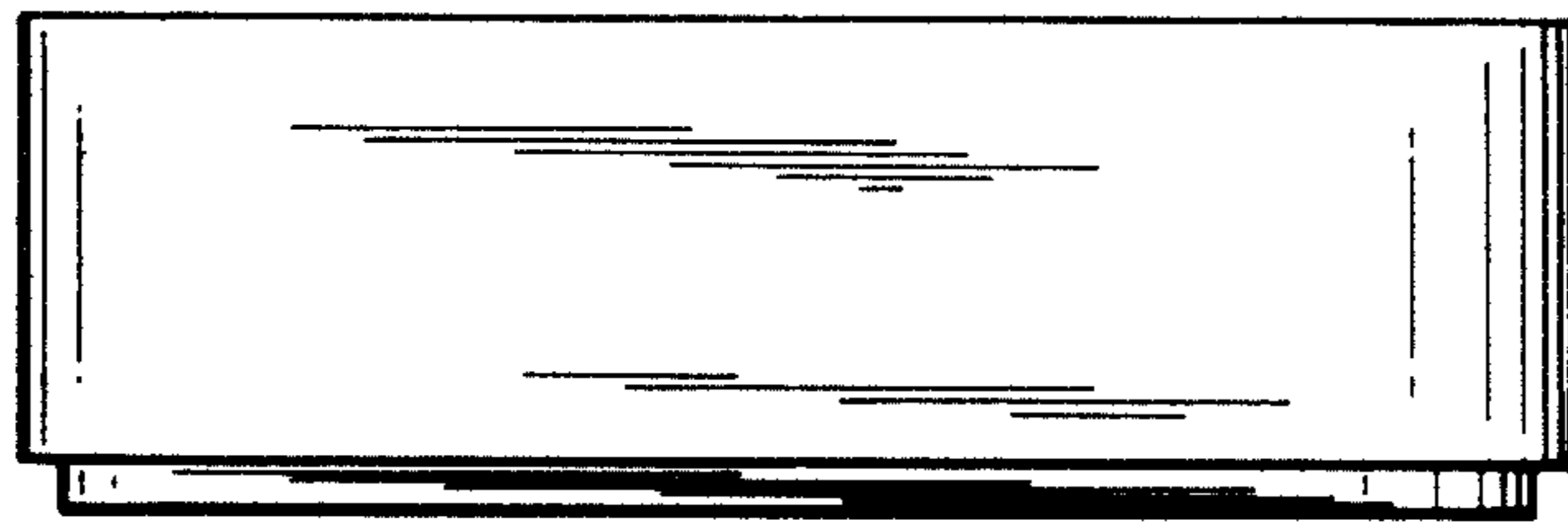
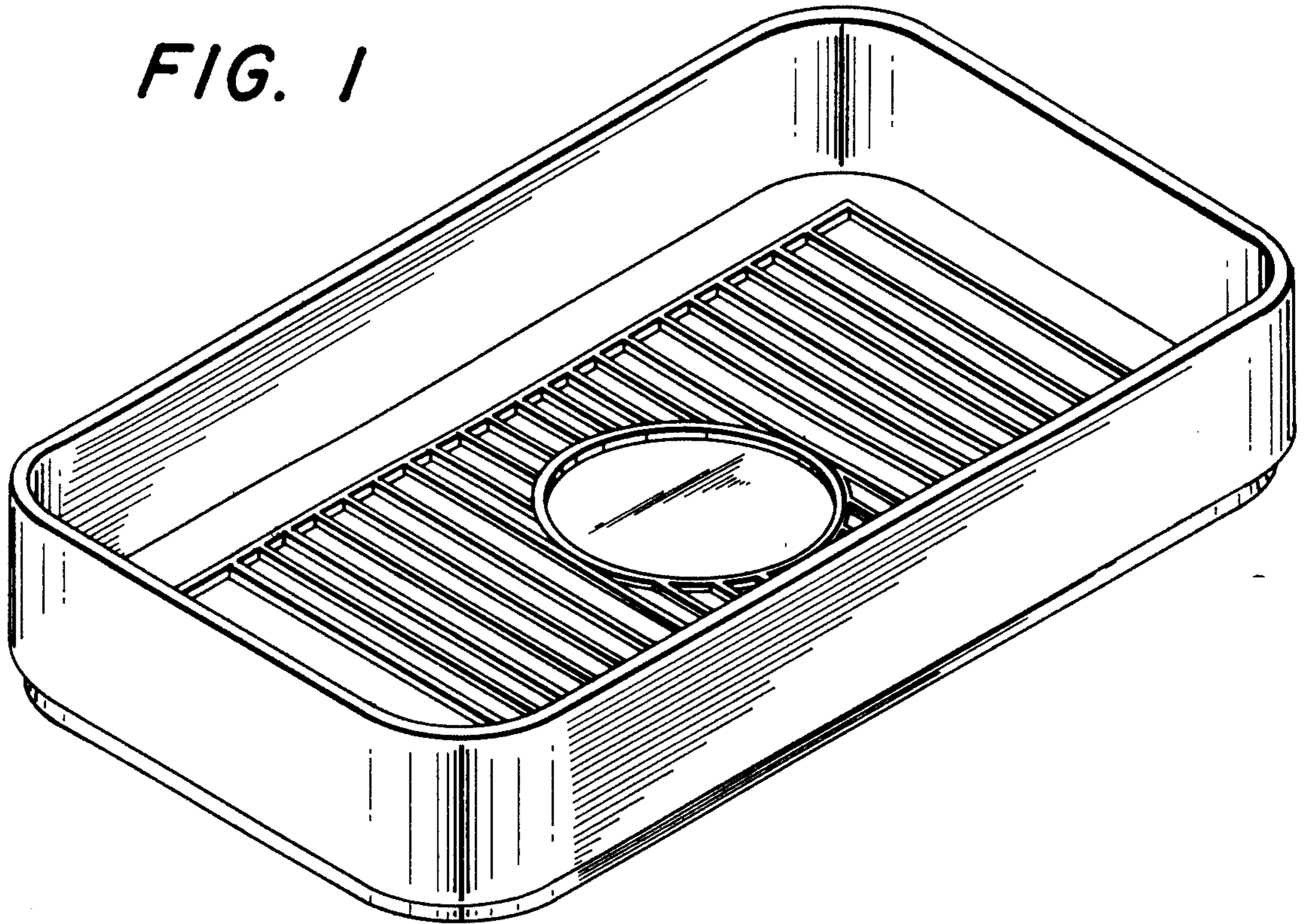


FIG. 2

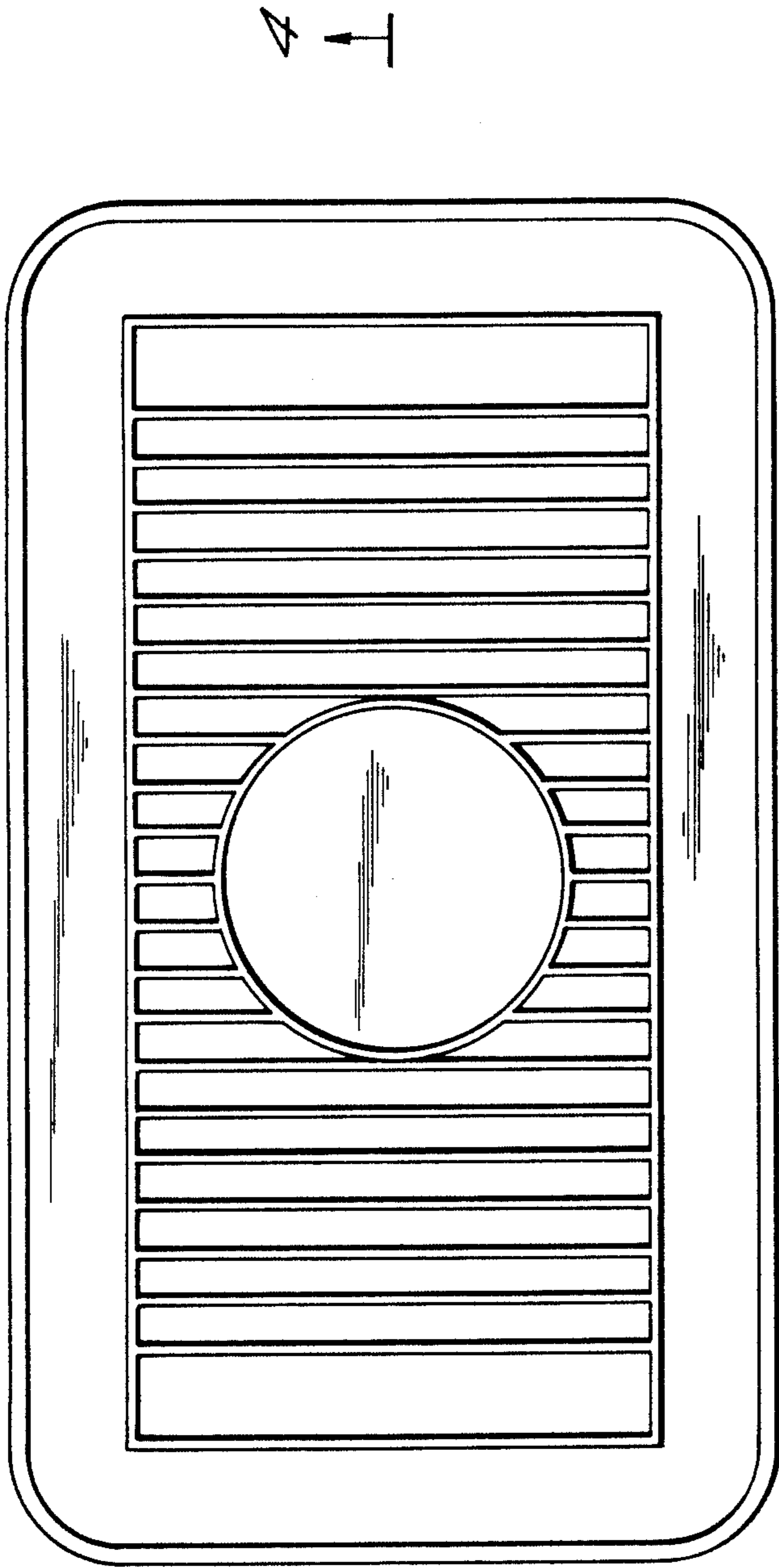


FIG. 3

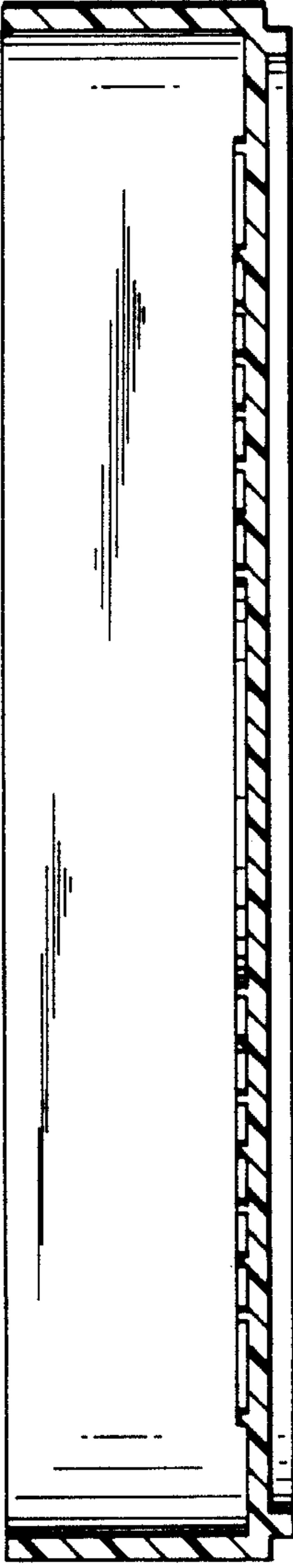


FIG. 4

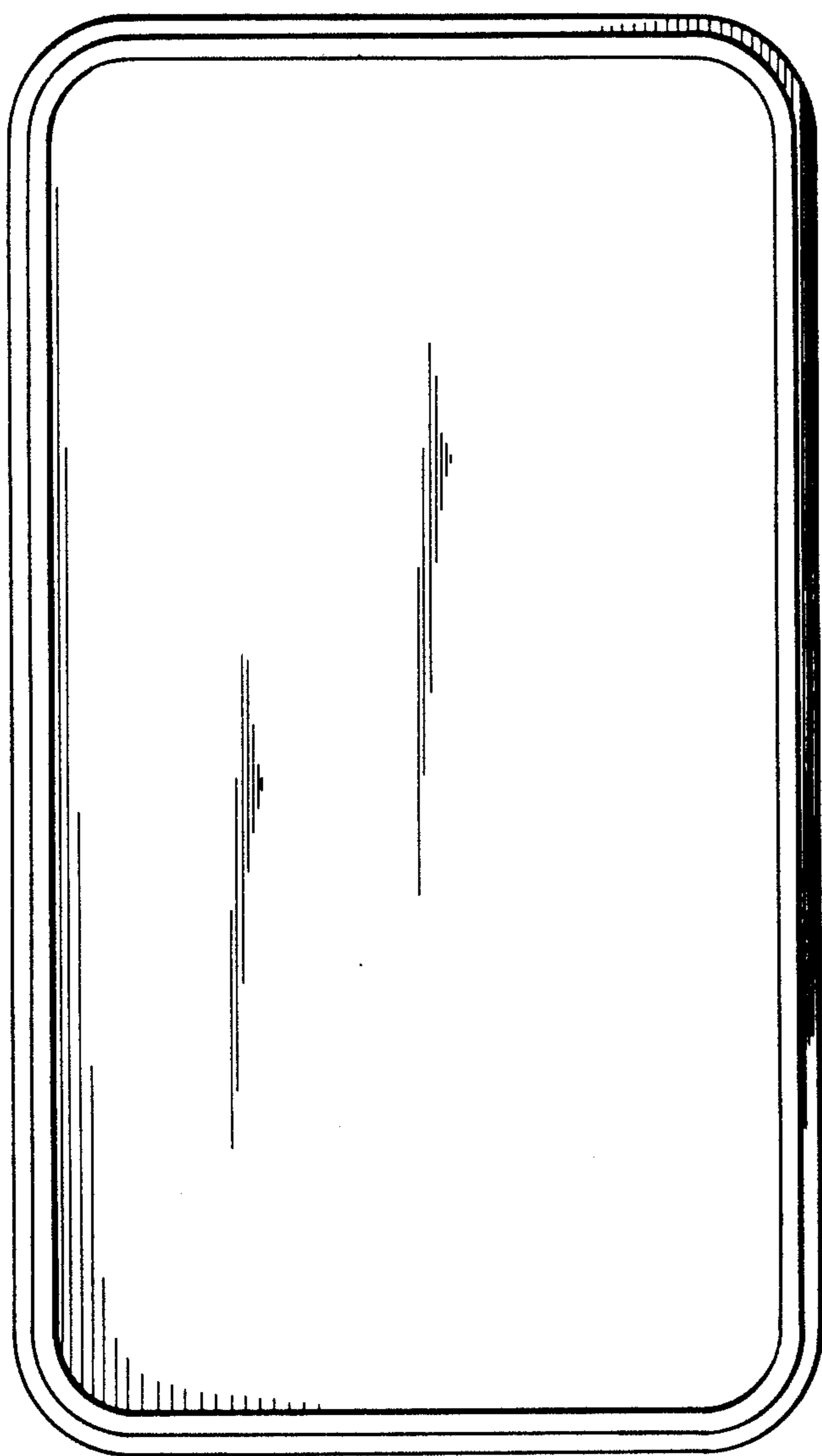


FIG. 5

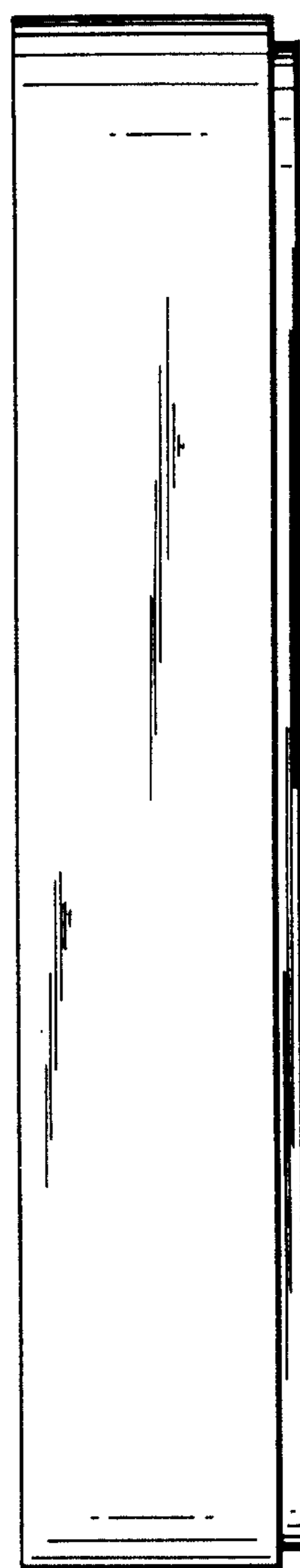


FIG. 6