

[54] COUNTER DISPLAY UNIT FOR COSMETICS

D. 243,980 4/1977 Mankowski D6/157
2,321,339 6/1943 Wadsworth 206/562

[75] Inventors: Fred Richman; Jerry Hammer, both of New York, N.Y.

FOREIGN PATENT DOCUMENTS

812229 4/1959 United Kingdom 206/44 R

[73] Assignee: Revlon, Inc., New York, N.Y.

Primary Examiner—Wallace R. Burke
Assistant Examiner—B. J. Bullock
Attorney, Agent, or Firm—Leon E. Tenenbaum

[**] Term: 14 Years

[21] Appl. No.: 731,031

[57] CLAIM

[22] Filed: Oct. 8, 1976

The ornamental design for a counter display unit for cosmetics, as shown.

[51] Int. Cl. D20-02

[52] U.S. Cl. D6/188

[58] Field of Search D6/85, 140, 142, 146,
D6/151, 157, 180, 181, 184, 186, 188, 189;
D24/32; 206/44 R, 45.14, 214, 486, 487, 526,
526-564; 211/13, 60 T, 69, 69.1, 74

DESCRIPTION

FIG. 1 is a perspective view of a counter display unit for cosmetics showing my new design;
FIG. 2 is a side elevational view taken from the left of FIG. 1.

[56] References Cited

U.S. PATENT DOCUMENTS

D. 214,969 8/1969 Lebedeff D6/188

FIG. 3 is a top plan view;

FIG. 4 is a front elevation view; and

FIG. 5 is a rear elevational view thereof.

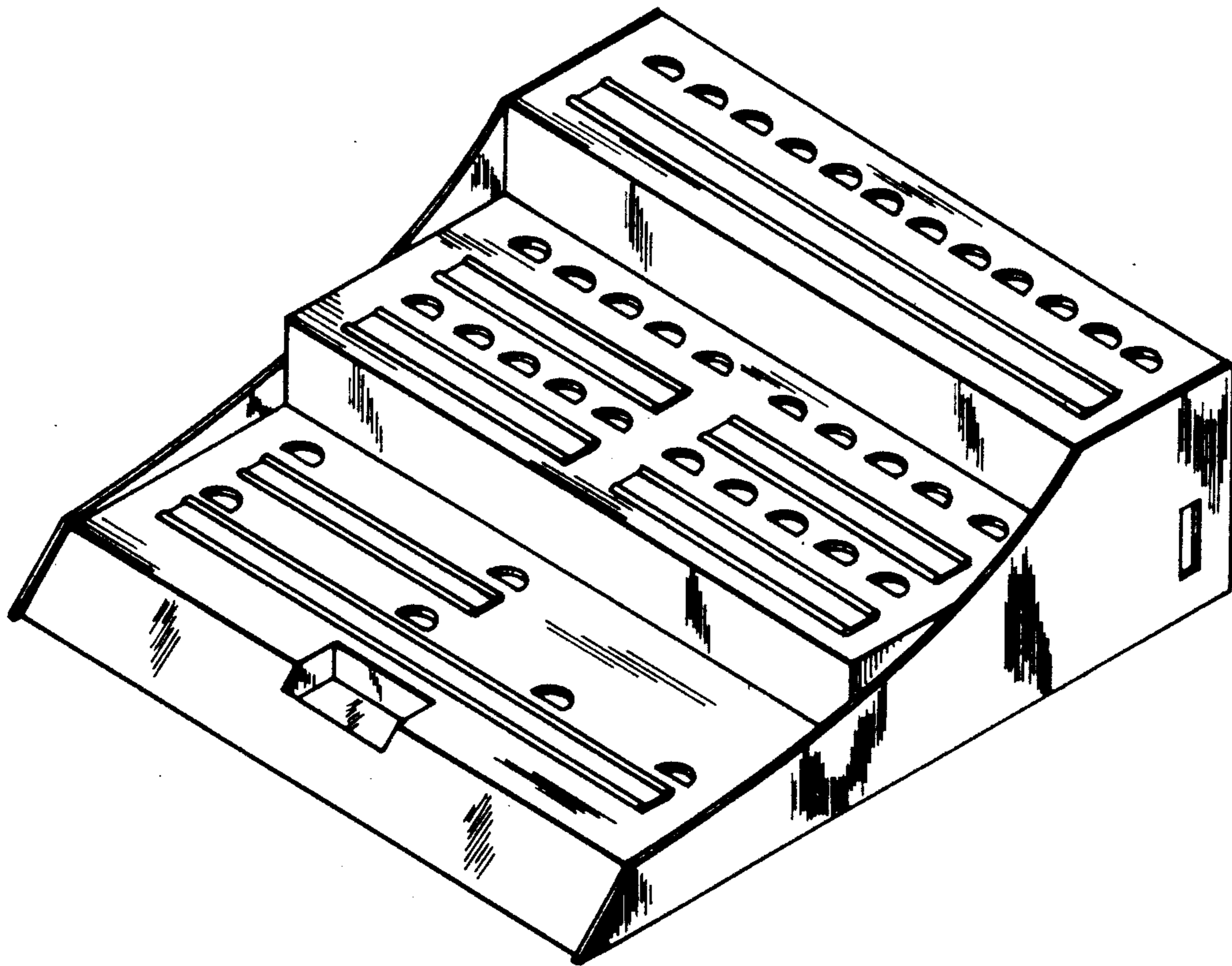


FIG. 1

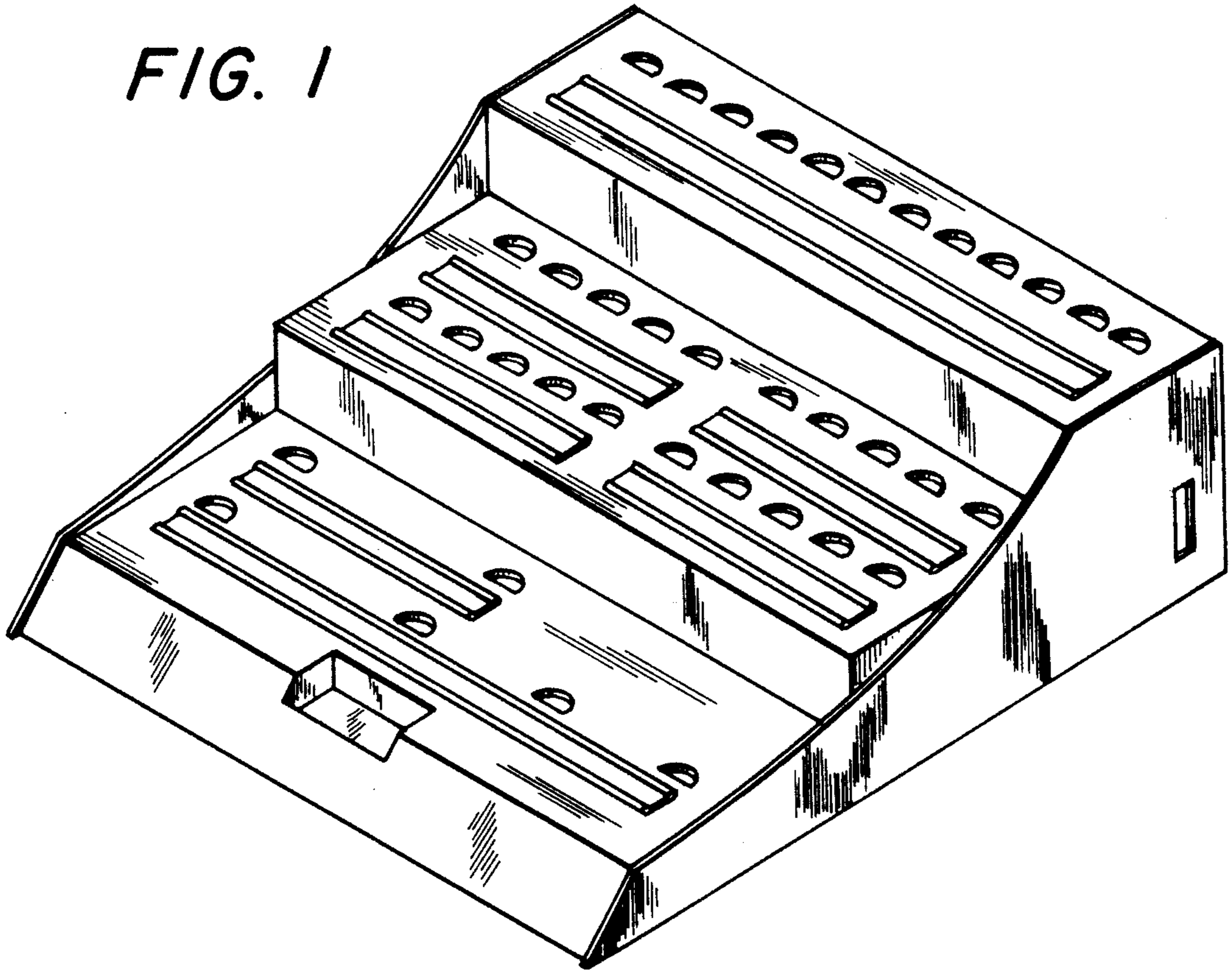


FIG. 2

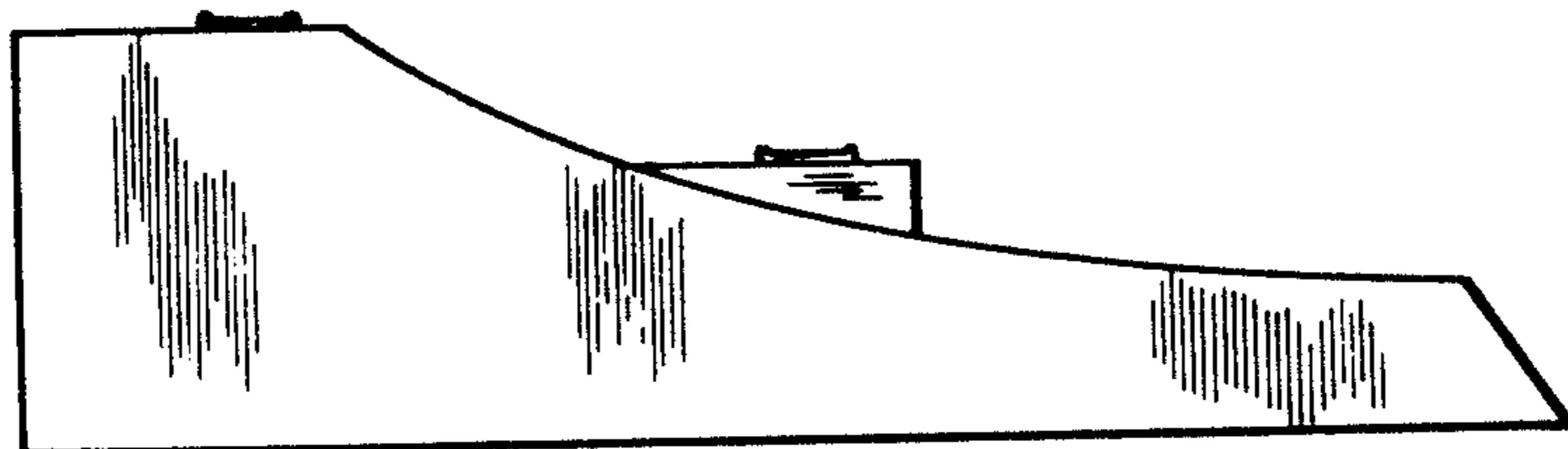


FIG. 3

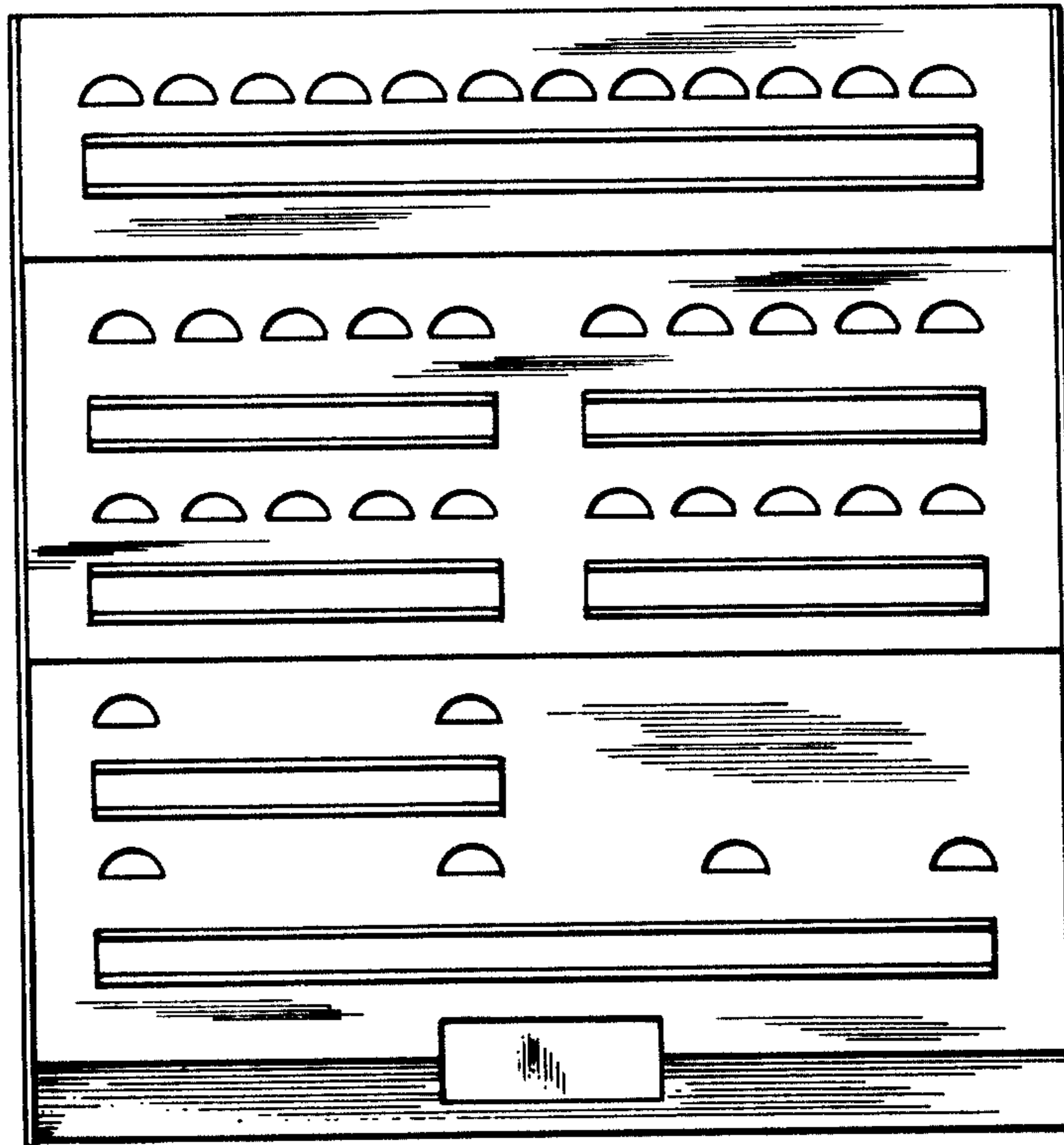


FIG. 4

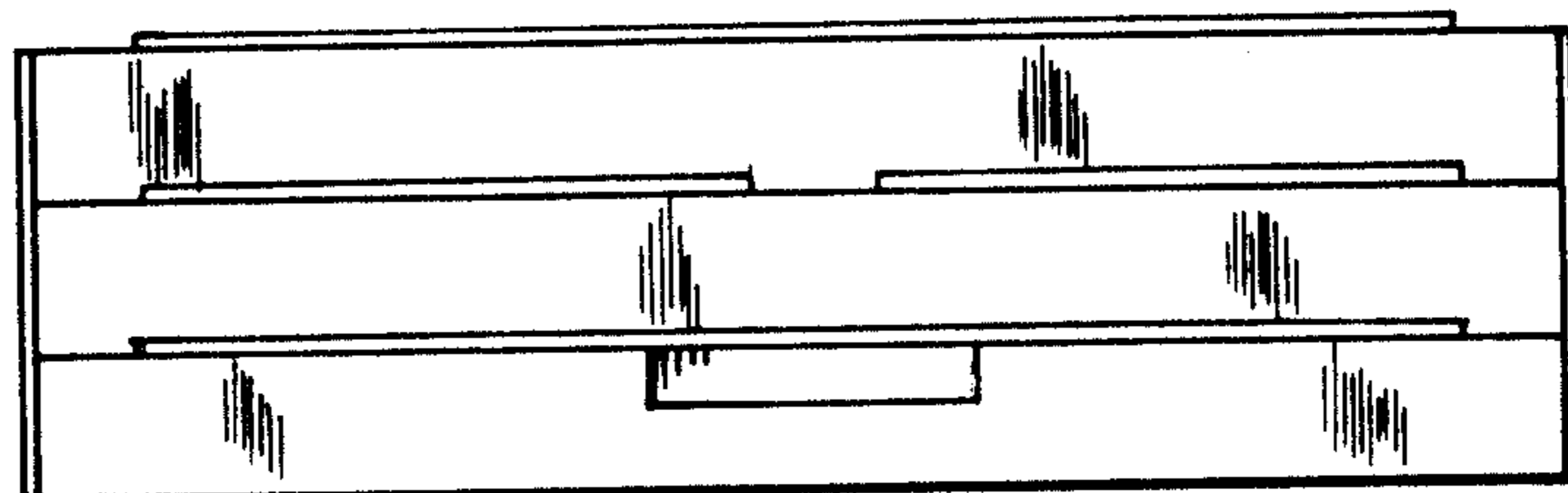


FIG. 5

