

[54] BATH TUB TRAY

[76] Inventor: Thomas Holstein, 3300 N. Lake Shore Dr., Chicago, Ill. 60657

[\*\*] Term: 14 Years

[21] Appl. No.: 715,558

[22] Filed: Aug. 18, 1976

[51] Int. Cl. .... D6-04

[52] U.S. Cl. .... D6/86

[58] Field of Search ..... D6/85, 86, 91, 106, D6/114, 125, 138, 184, 199; D19/90, 91; D12/133; 108/42, 43, 49, 152; 211/42; 248/441 B, 441 D, 444, 451, 452, 454, 455, 456; 297/174

[56] References Cited

U.S. PATENT DOCUMENTS

2,167,795 8/1939 Bentz ..... D6/86  
2,852,785 9/1958 Mikola ..... D6/86

3,239,850 3/1966 Kiss ..... D6/86  
3,834,782 9/1974 Pampinella ..... D6/86

OTHER PUBLICATIONS

Design, 3/1971, p. 40, Bathtub Tray #3.  
Modern Plastics, p. 98, 12/1947, Bathtub Dressing Table.

Primary Examiner—Wallace R. Burke  
Assistant Examiner—B. J. Bullock  
Attorney, Agent, or Firm—Richard E. Alexander

[57] CLAIM

The ornamental design for a bath tub tray, substantially as shown.

DESCRIPTION

FIG. 1 is a perspective view of the bath tub tray showing my new design;  
FIG. 2 is a side elevational view thereof;  
FIG. 3 is a rear elevational view thereof;  
FIG. 4 is a top plan view thereof.

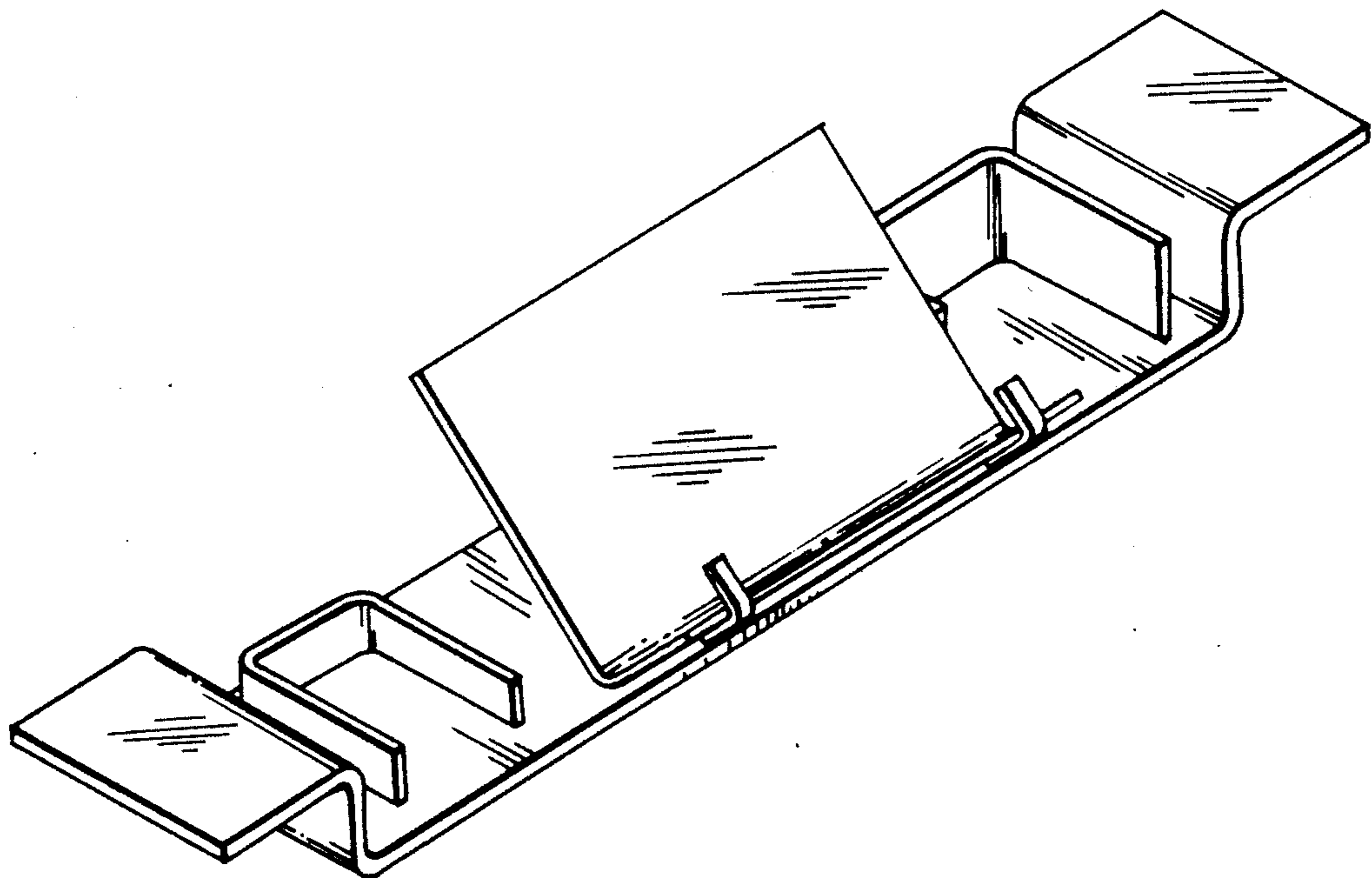


FIG. 1

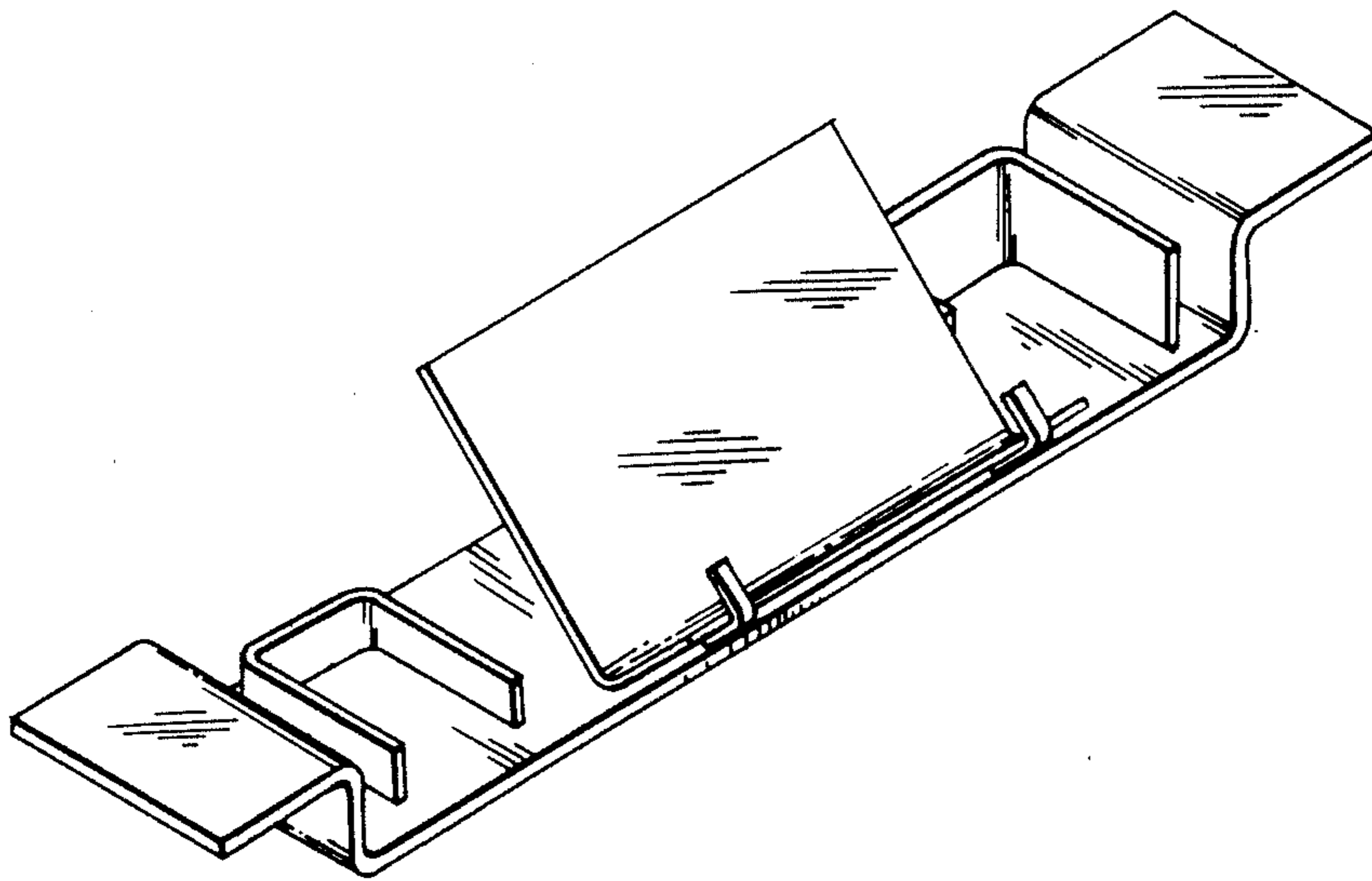


FIG. 2

FIG. 3

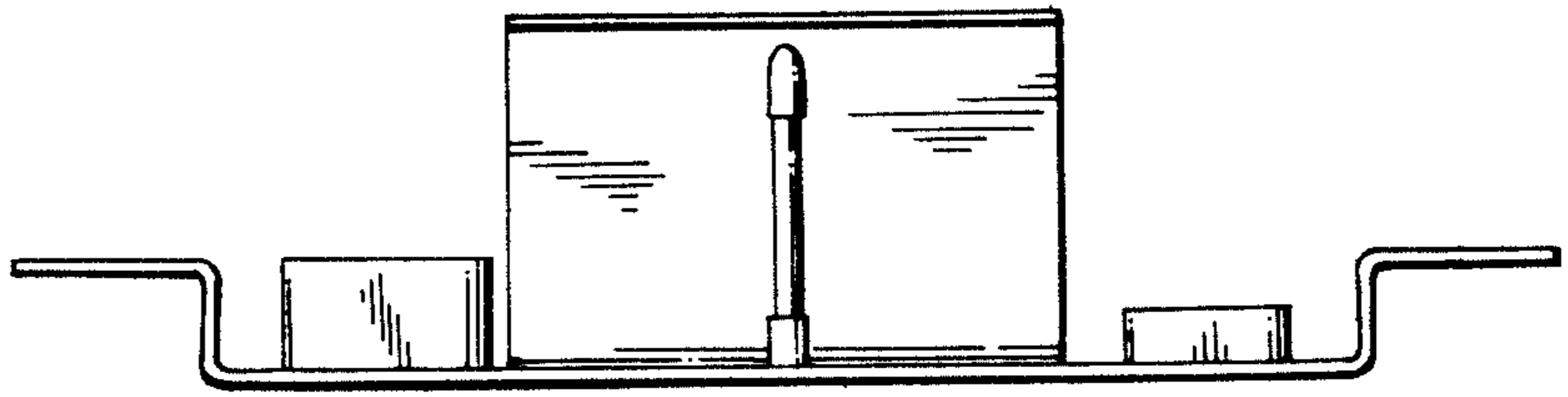
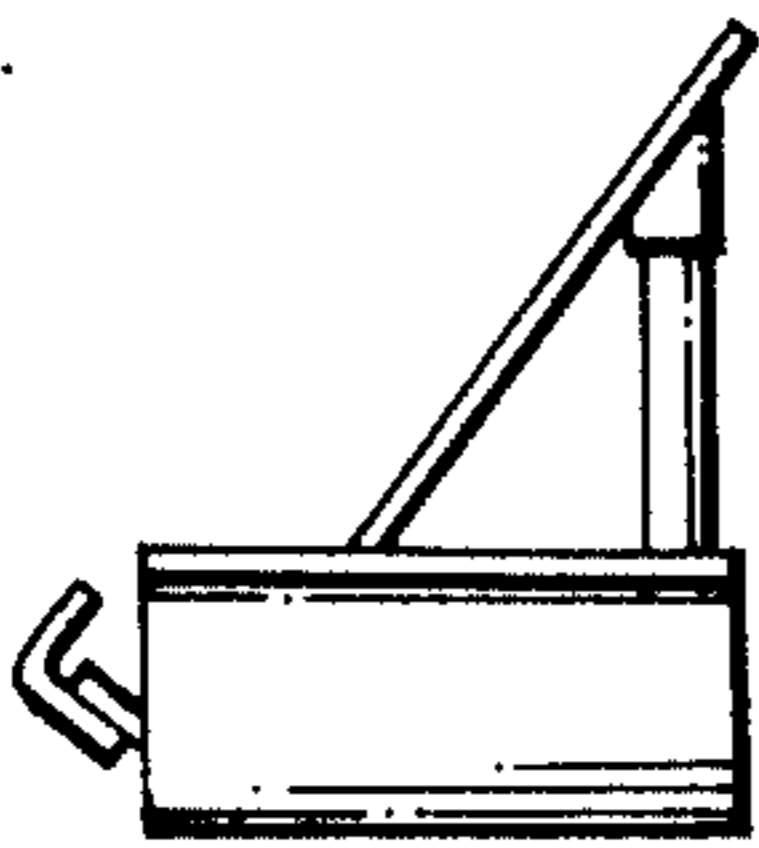


FIG. 4

