

[54] CARRYING CASE

[75] Inventor: Marvin Cooper, New Rochelle, N.Y.

[73] Assignee: Dynamic Classics, Ltd., New York, N.Y.

[\*\*] Term: 14 Years

[21] Appl. No.: 806,917

[22] Filed: Jun. 15, 1977

[51] Int. Cl. .... D3-01

[52] U.S. Cl. .... D87/5 B; D87/1 R;  
D87/5 R; D87/5 G

[58] Field of Search ..... D87/1 R, 3 R, 3 F, 5 R,  
D87/5 B, 5 F, 5 G; 150/1, 1.6; 190/41 R, 44,  
41.2, 42, 51, 52

[56] References Cited

U.S. PATENT DOCUMENTS

2,577,670 12/1951 Adams ..... 190/52  
2,989,998 6/1961 Harris ..... D87/5 B

3,830,348 8/1974 Ohyama ..... 190/44  
3,837,447 9/1974 Honan ..... 190/44

Primary Examiner—Joel Stearman  
Assistant Examiner—George P. Word  
Attorney, Agent, or Firm—Morton Amster

[57] CLAIM

The ornamental design for a carrying case, substantially as shown and described.

DESCRIPTION

FIG. 1 is a front elevational view of a carrying case showing my new design with the cover of the attached portfolio in an open position, the fabric texture shown fragmentarily on the portfolio section being continuous throughout on the surfaces indicated;

FIG. 2 is a left side elevational view thereof;

FIG. 3 is a rear elevational view thereof;

FIG. 4 is a top plan view thereof; and

FIG. 5 is a bottom plan view thereof.

The right side elevational view of the carrying case is the mirror image of the left side elevational view.

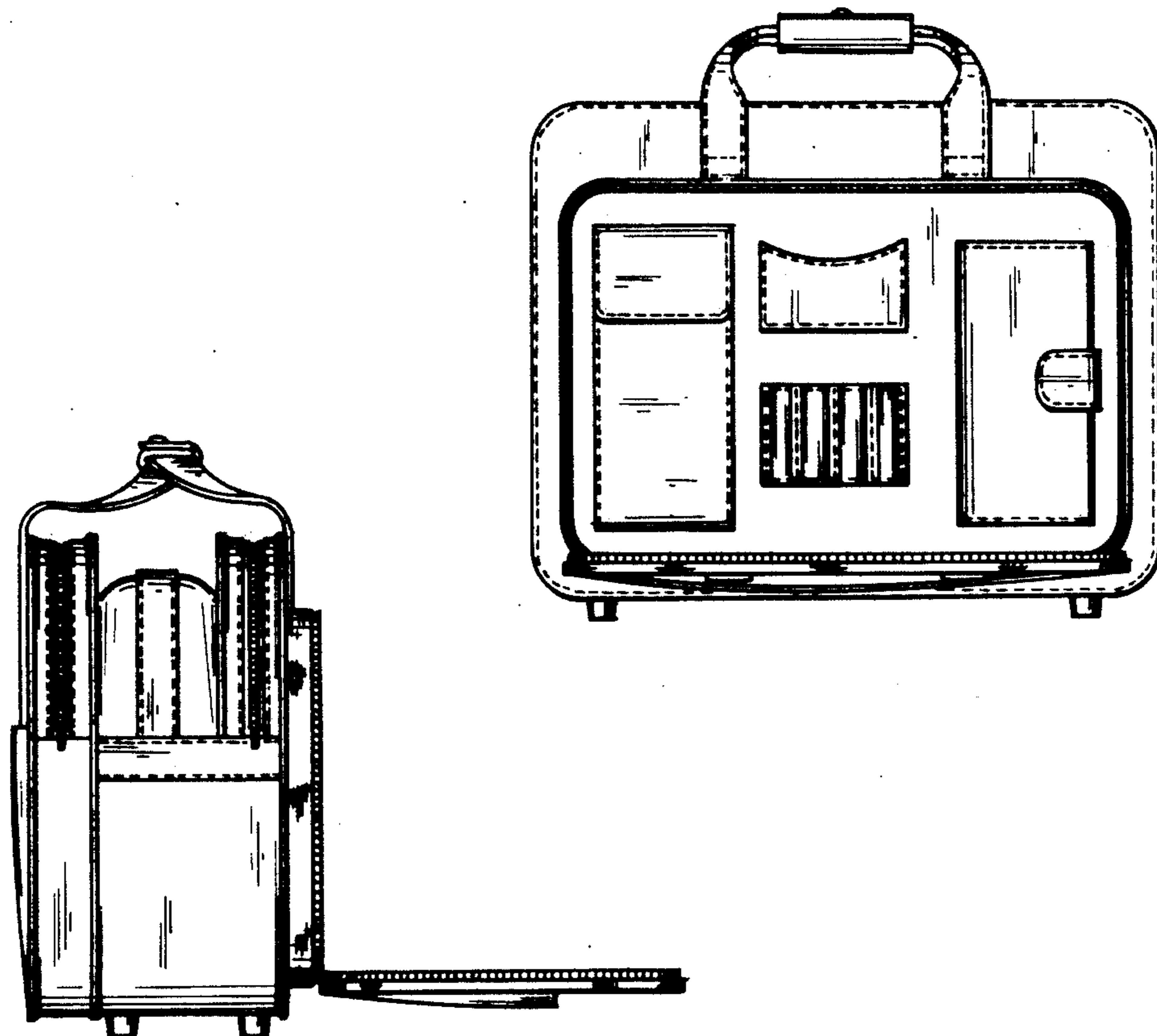


FIG. 1.

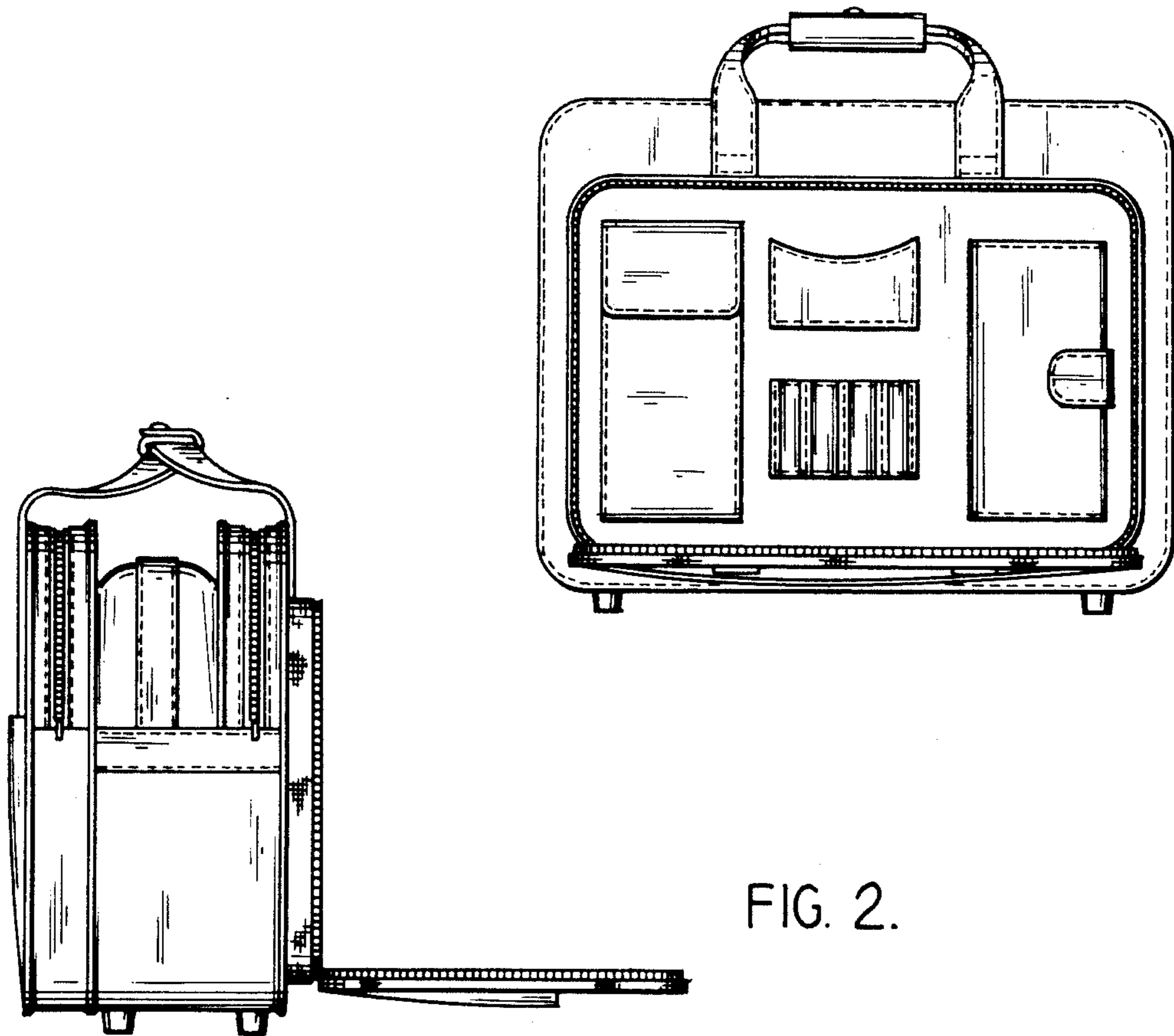


FIG. 2.

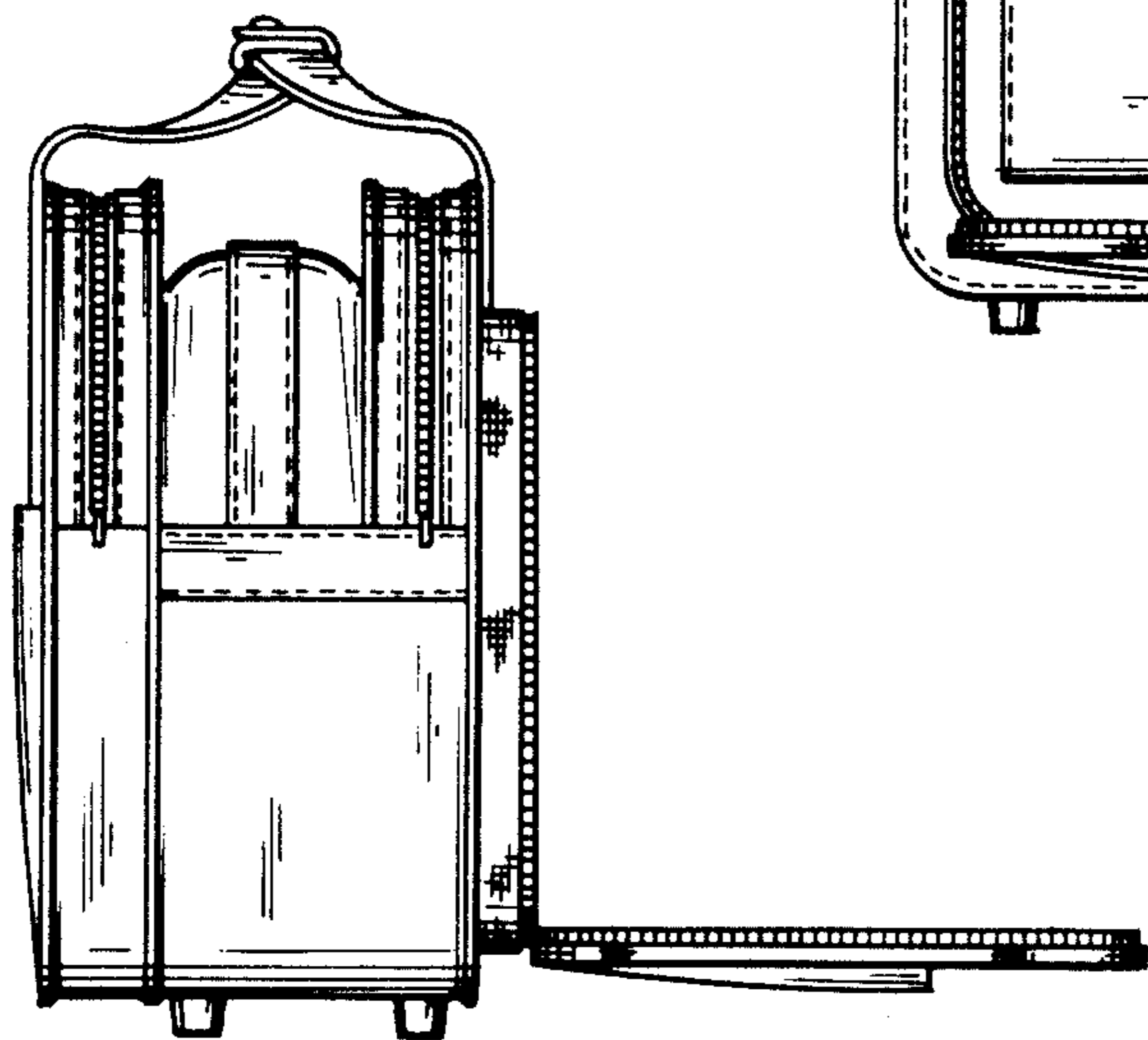


FIG. 3.

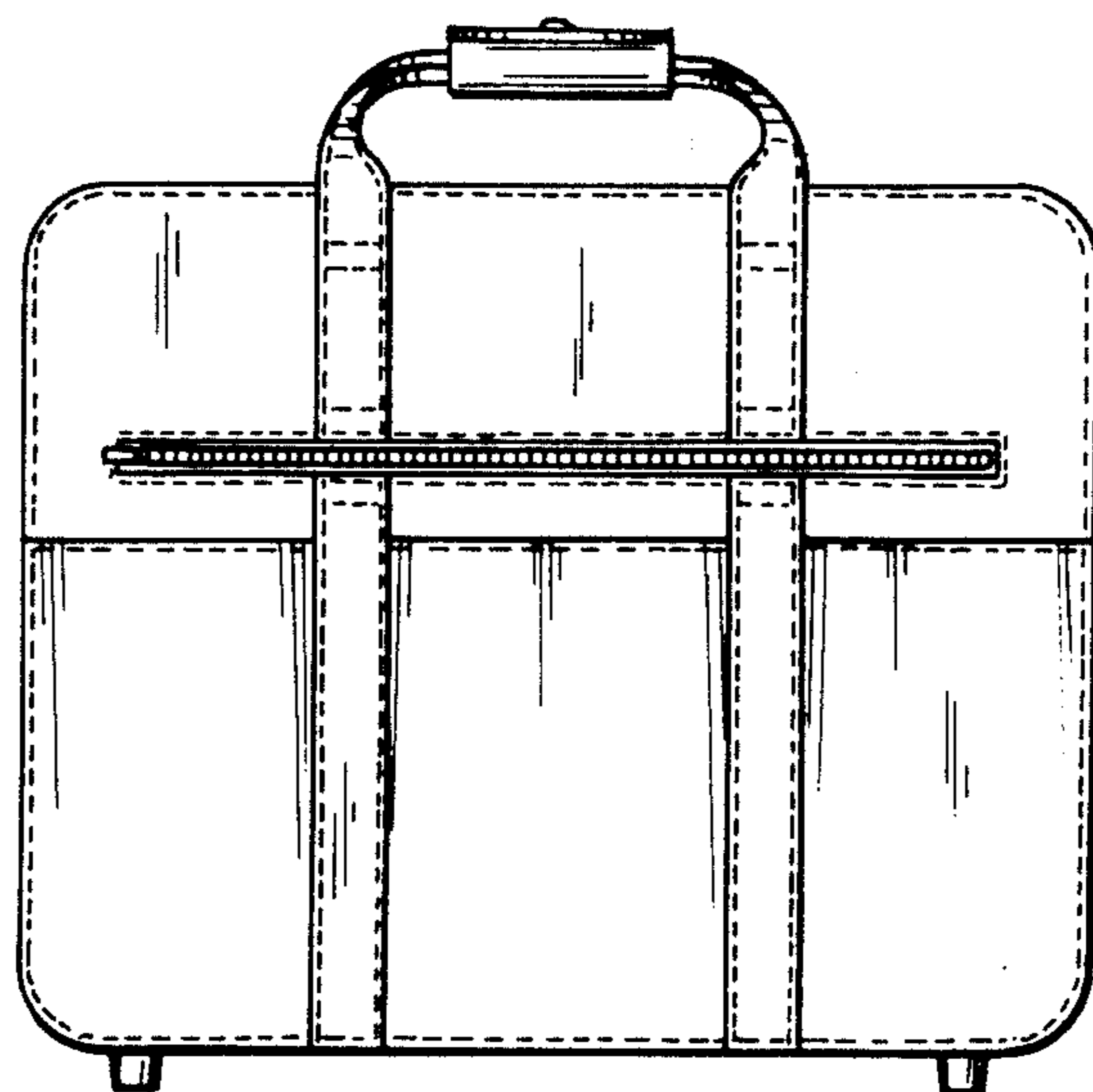


FIG. 4.

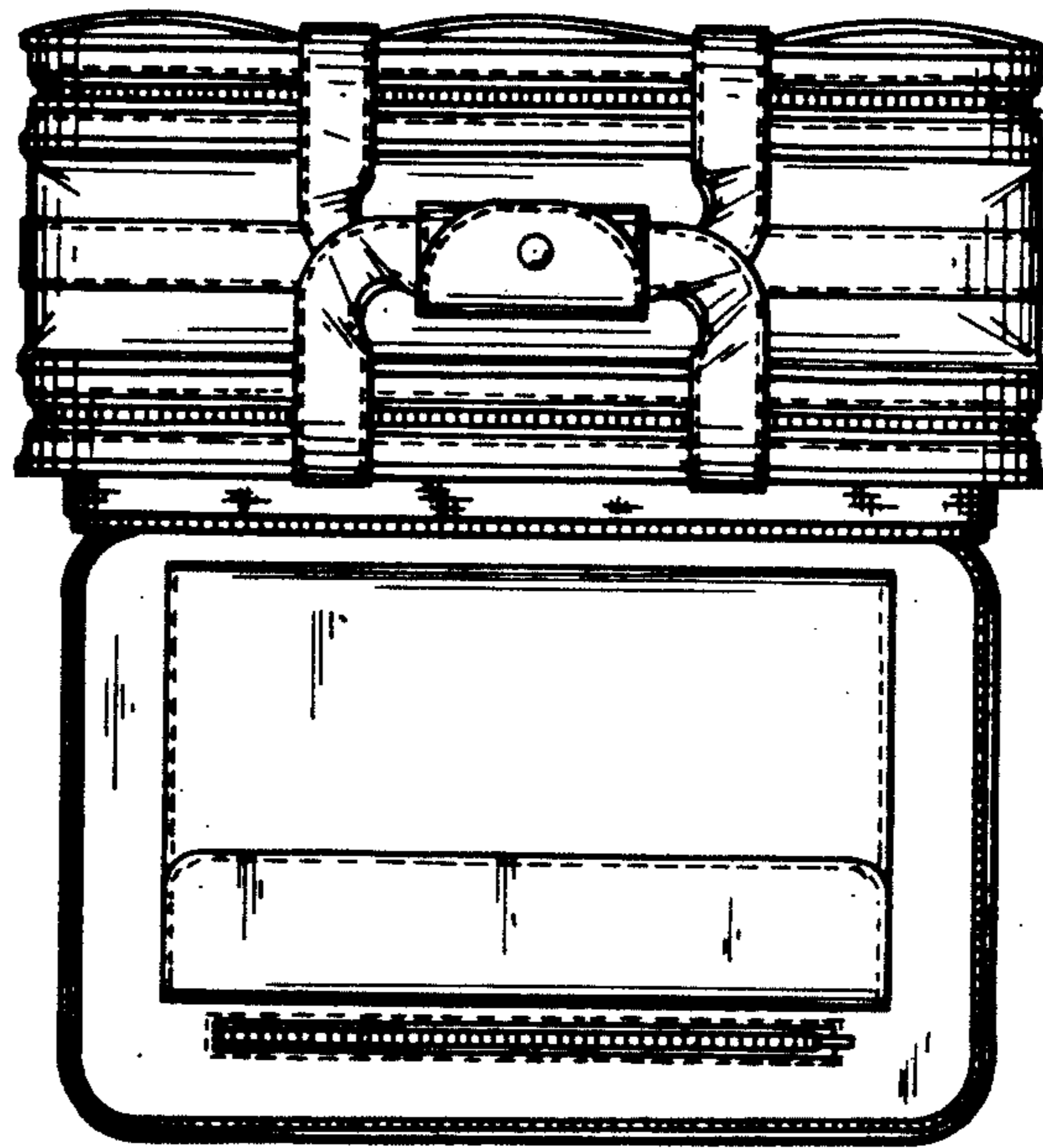


FIG. 5.

