

[54] SPOTLIGHT

3,441,730 4/1969 Doring et al. D48/24 R X

[75] Inventor: Lester H. Bennett, Los Alamitos, Calif.

Primary Examiner—Susan J. Lucas
Attorney, Agent, or Firm—Francis A. Utecht

[73] Assignee: Bon-Aire Industries, Inc., Signal Hill, Calif.

[57] CLAIM

[**] Term: 14 Years

The ornamental design for a spotlight, substantially as shown and described.

[21] Appl. No.: 786,956

DESCRIPTION

[22] Filed: Apr. 12, 1977

FIG. 1 is a perspective view of a spotlight showing my new design;

[51] Int. Cl. D26—04; D26—02

FIG. 2 is a side elevational view of such spotlight on an enlarged scale;

[52] U.S. Cl. D48/20 K; D48/24 R

FIG. 3 is a front view of said spotlight on an enlarged scale;

[58] Field of Search D48/24 R, 24 A, 20 K; 362/158, 161, 164, 183, 184, 187, 188, 189, 190, 191, 194, 196, 201, 202, 203, 204, 205, 208

FIG. 4 is a rear view of said spotlight on an enlarged scale;

[56] References Cited

U.S. PATENT DOCUMENTS

D. 138,953 9/1944 Warner D48/24 R
D. 214,752 7/1969 Zabolski D48/24 R

FIG. 5 is a top plan view of said spotlight on an enlarged scale; and

FIG. 6 is a bottom view of said spotlight on an enlarged scale.

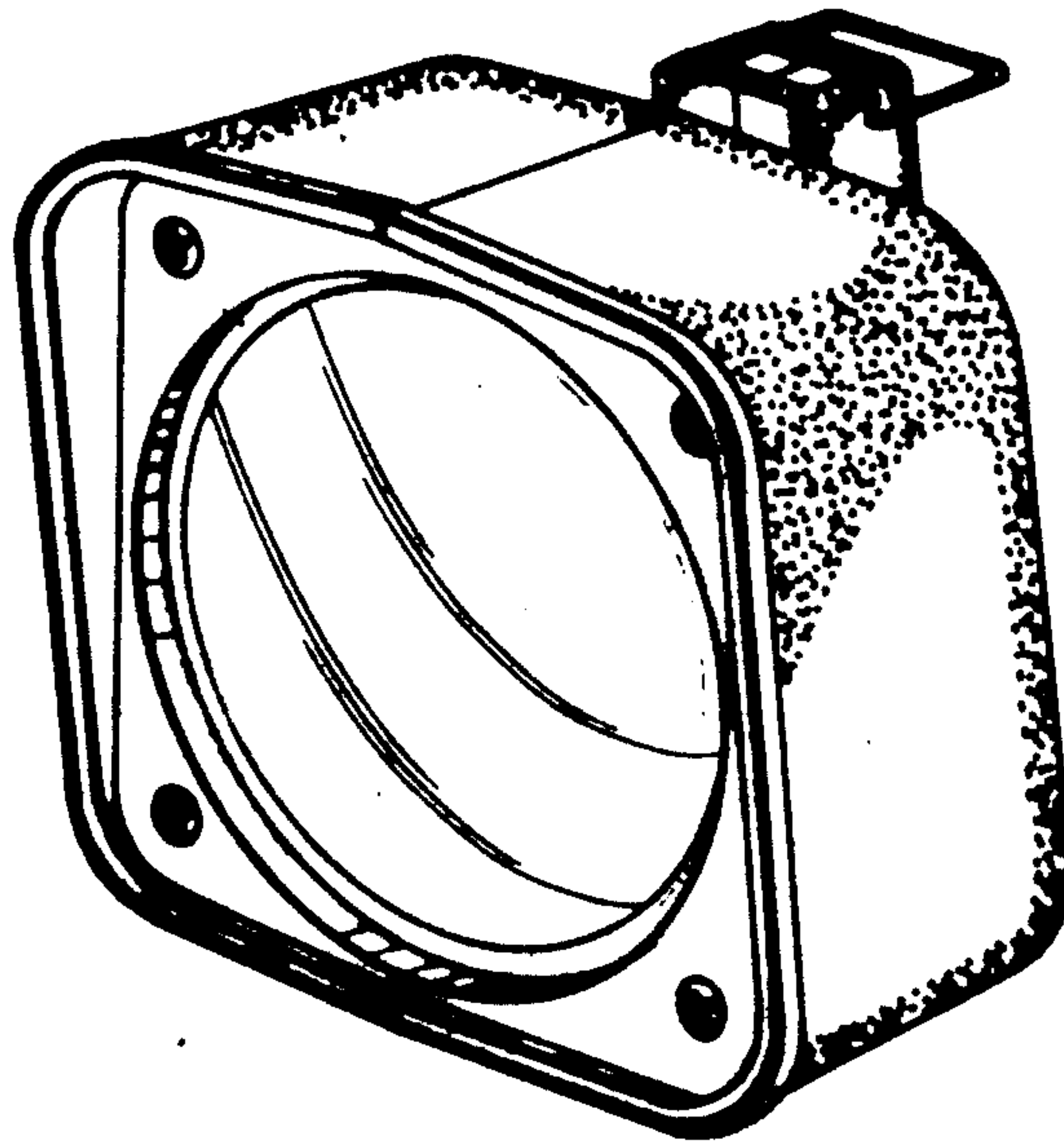


FIG. 1

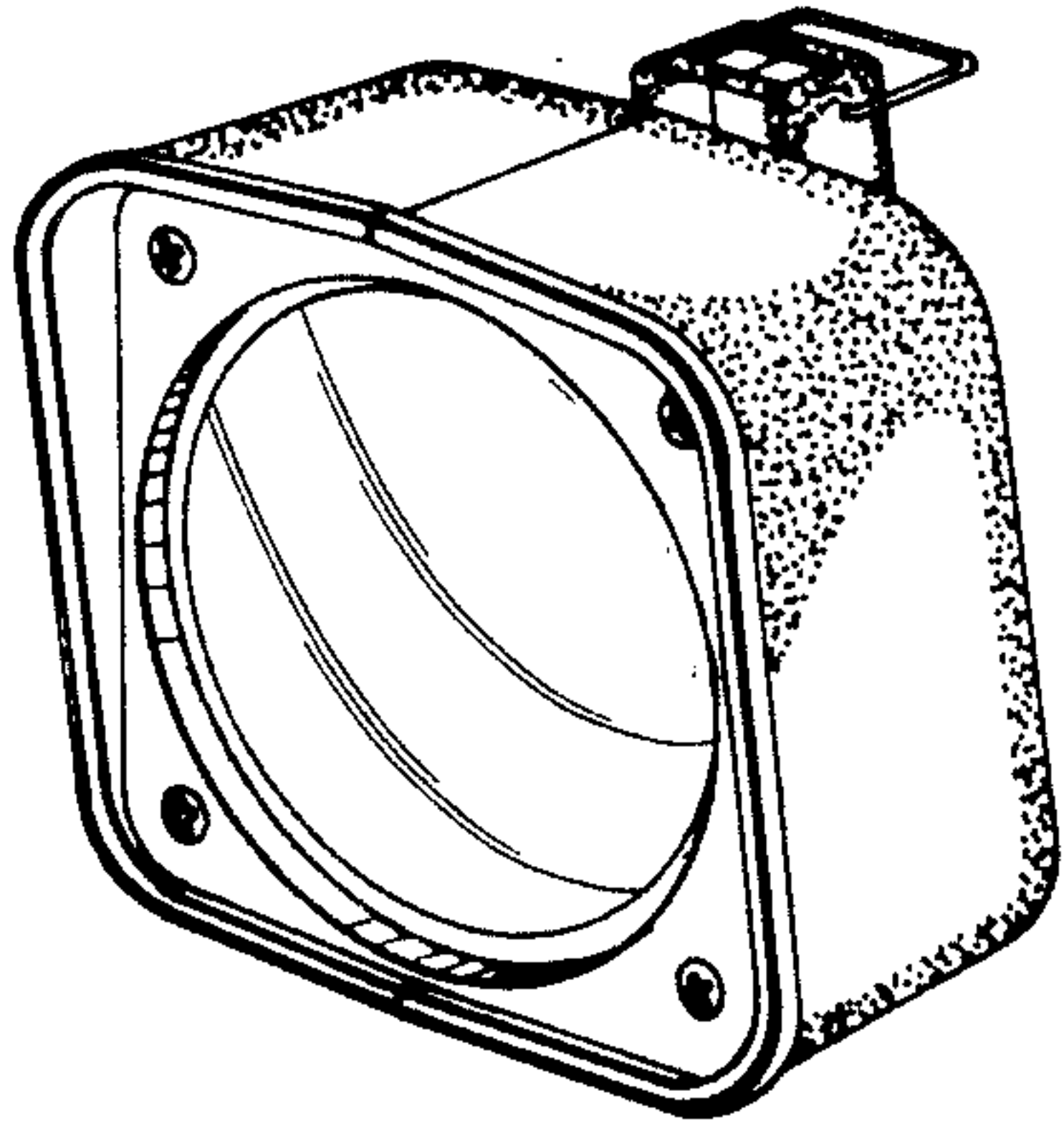


FIG. 2

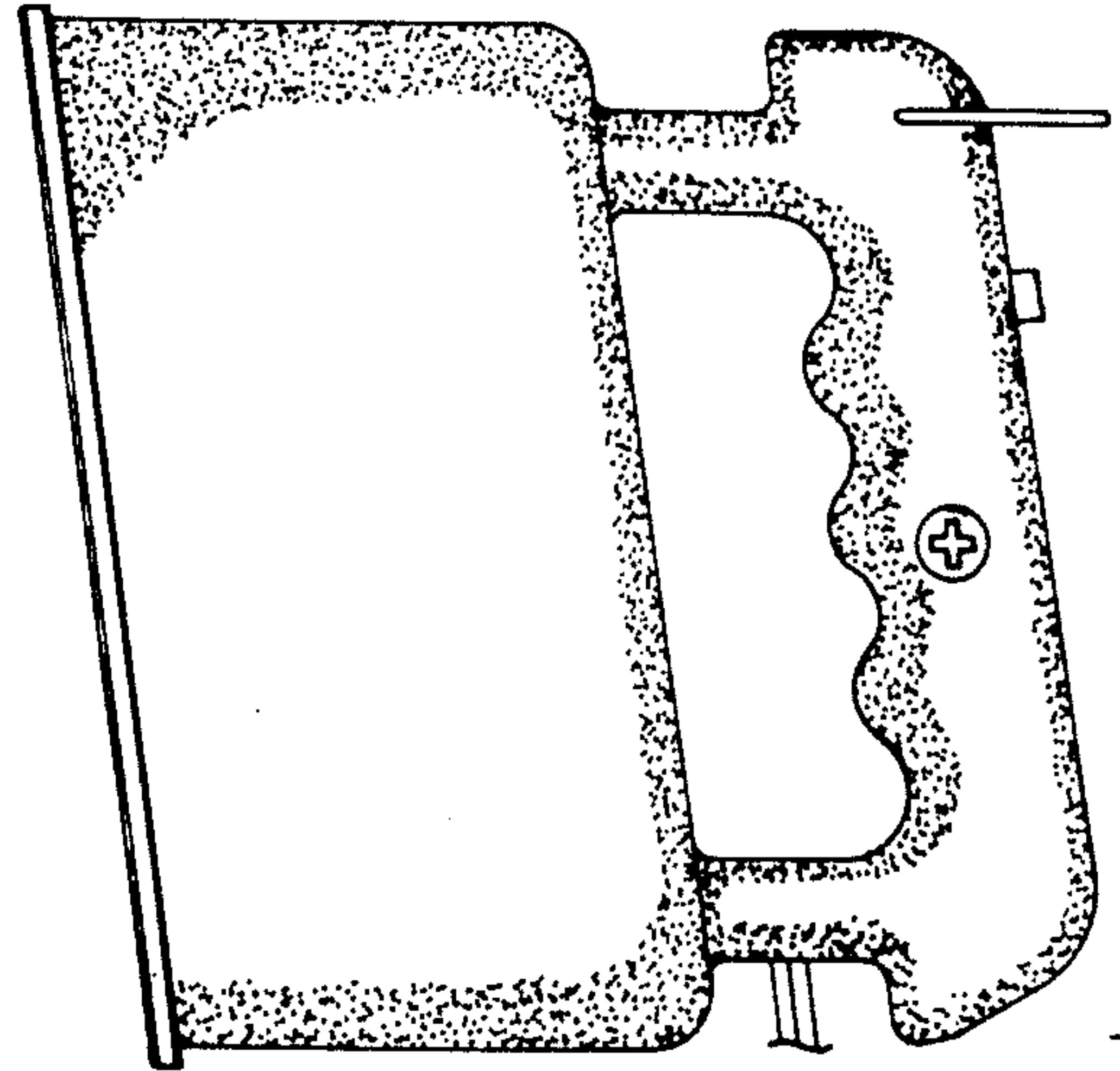


FIG. 3

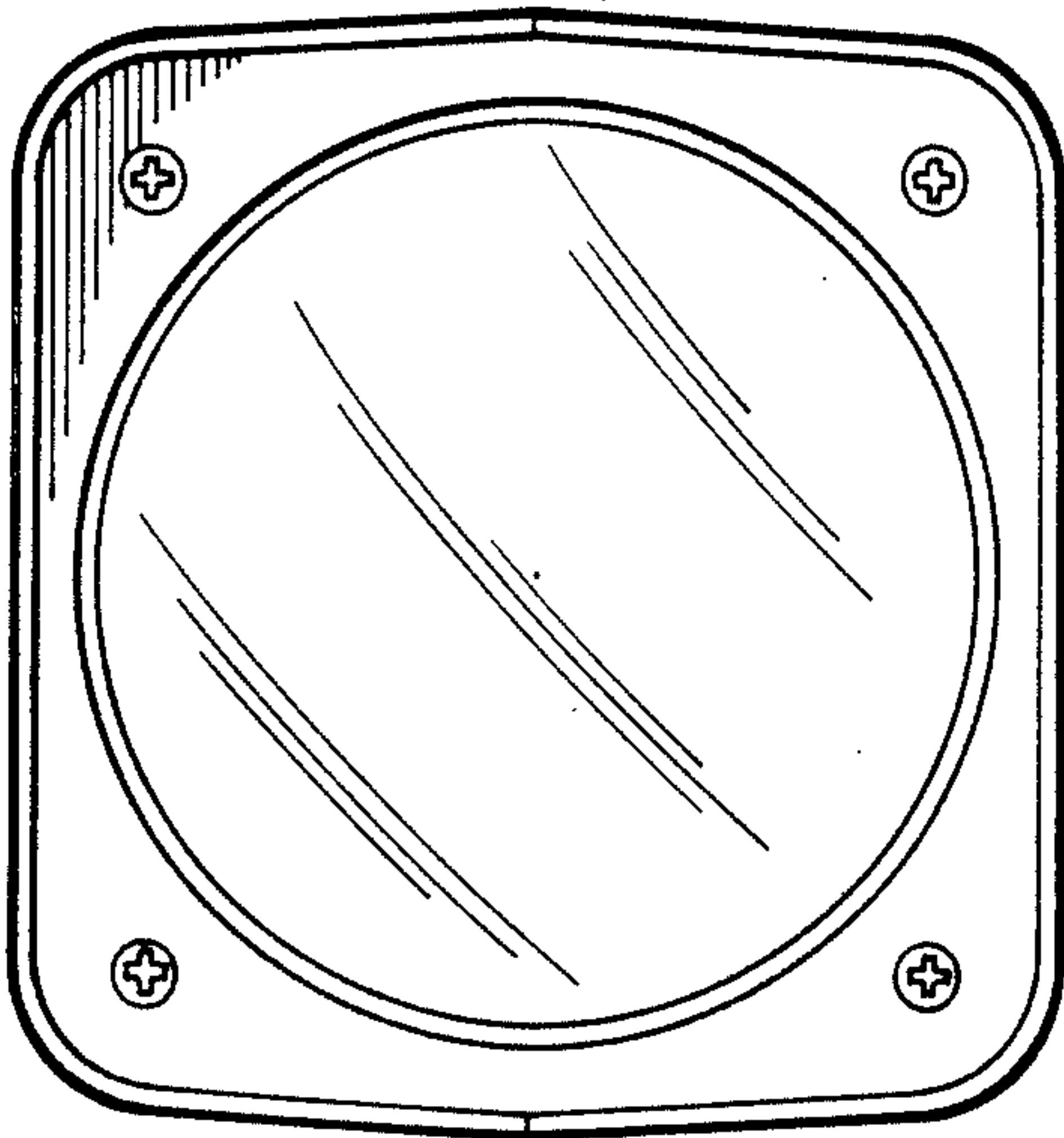


FIG. 4

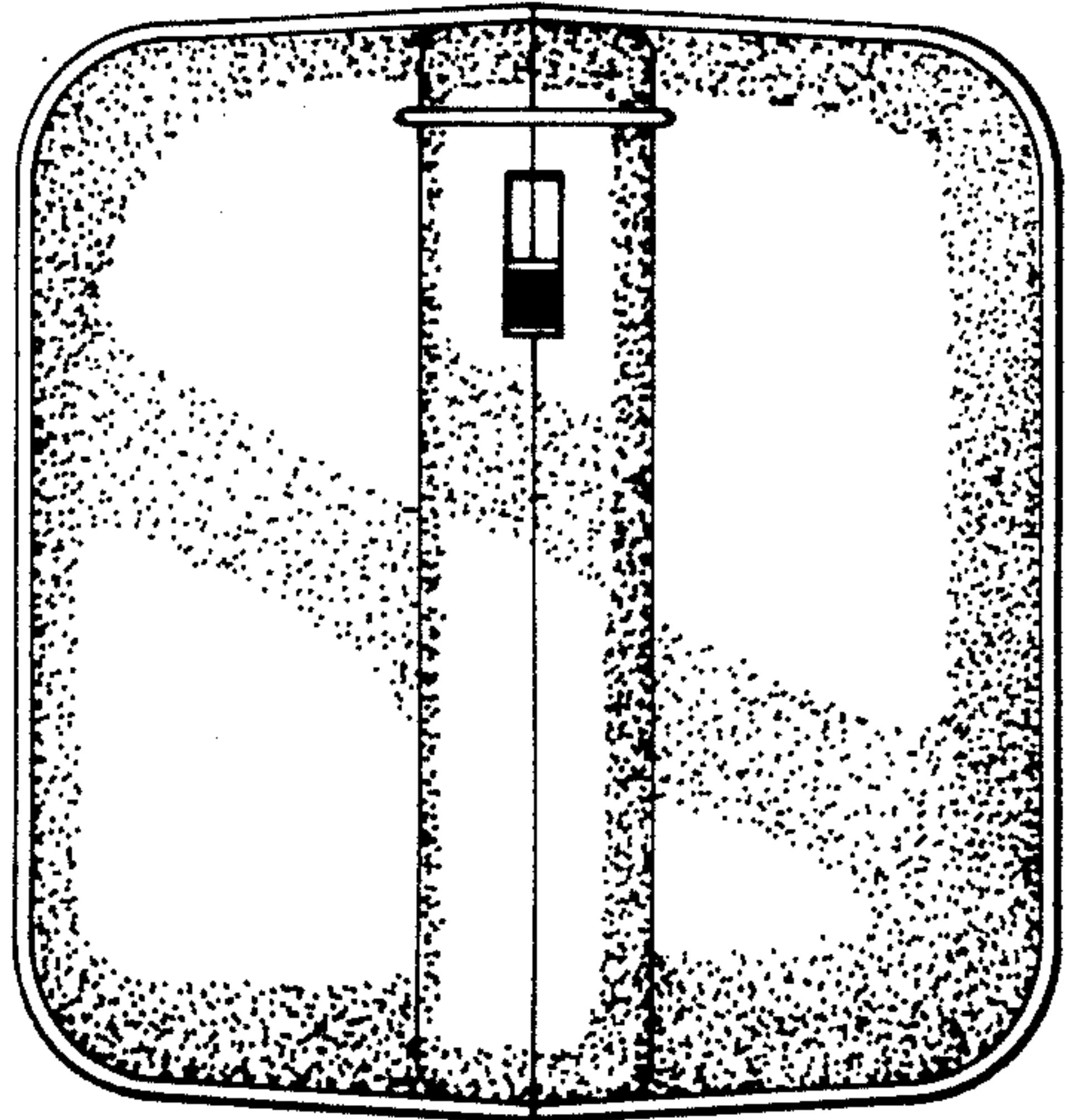


FIG. 5

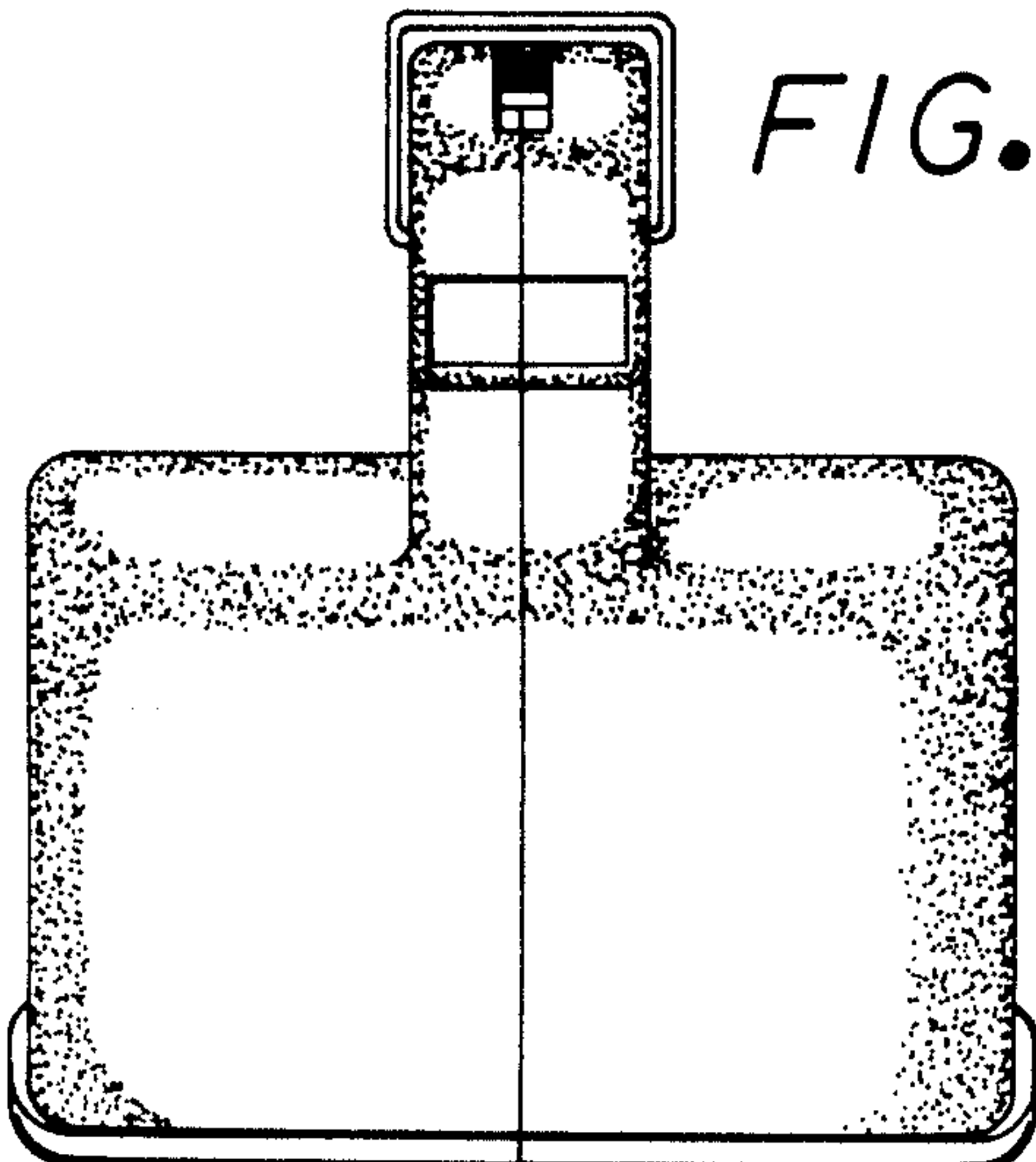


FIG. 6

