

[54] TOY RIDING HORSE

- [75] Inventor: Walter P. Doe, East Aurora, N.Y.
- [73] Assignee: The Quaker Oats Company, Chicago, Ill.
- [\*\*] Term: 14 Years
- [21] Appl. No.: 749,003
- [22] Filed: Dec. 9, 1976
- [51] Int. Cl. .... D21-01
- [52] U.S. Cl. .... D34/15 AE; D34/15 AJ
- [58] Field of Search ..... D34/15 AE, 15 AJ; 272/52, 52.5, 53.1, 53.2; 280/87.01, 87.02

[56] References Cited

U.S. PATENT DOCUMENTS

- 1,223,009 4/1917 Swingle et al. .... D34/15 AJ
- 1,317,952 10/1919 Bennett ..... 280/87.02 R

OTHER PUBLICATIONS

- Montgomery Ward Xmas Book, 1941, p. 82, item E, Pony on Wheels.
- Toys & Novelties, 3-1946, p. 505, Toy Horse at top of page.
- Toys & Novelties, 3-1946, p. 452, #113/86, Roller Horse.

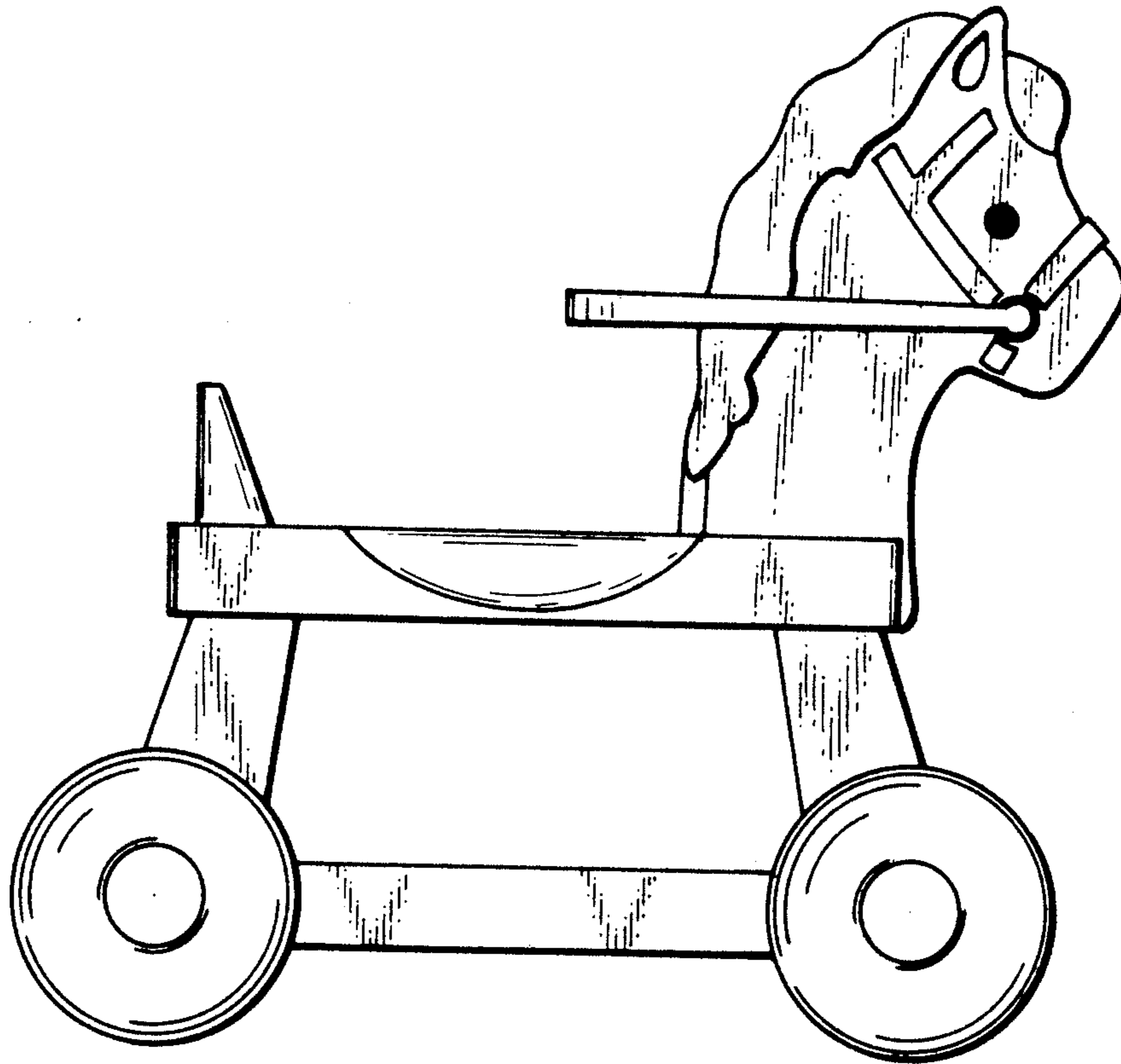
Primary Examiner—Joel Stearman  
 Assistant Examiner—C. A. Rademaker  
 Attorney, Agent, or Firm—George W. Shaw

[57] CLAIM

The ornamental design for a toy riding horse, substantially as shown and described.

DESCRIPTION

FIG. 1 is a right side elevational view of a toy riding horse showing my new design, the side opposite being a mirror image;  
 FIG. 2 is a top plan view thereof;  
 FIG. 3 is a front elevational view thereof;  
 FIG. 4 is a bottom plan view thereof; and  
 FIG. 5 is a rear elevational view thereof.



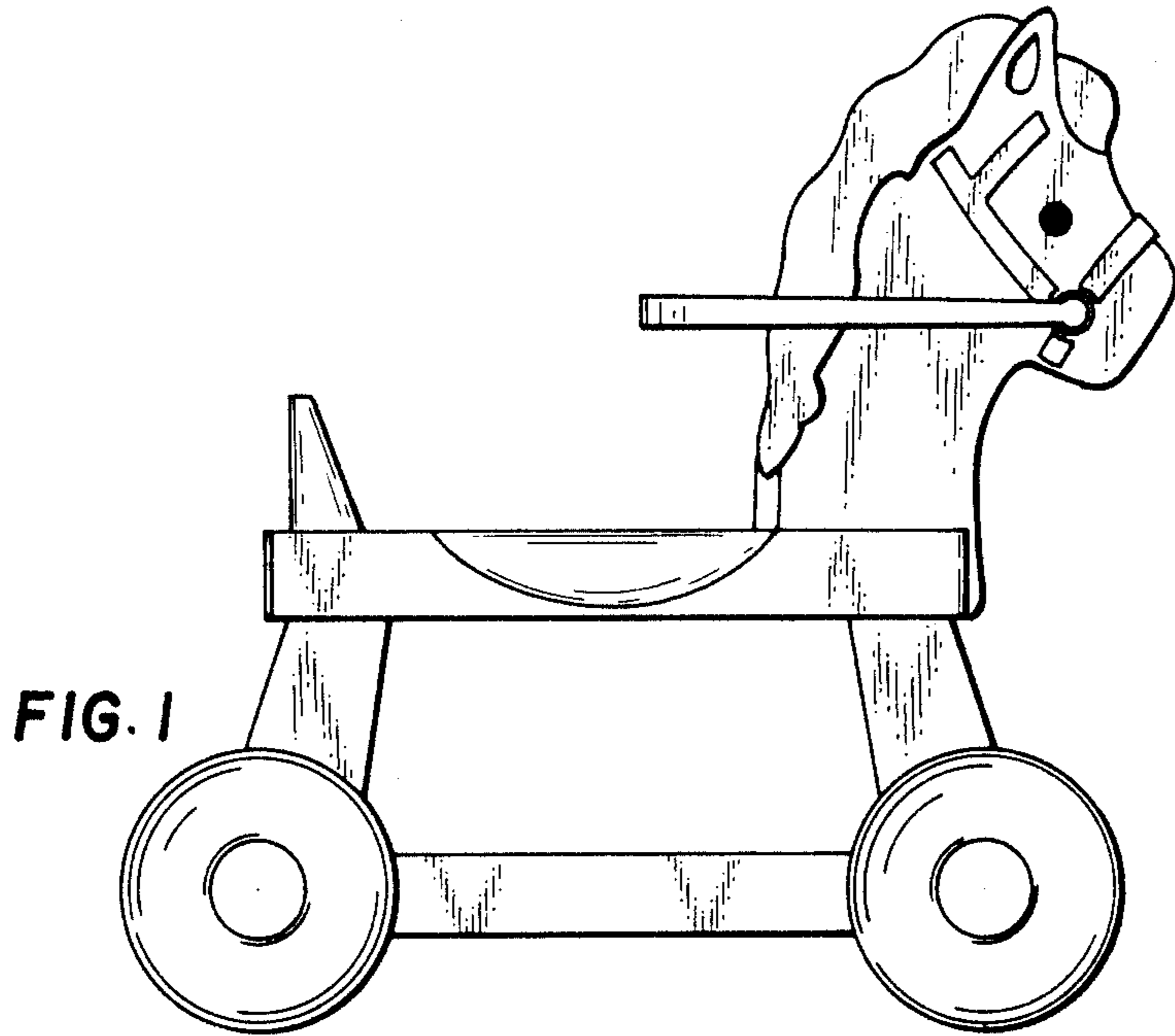


FIG. 1

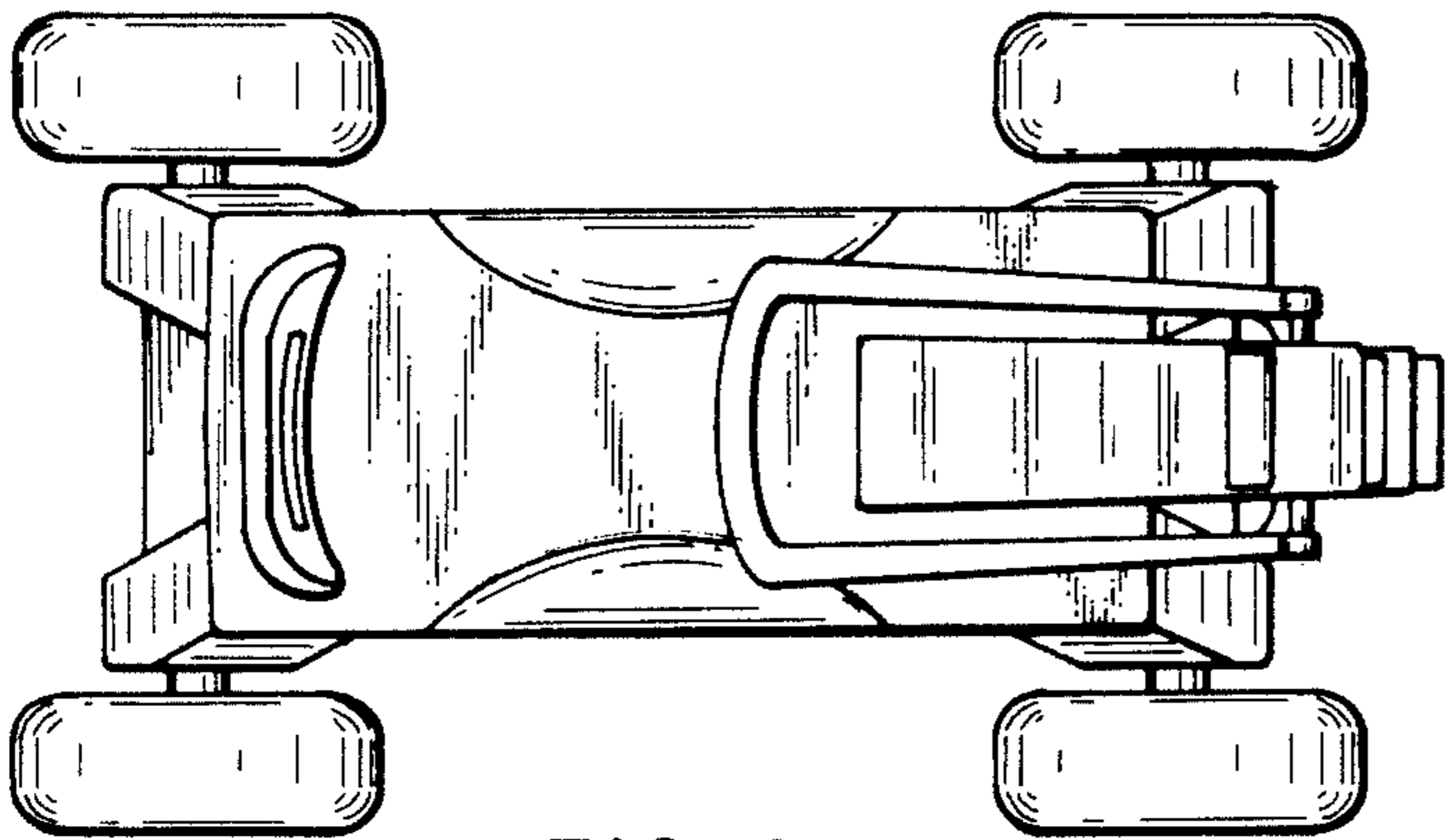


FIG. 2

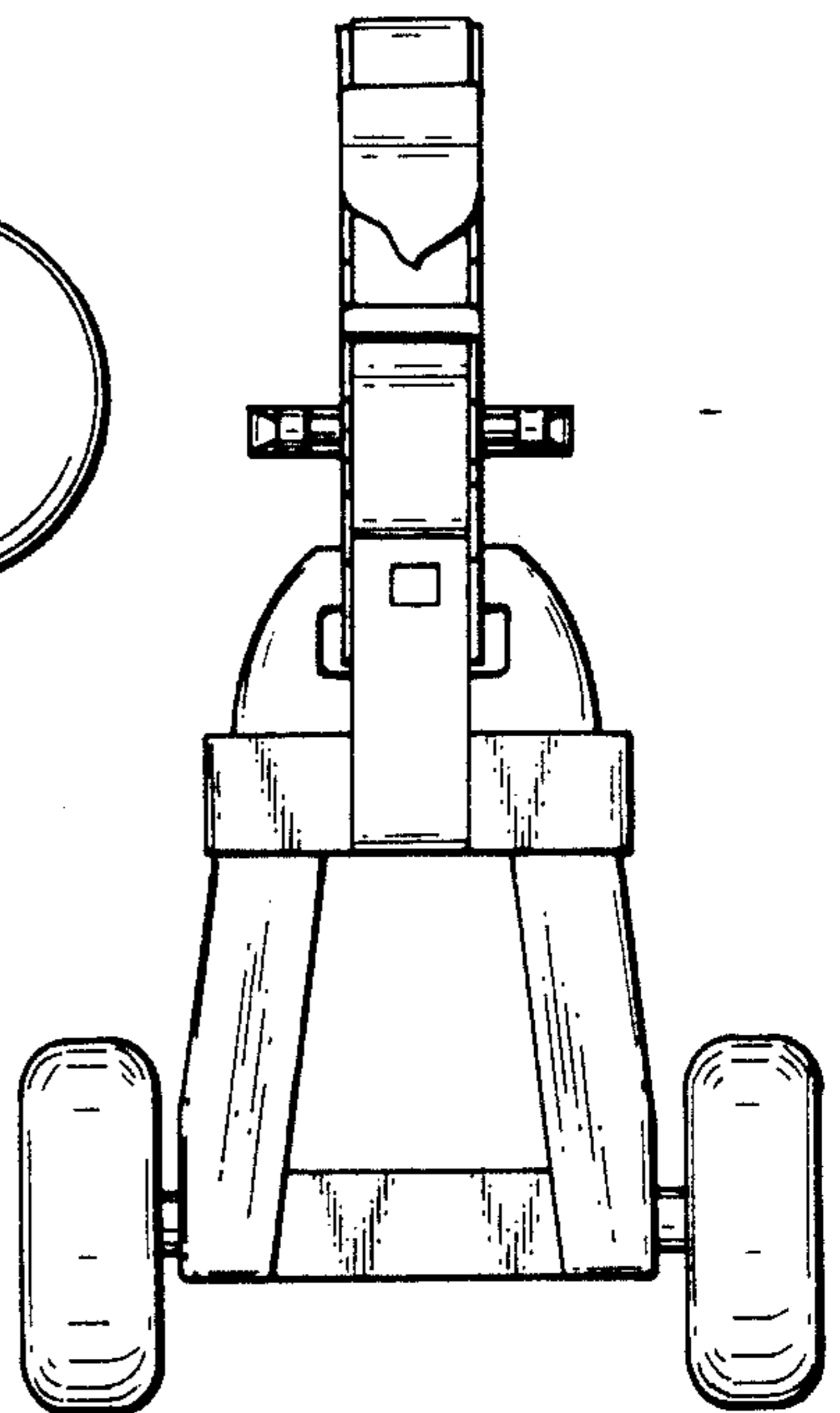


FIG. 3

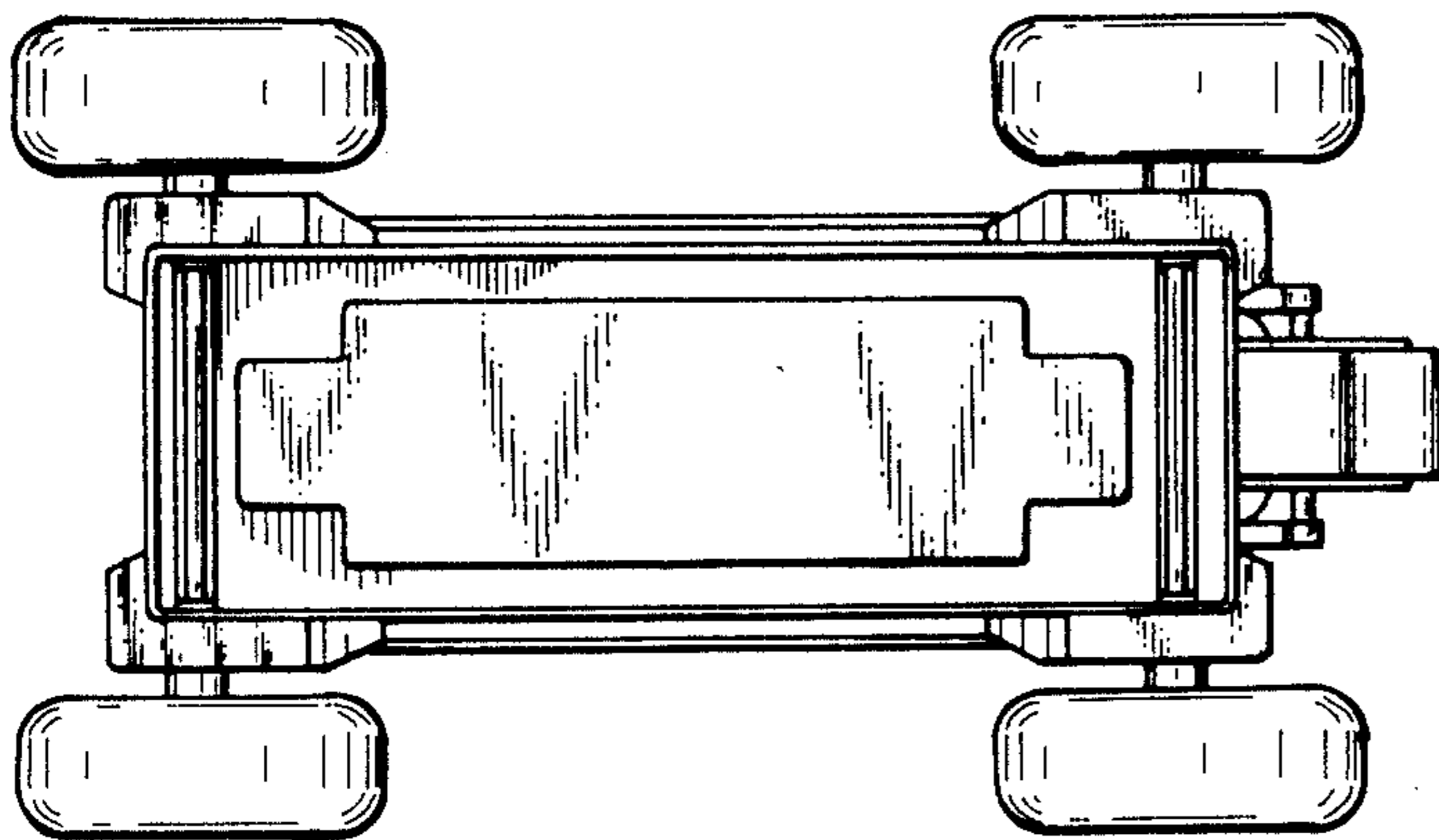


FIG. 4

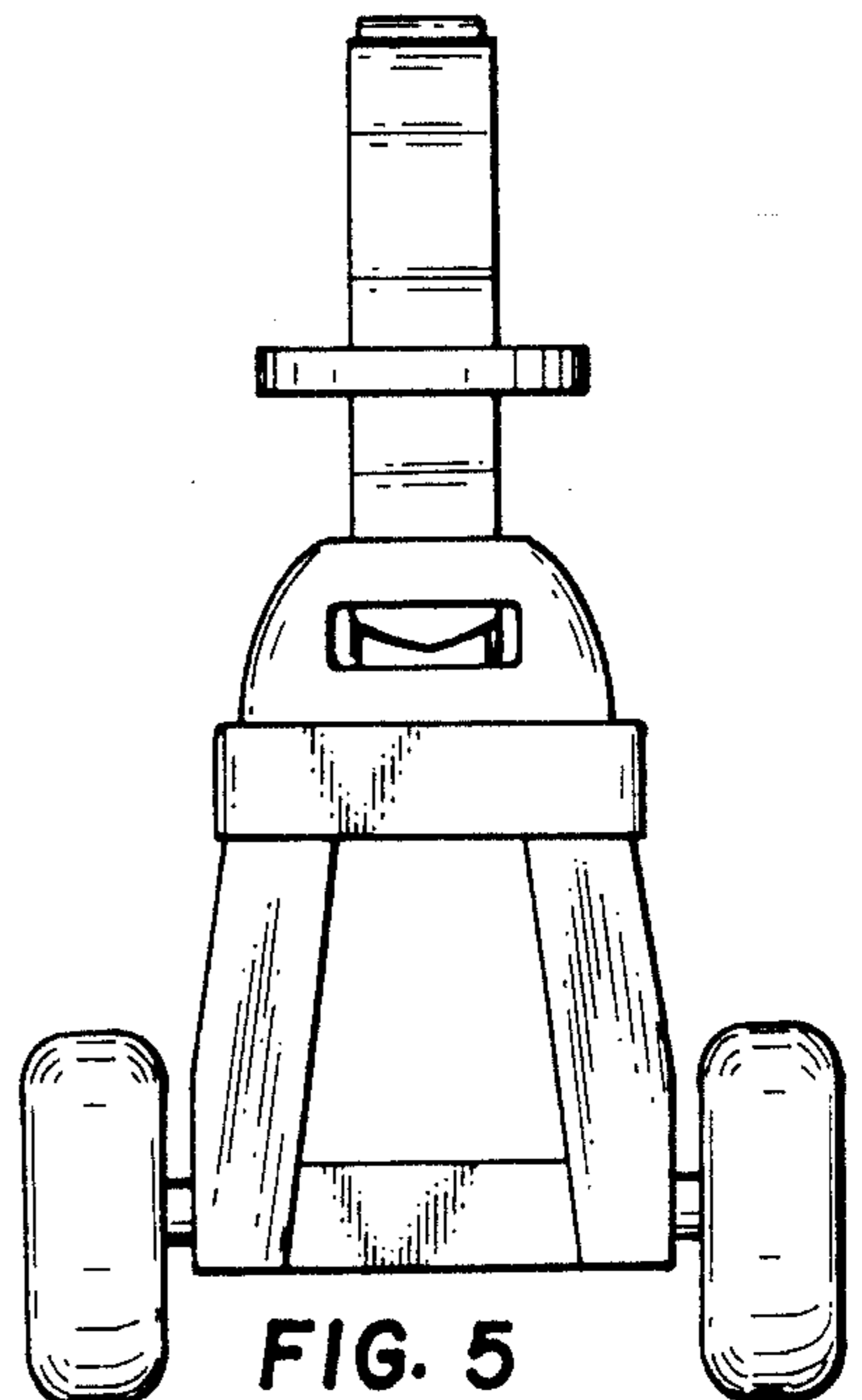


FIG. 5