

[54] **POULTRY DRINKING UNIT**
 [75] Inventor: **Ronald I. Mallinson**, Triangle, near
 Halifax, England
 [73] Assignee: **Mono-Flo Nipple Drinkers Limited**,
 Halifax, England
 [**] Term: **14 Years**
 [21] Appl. No.: **780,196**
 [22] Filed: **Mar. 22, 1977**

2,541,369 2/1951 Kofford 119/75 X
 2,848,013 8/1958 Kofford D30/13 X
 3,483,847 12/1969 Kneubuehl 119/75
 3,563,207 2/1971 Kofford 119/75

Primary Examiner—James R. Largen
Attorney, Agent, or Firm—Fred C. Philpitt

[51] Int. Cl. **D30—03**
 [52] U.S. Cl. **D30/13**
 [58] Field of Search **D30/13-99;**
 119/71, 72.5, 75

[57] **CLAIM**
 The ornamental design for a poultry drinking unit, as shown.

[56] **References Cited**
U.S. PATENT DOCUMENTS
 D. 234,145 1/1975 Pepler et al. D30/16

DESCRIPTION
 FIG. 1 is a perspective view taken from the top, front and one side of a poultry drinking unit showing my new design;
 FIG. 2 is an elevational view taken from the side opposite that shown in FIG. 1;
 FIG. 3 is a top plan view thereof;
 FIG. 4 is a rear elevational view thereof; and
 FIG. 5 is a bottom plan view thereof.

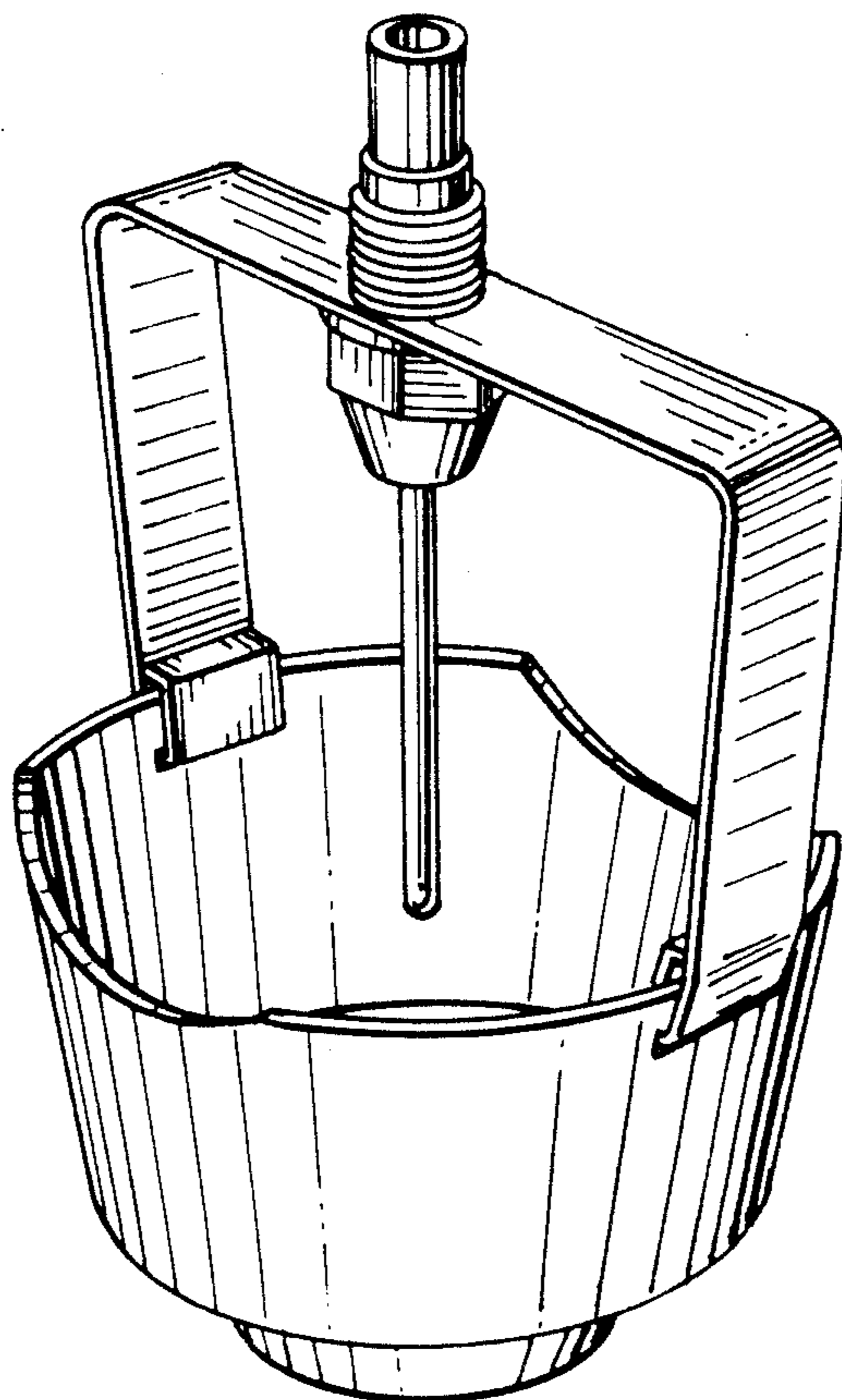


FIG. 1

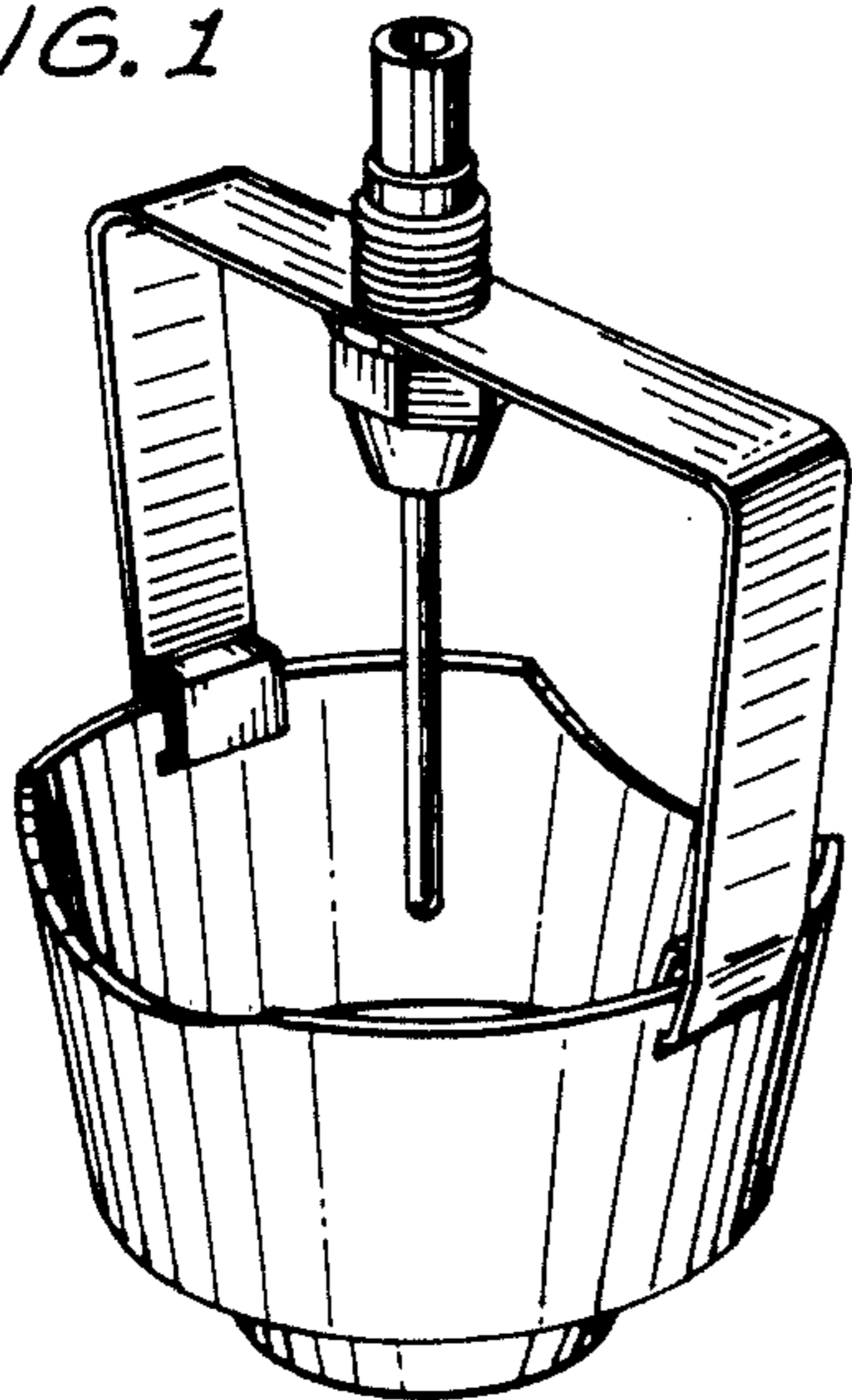


FIG. 3

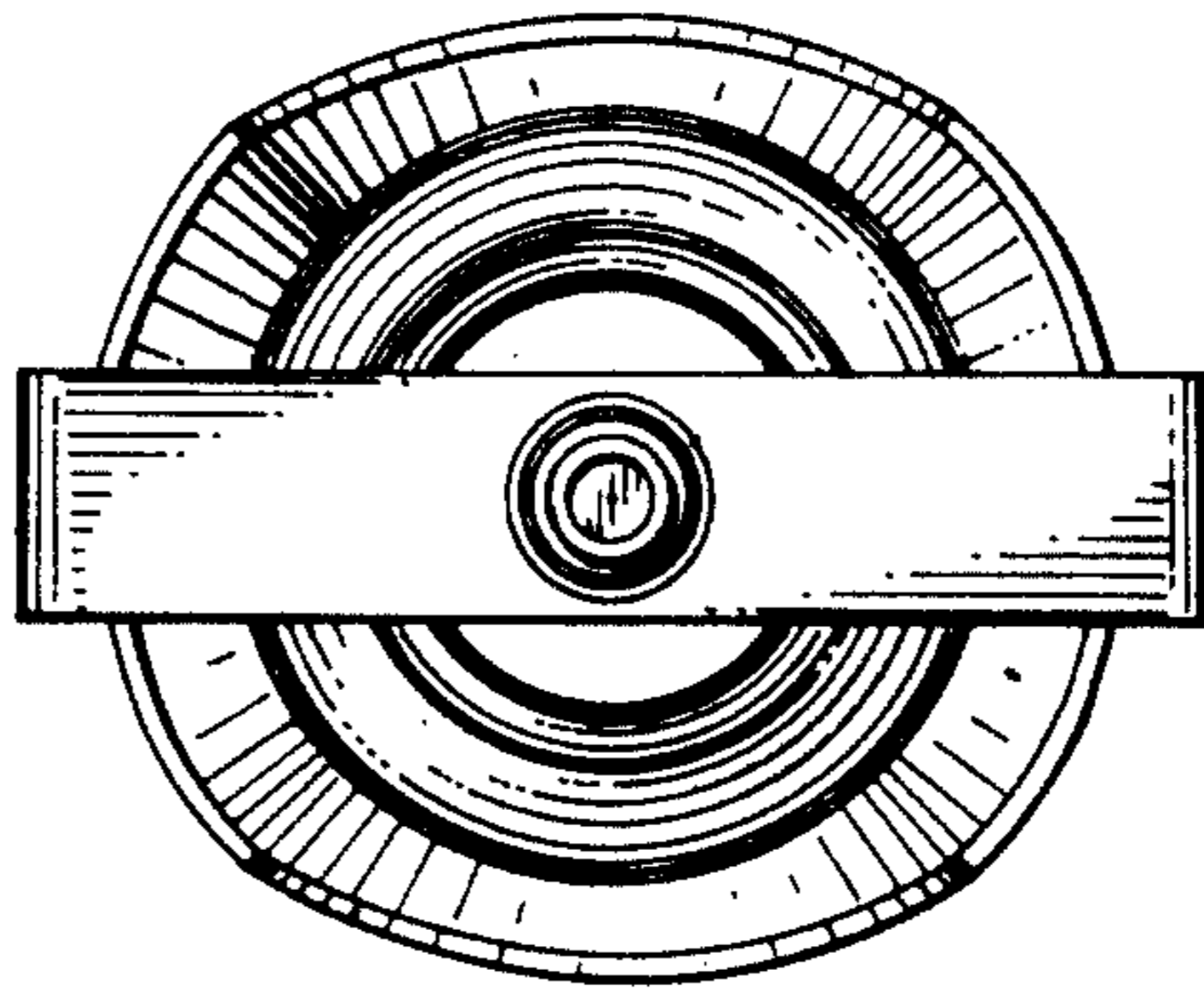


FIG. 4

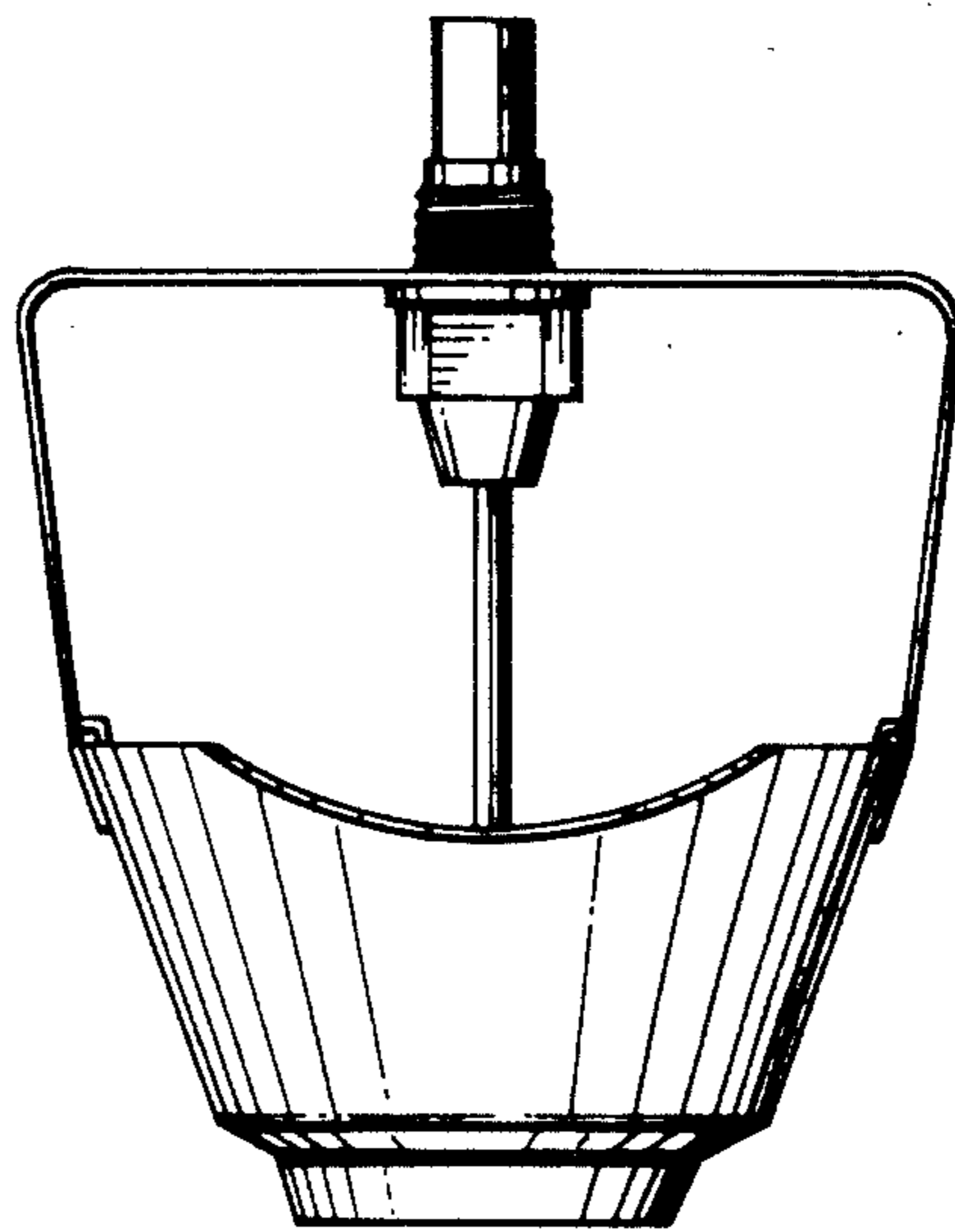


FIG. 2

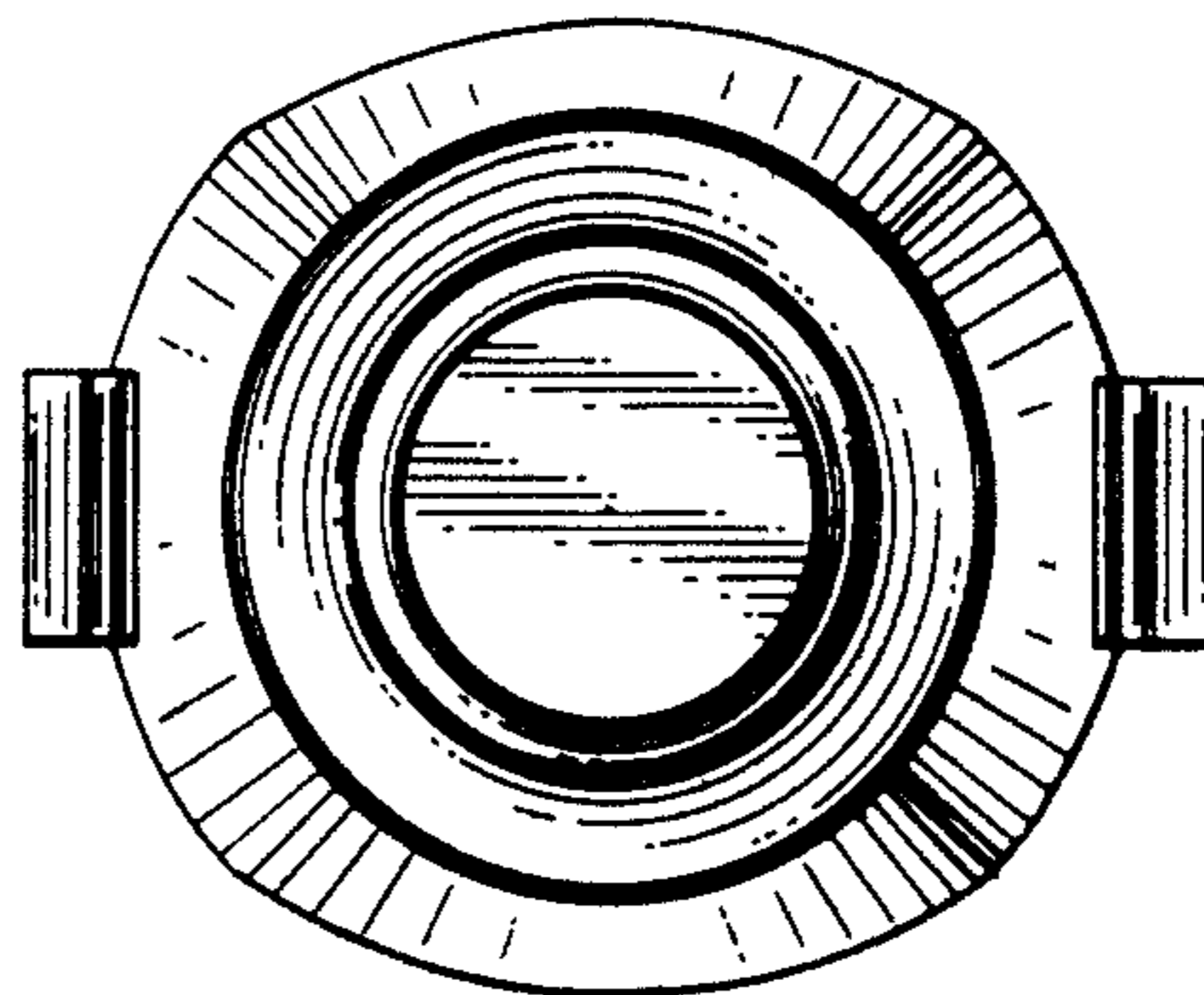
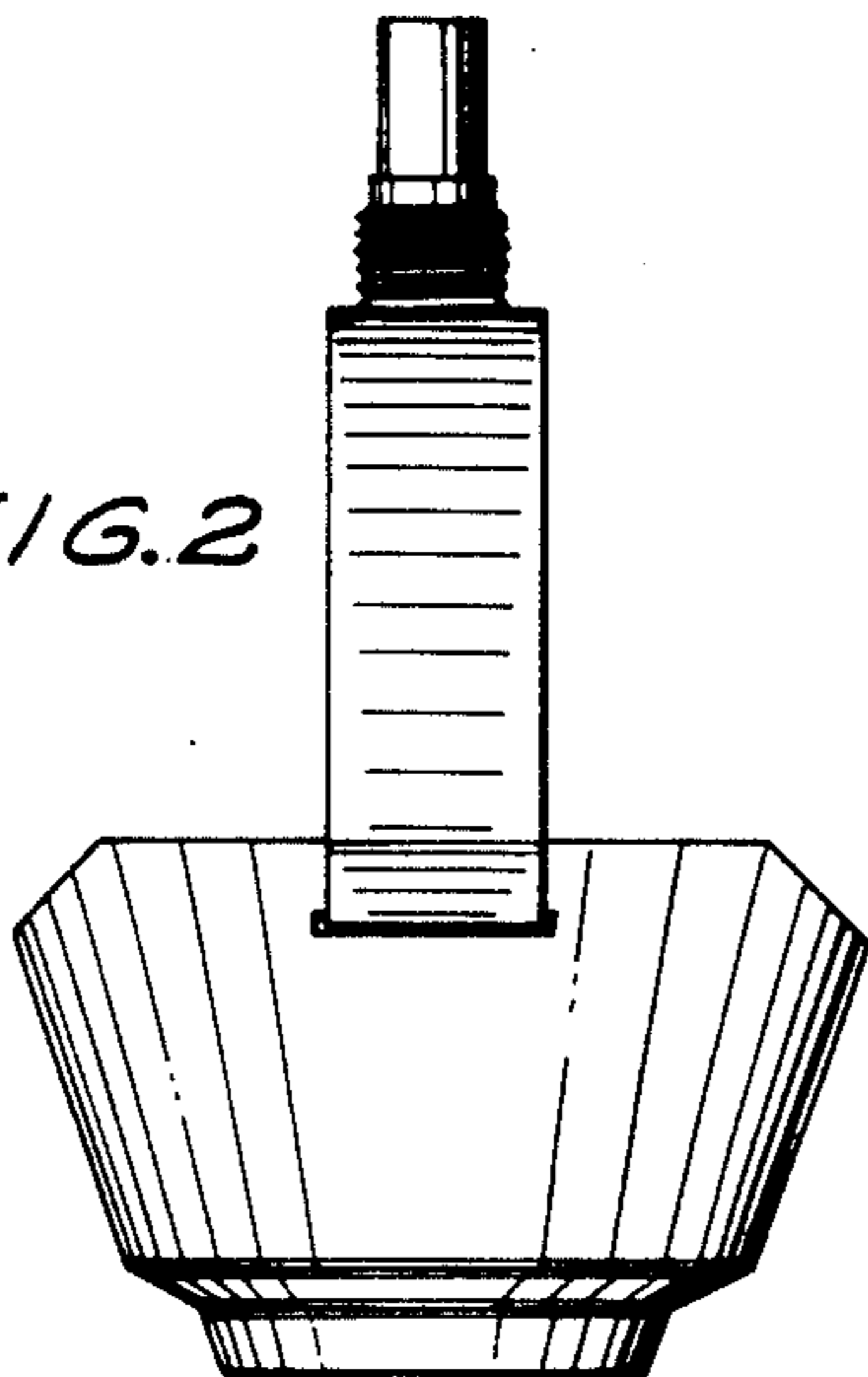


FIG. 5