

[54] COVER FOR THE BED OF A PICKUP TRUCK

3,954,296 5/1976 Patnode ..... 296/10

[76] Inventors: Robert J. Windecker; Theodore R. Windecker, both of P.O. Box 6187 A.T.S., Midland, Tex. 79701

Primary Examiner—Wallace R. Burke  
Assistant Examiner—James M. Gandy  
Attorney, Agent, or Firm—Charles W. Coffee

[\*\*] Term: 14 Years

[57] CLAIM

[21] Appl. No.: 783,970

The ornamental design for a cover for the bed of a pickup truck, as shown.

[22] Filed: Apr. 4, 1977

DESCRIPTION

[51] Int. Cl. .... D12-16

[52] U.S. Cl. .... D12/156

[58] Field of Search ..... D12/156; 296/10, 23 MC, 296/24 R, 102

FIG. 1 is a side perspective view of a cover for the bed of a pickup truck with the rear deck in partially open condition showing our new design, it being understood that the broken lines are for illustrative purposes only; FIG. 2 is an enlarged side perspective view thereof in closed condition;

FIG. 3 is a rear perspective view of FIG. 2;

FIG. 4 is a front perspective view of FIG. 2;

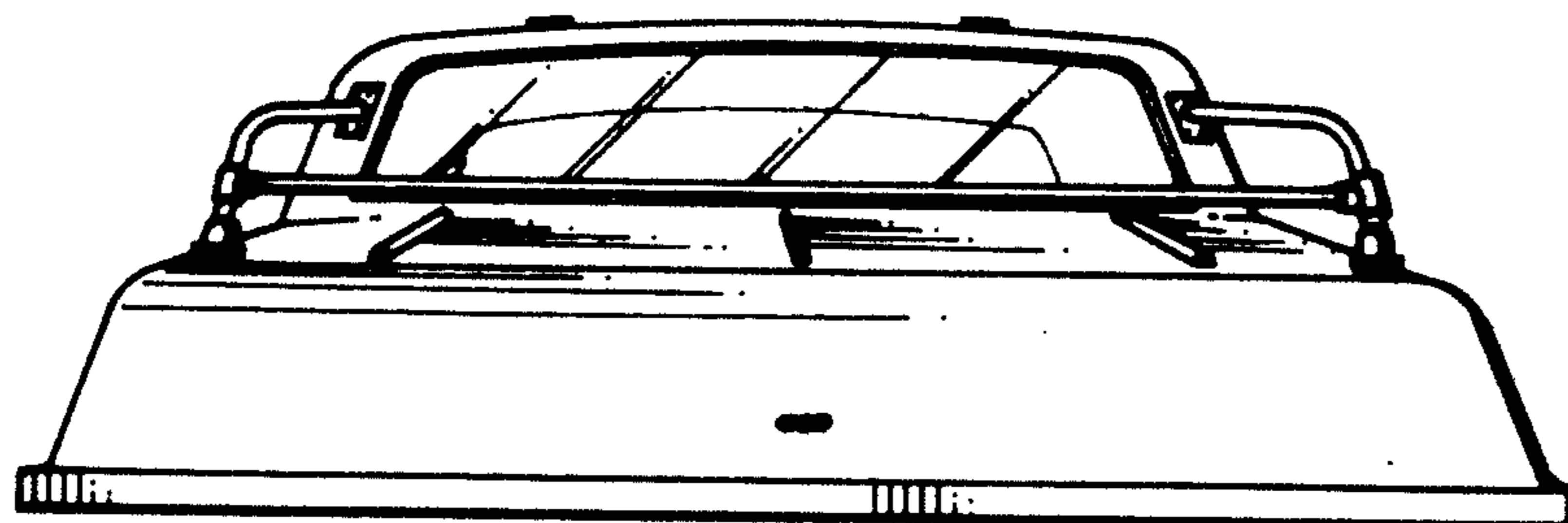
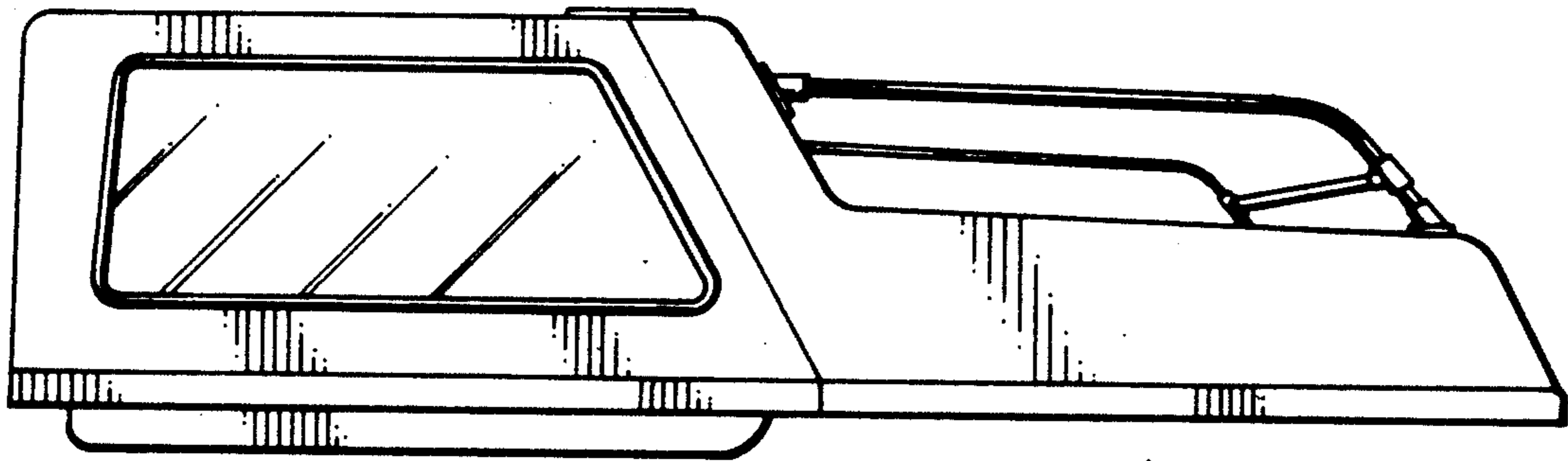
FIG. 5 is a top plan view of FIG. 2; and

FIG. 6 is a bottom plan view of FIG. 2.

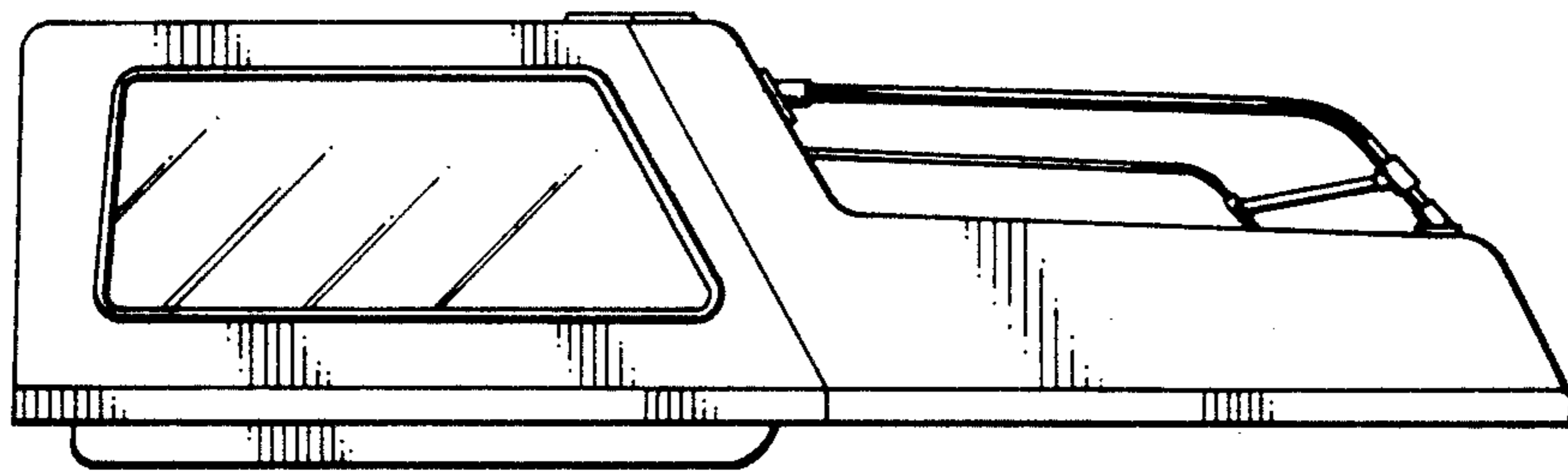
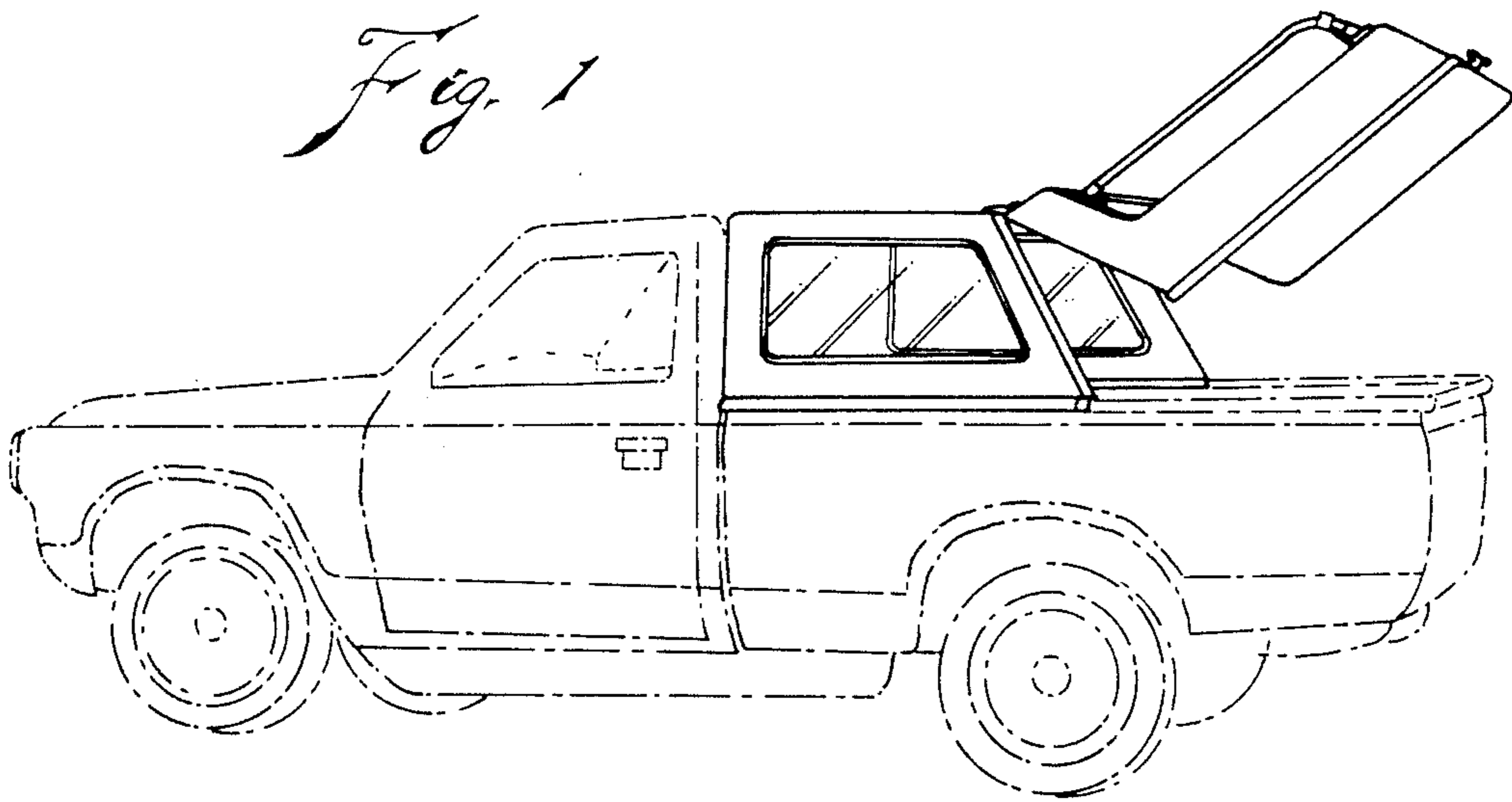
[56] References Cited

U.S. PATENT DOCUMENTS

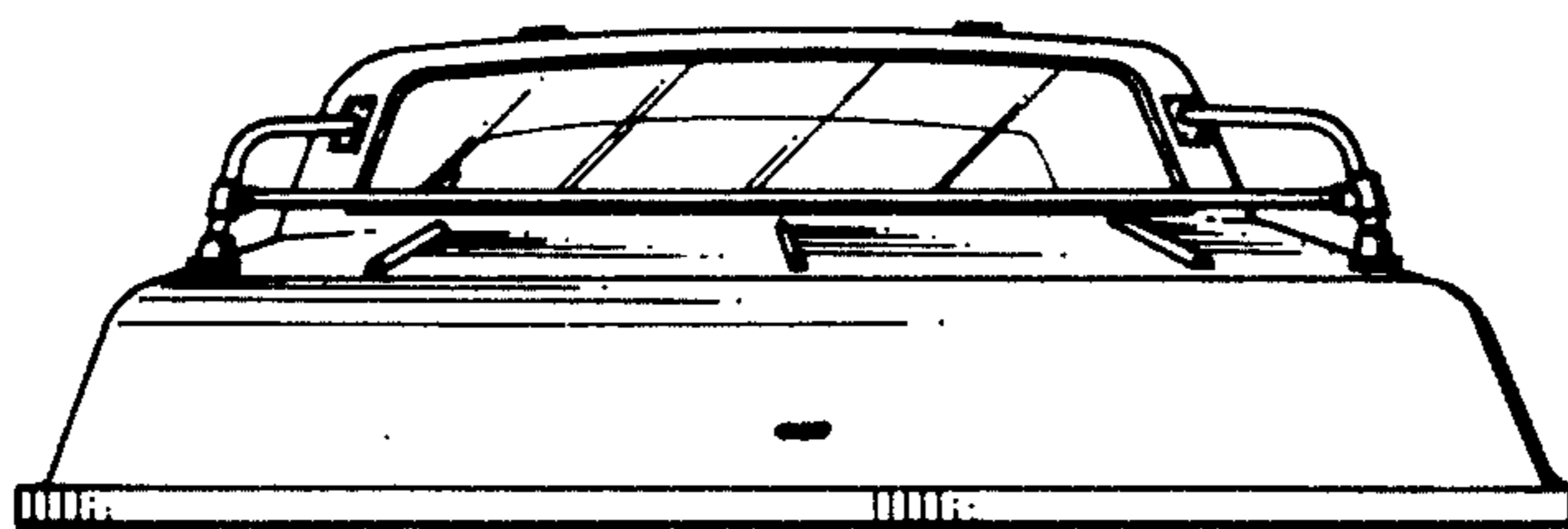
D. 213,189	1/1969	Ritter et al. ....	D12/156
D. 235,327	6/1975	Morris .....	D12/156
D. 241,530	9/1976	Hayes .....	D12/156



*Fig. 1*

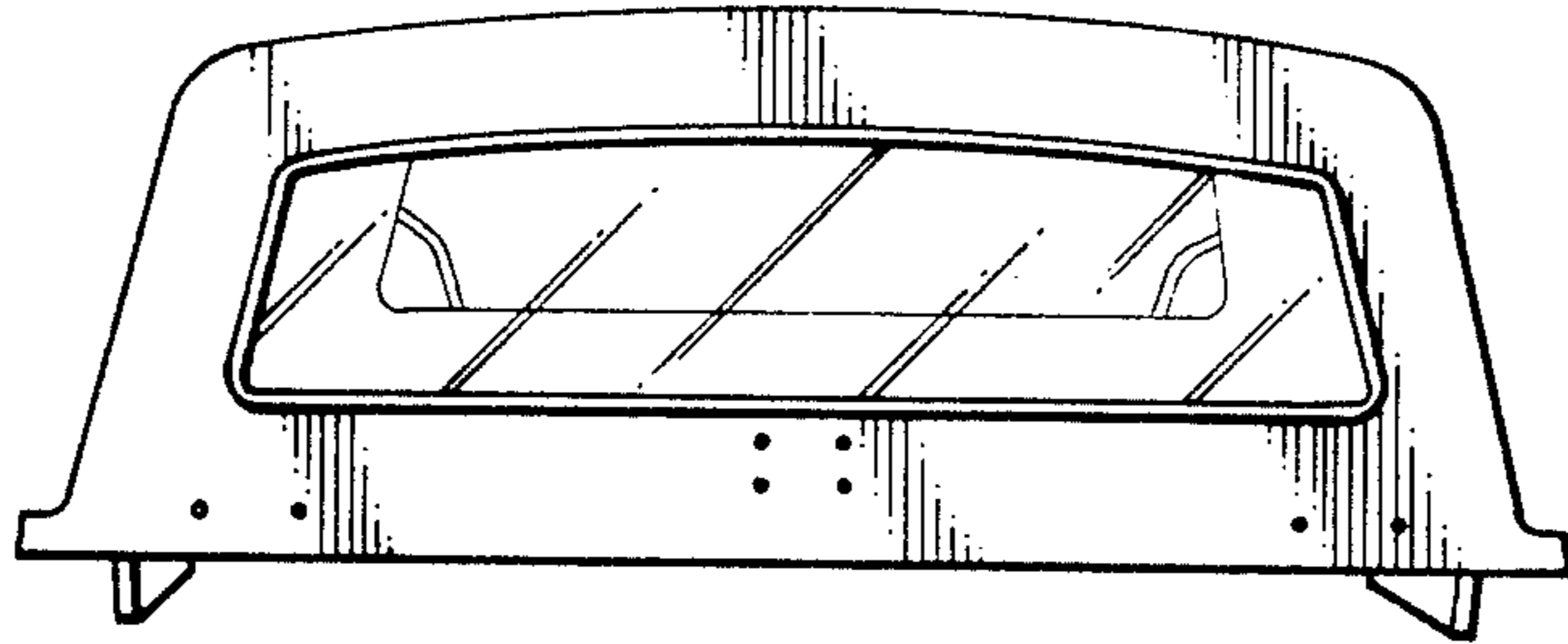


*Fig. 2*

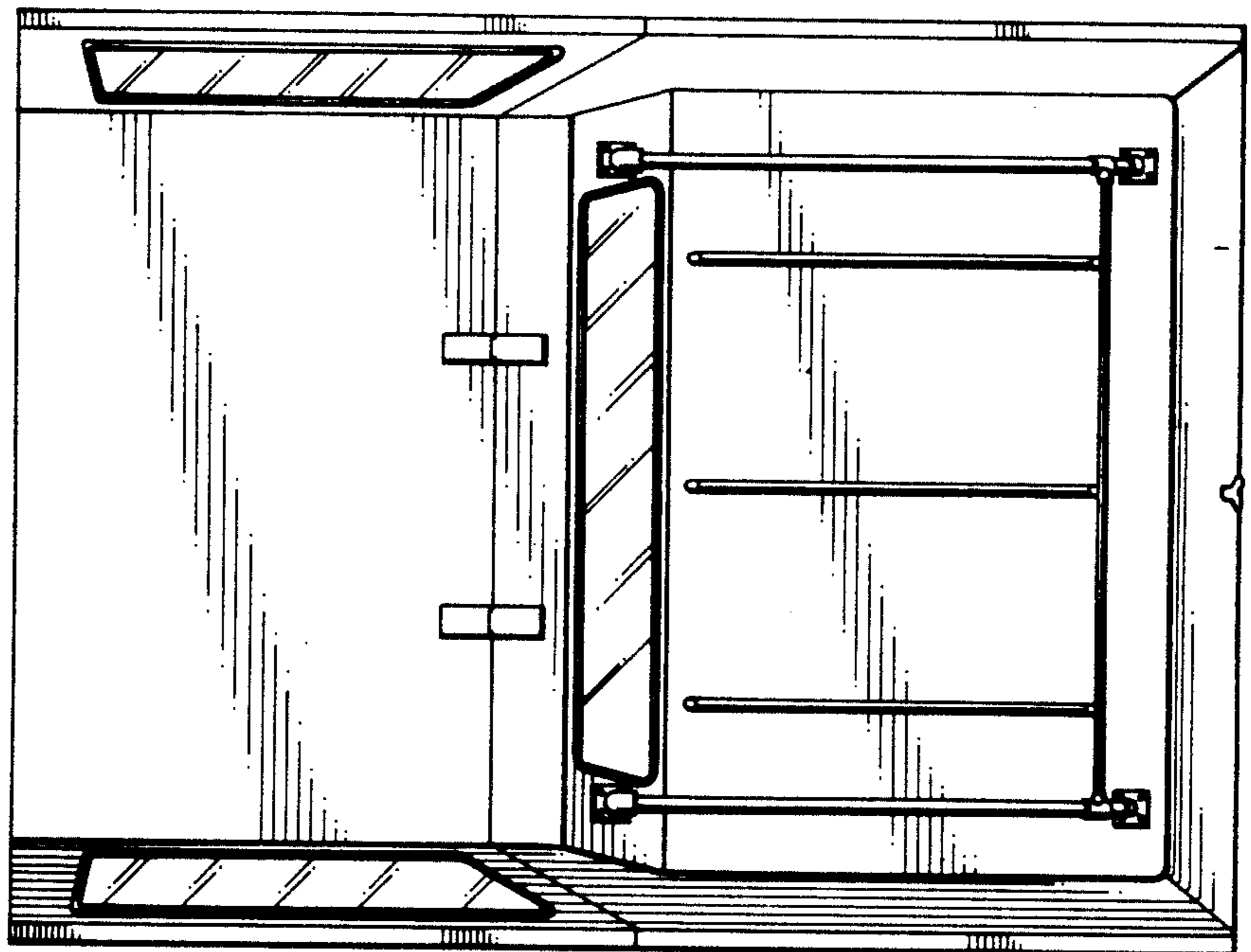


*Fig. 3*

*Fig. 4*



*Fig. 5*



*Fig. 6*

