

[54] RETROPRISM HOLDER AND SIGHTING MECHANISM

[76] Inventor: Thomas N. Haidek, 11709 Century Dr., Oklahoma City, Okla. 73160

[\*\*] Term: 14 Years

[21] Appl. No.: 866,245

[22] Filed: Jan. 3, 1978

[51] Int. Cl. ....D10-04; D16/06

[52] U.S. Cl. ....D10/103; D10/66

[58] Field of Search ..... D10/103, 66, 62; 356/4, 356/5, 106 R; 33/292; D16/59

[56] References Cited

U.S. PATENT DOCUMENTS

D. 228,525	10/1973	Buckley .....	D10/103
D. 235,375	6/1975	Kooi et al. ....	D10/66
D. 235,525	6/1975	Kooi et al. ....	D10/62

OTHER PUBLICATIONS

Lietz Surveying Instruments & Equipment Catalog 95, ©1977, p. 47, Stock No. 7270-31, Retro Prism Mount.

Primary Examiner—Bernard Ansher  
Attorney, Agent, or Firm—Bill D. McCarthy

[57] CLAIM

The ornamental design for a retroprism holder and sighting mechanism, as shown and described.

DESCRIPTION

FIG. 1 is an elevational view of one side of the retroprism holder and sighting mechanism showing my new design;

FIG. 2 is an elevational view of the rear of the mechanism shown in FIG. 1;

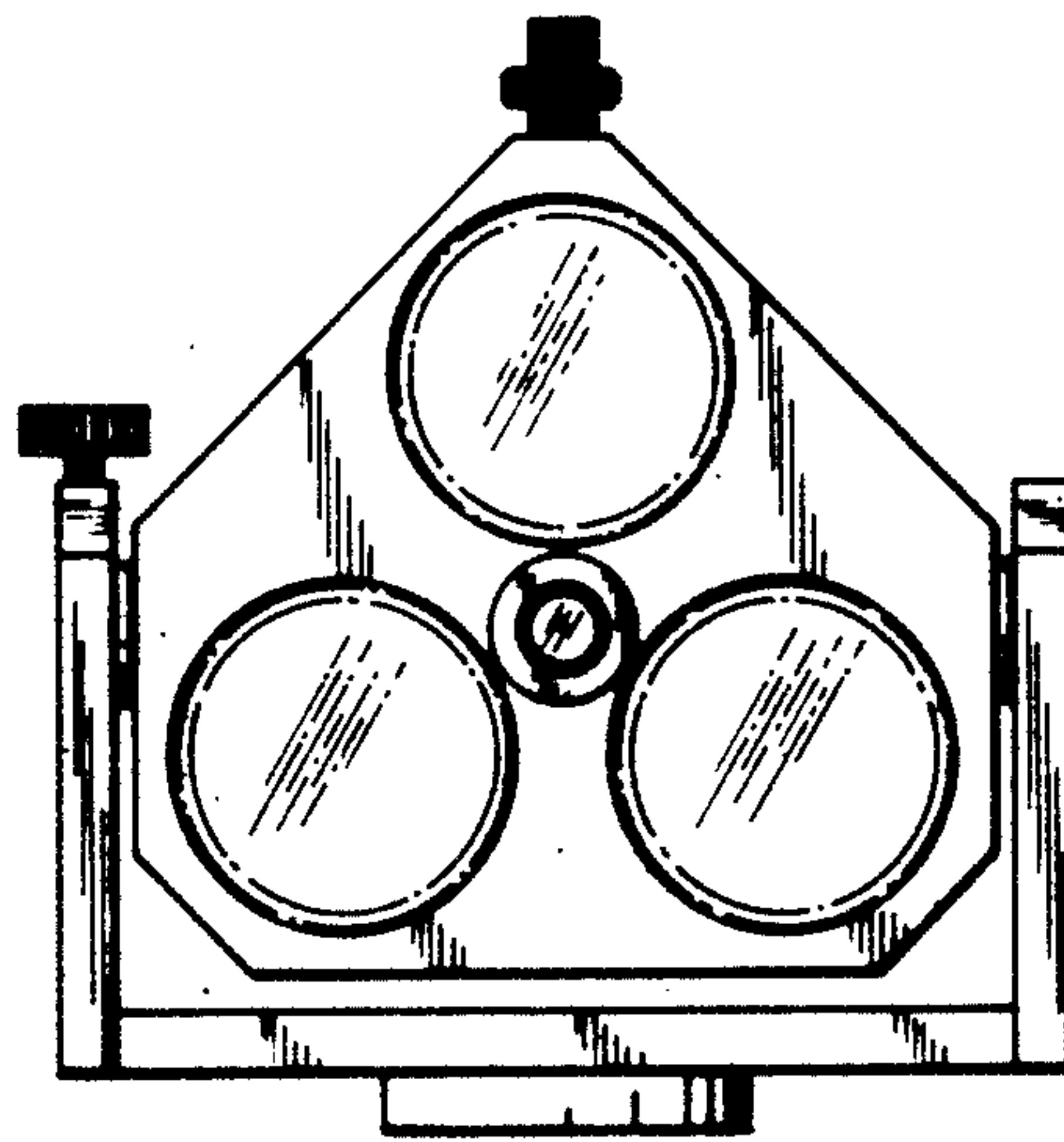
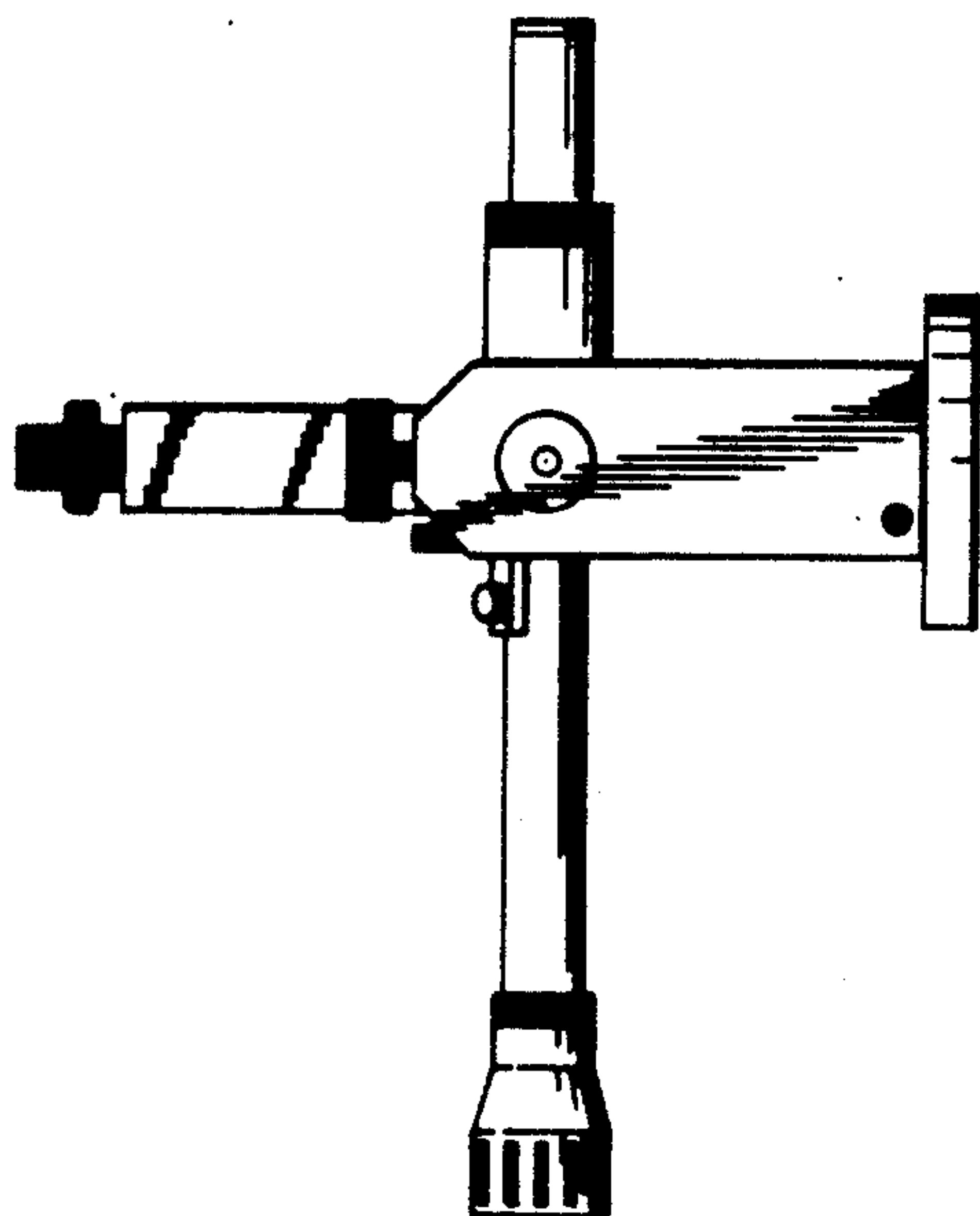
FIG. 3 is a top plan view of the mechanism shown in FIG. 1;

FIG. 4 is an elevational view of the other side of the mechanism shown in FIG. 1;

FIG. 5 is an elevational view of the front of the mechanism shown in FIG. 1; and

FIG. 6 is a bottom plan view of the mechanism shown in FIG. 1.

The broken lines are shown for illustrative purposes only.



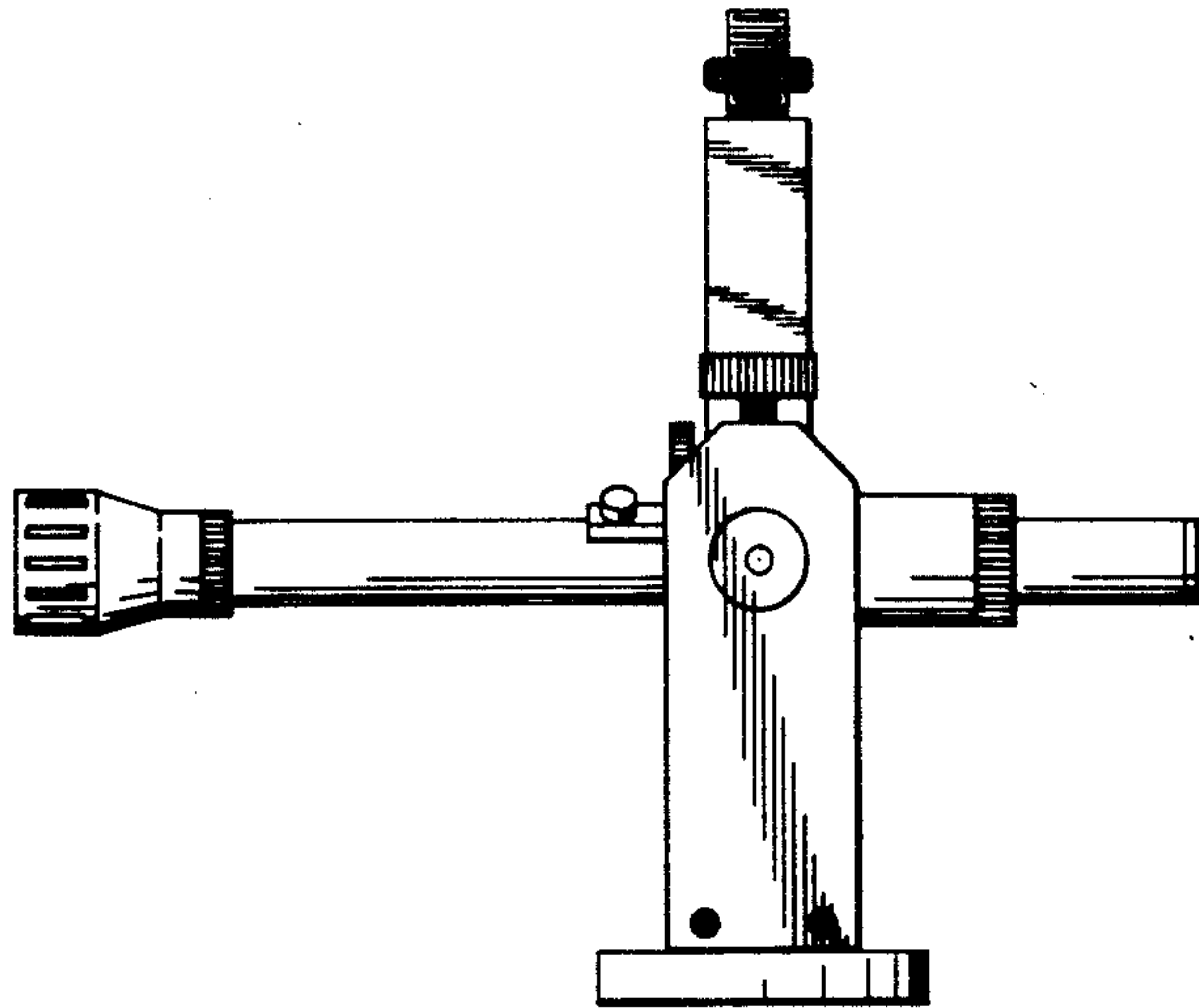


FIG. 1

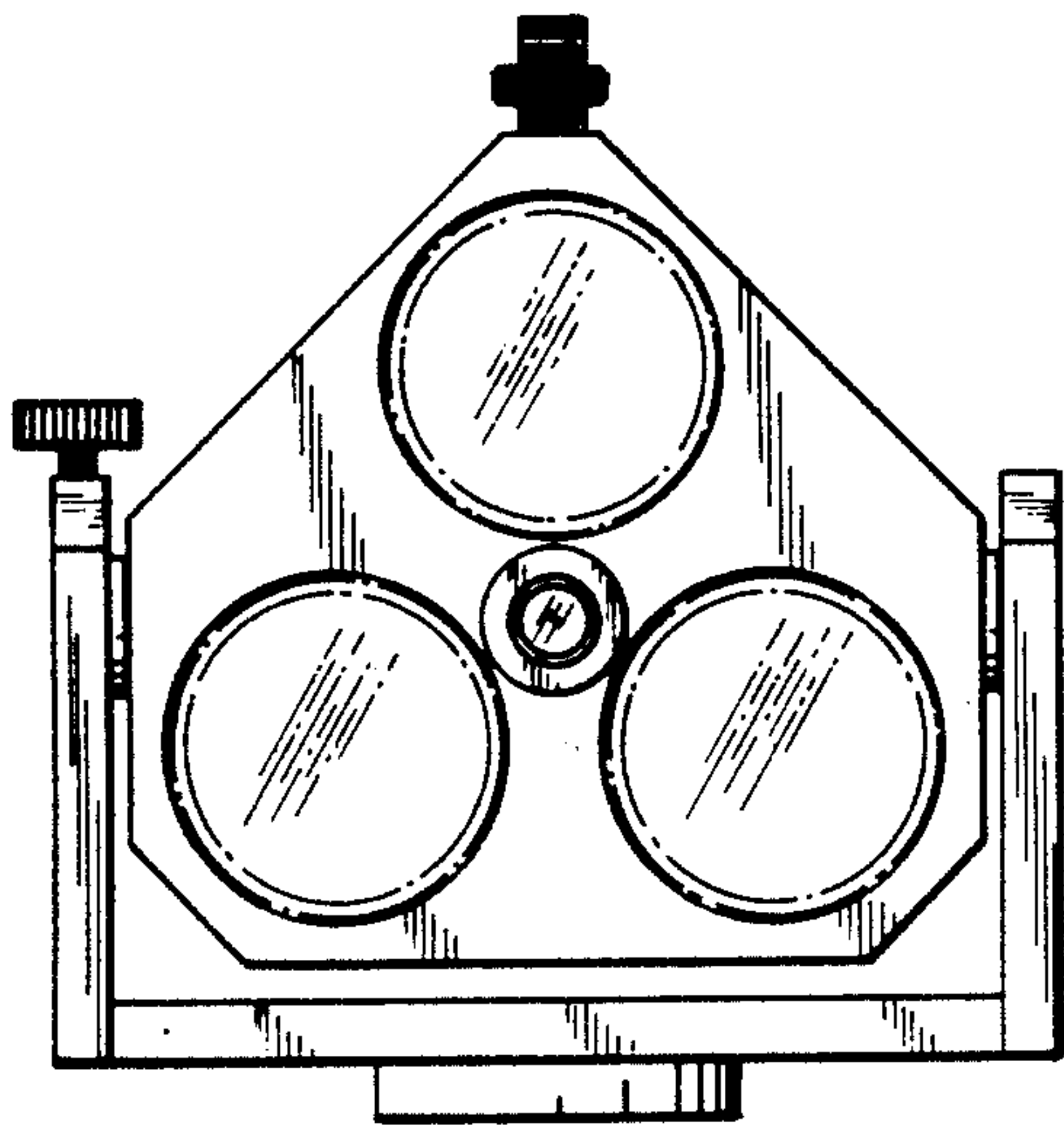


FIG. 2

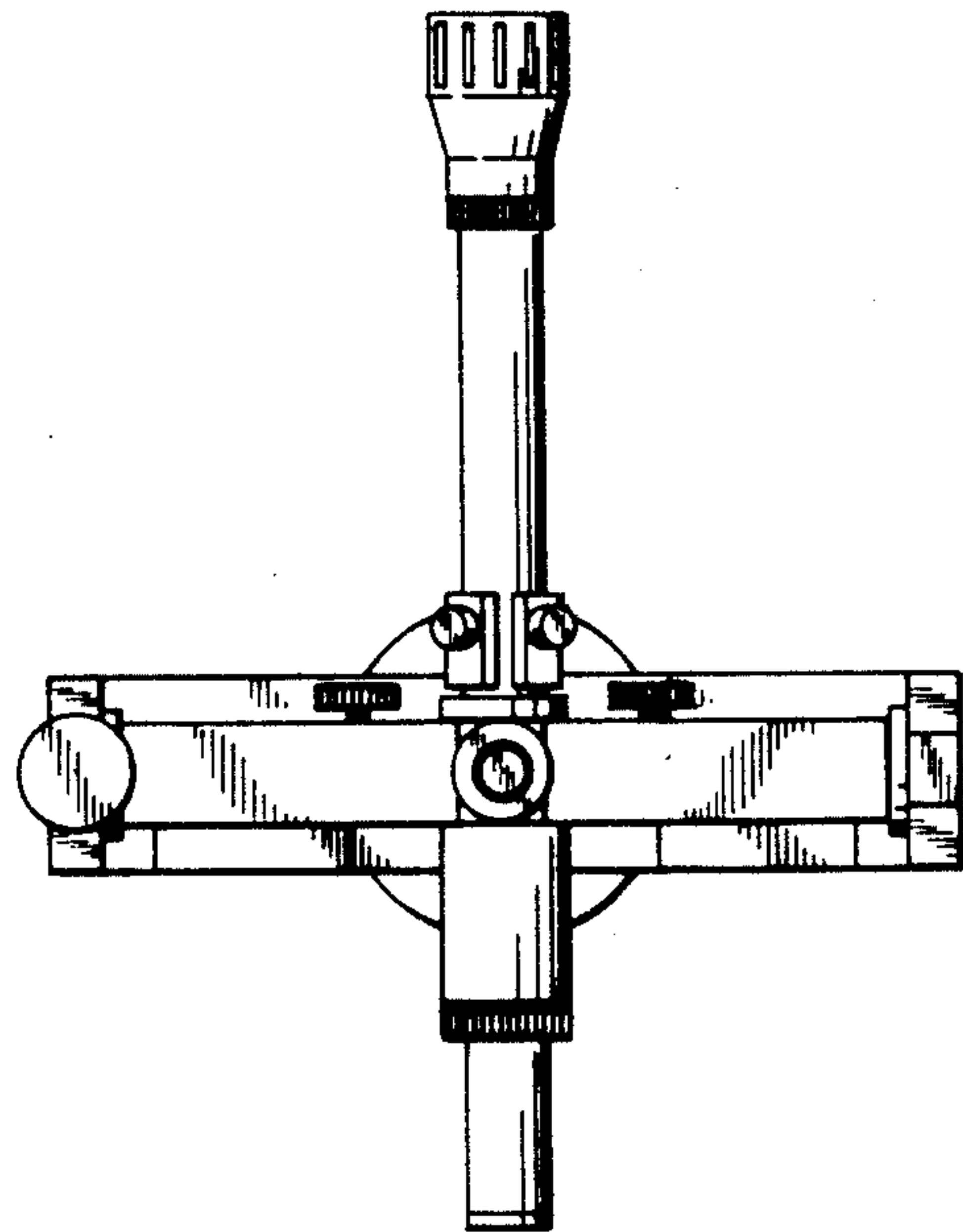


FIG. 3

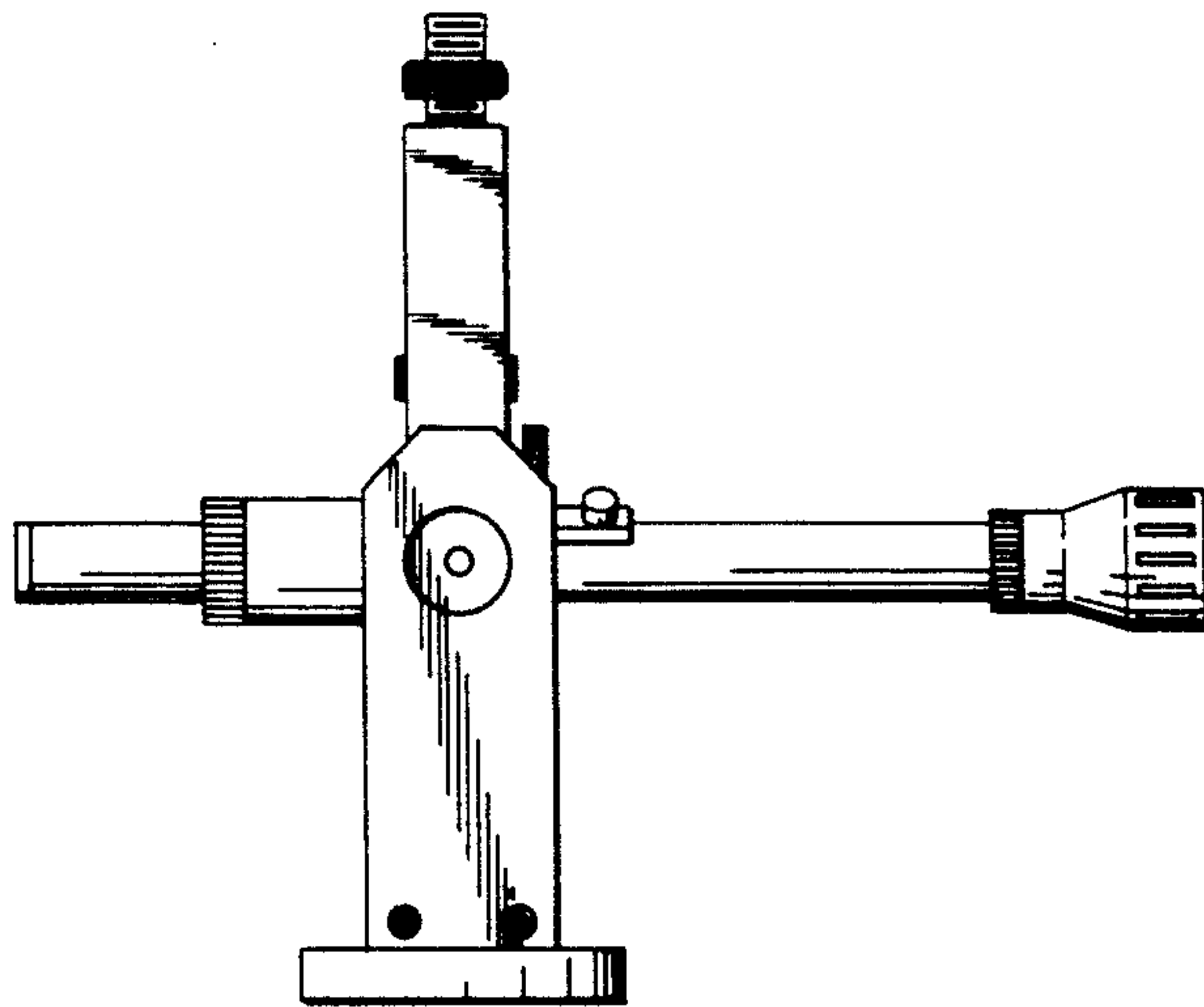


FIG. 4

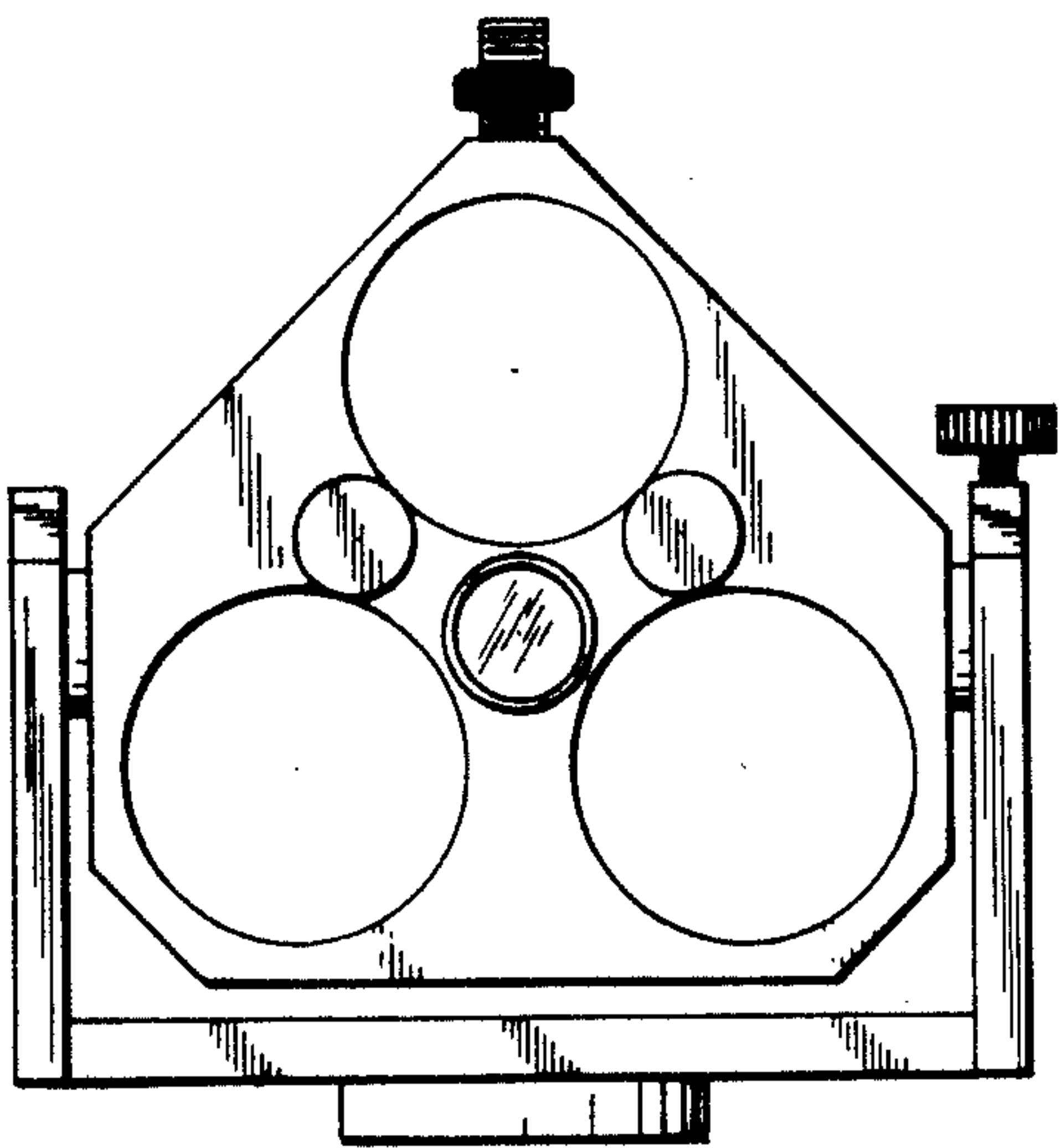


FIG. 5

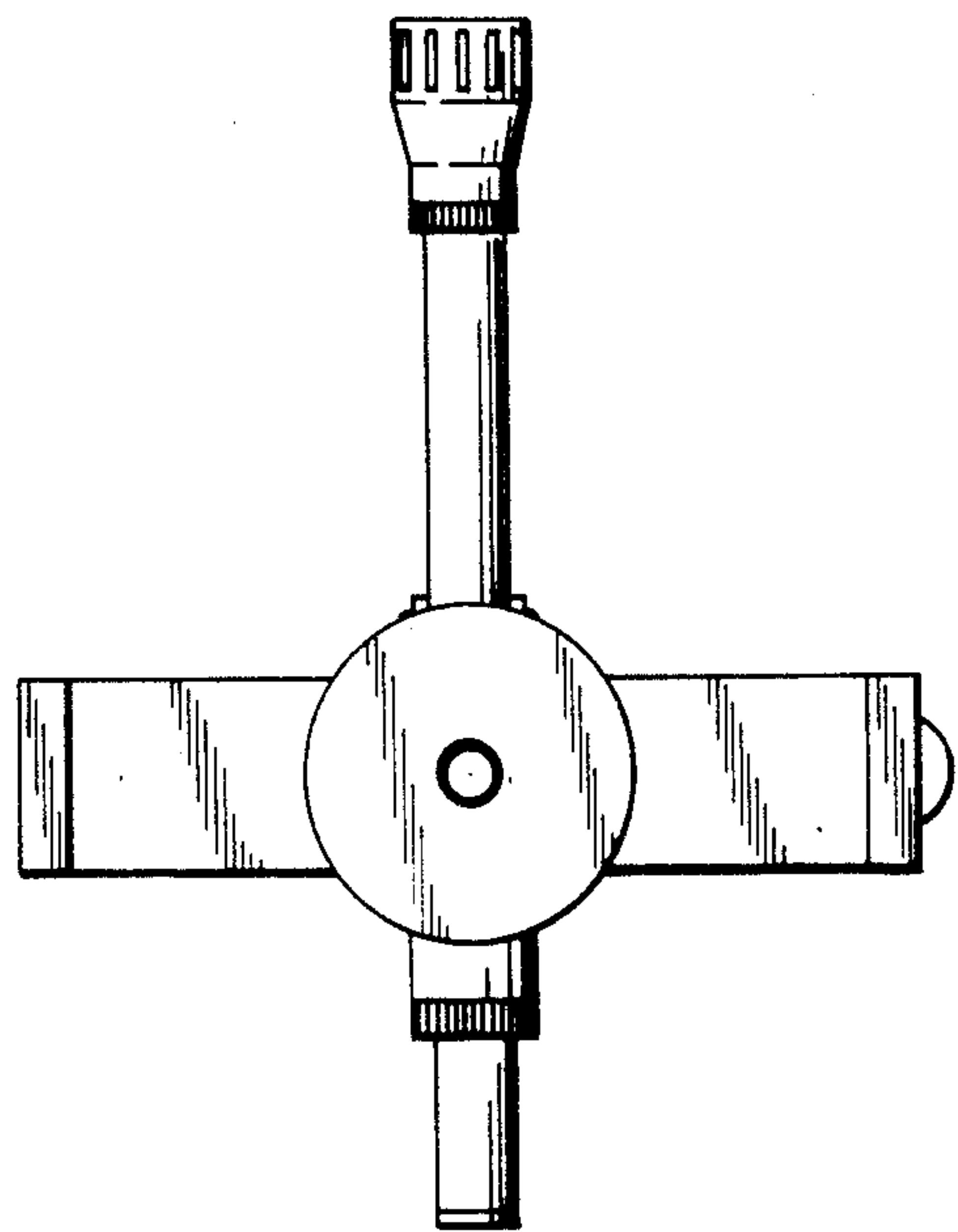


FIG. 6