

- [54] RADIATION MEASURER OR SIMILAR ARTICLE
- [75] Inventor: Geo. L. Helgeson, Pleasanton, Calif.
- [73] Assignee: Helgeson Nuclear Services, Inc., Pleasanton, Calif.
- [**] Term: 14 Years
- [21] Appl. No.: 666,042
- [22] Filed: Mar. 11, 1976
- [51] Int. Cl. D10-04
- [52] U.S. Cl. D10/47
- [58] Field of Search D10/46, 47; 250/363 S, 250/366

- D. 209,011 10/1967 Sollima D10/47
- D. 221,994 9/1971 Gemmill D10/47
- 3,233,102 2/1966 Packard 250/363 S
- 3,501,634 3/1970 Roesch 250/363 S

OTHER PUBLICATIONS

Biomedical Sciences Instrumentation, vol. I, pp. 244-245 & 248 Low-Level Gamma Counter.

Primary Examiner—Nelson C. Holtje
Attorney, Agent, or Firm—Theodore J. Bielen, Jr.

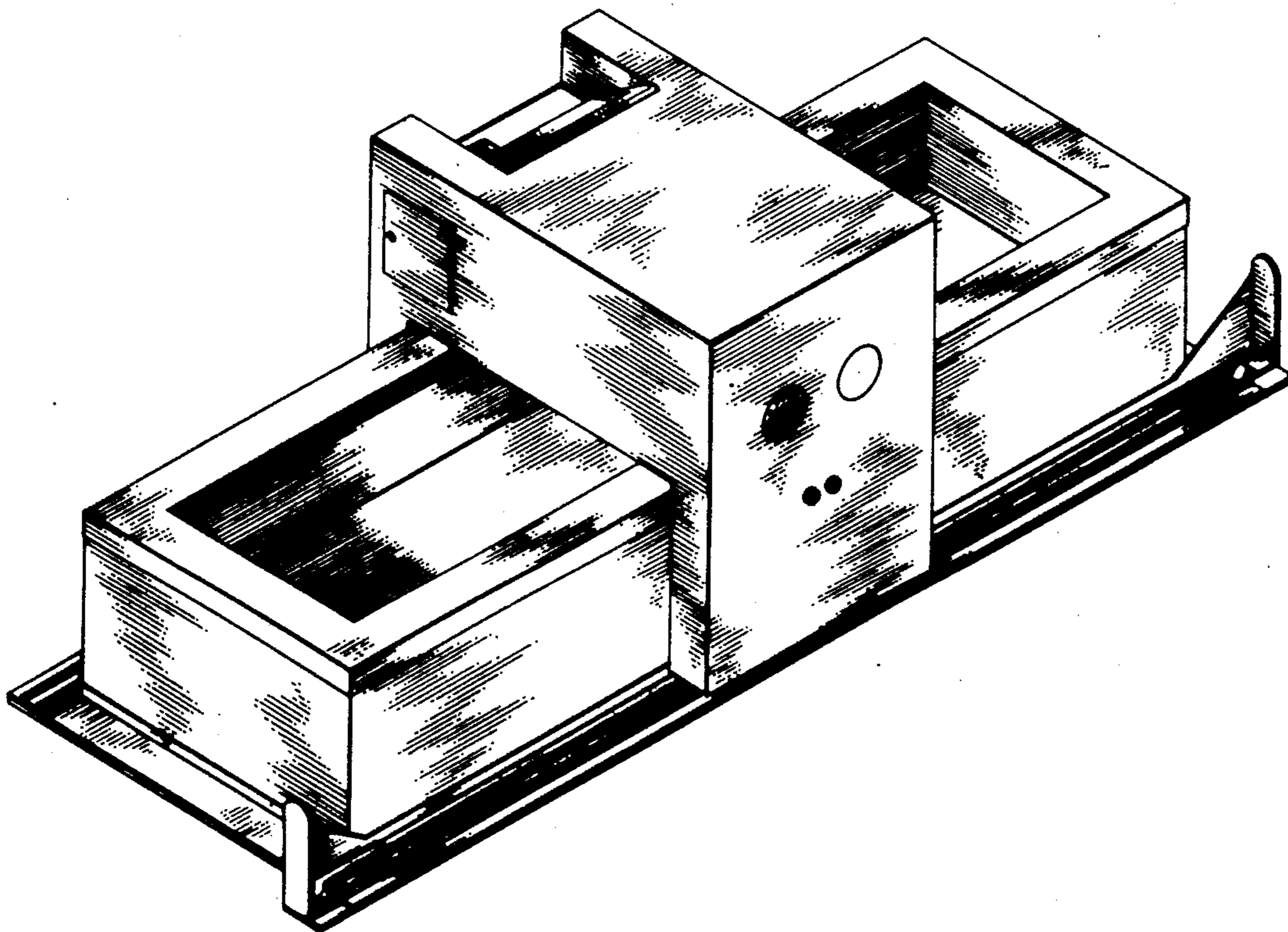
[57] CLAIM

The ornamental design for a radiation measure or similar article, as shown.

DESCRIPTION

FIG. 1 is a rear perspective view of a radiation measurer or similar article showing my new design; FIG. 2 is a front elevational view thereof; FIG. 3 is a top plan view thereof; FIG. 4 is a left end elevational view thereof.

- [56] **References Cited**
U.S. PATENT DOCUMENTS
- D. 198,585 7/1964 Anderson D10/47



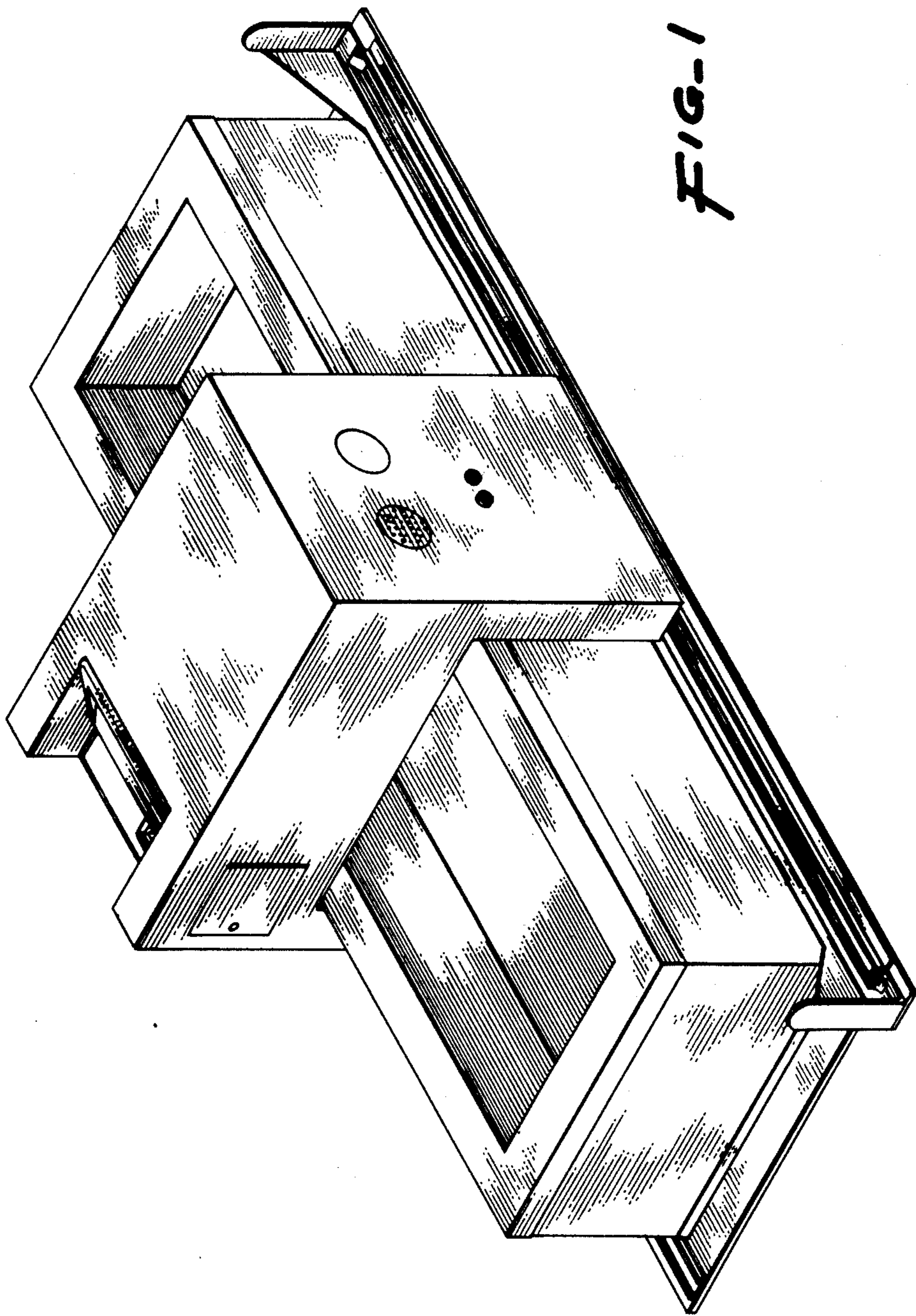


FIG-1

FIG-2

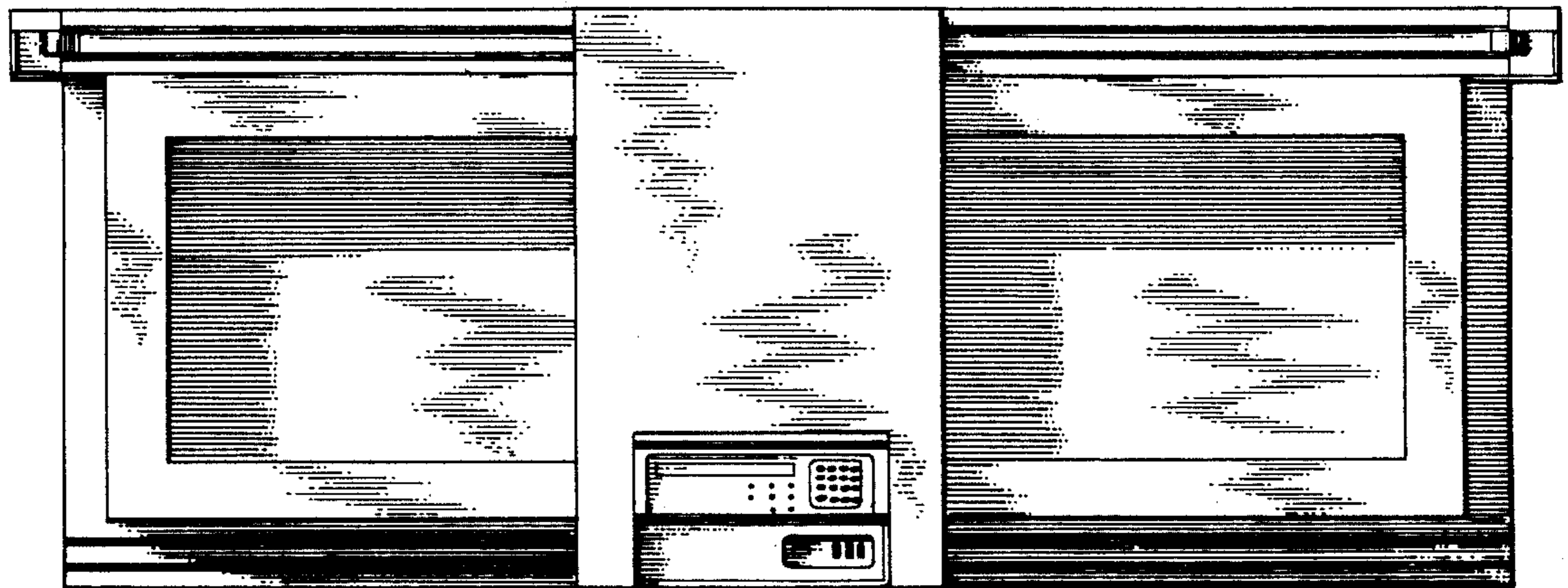
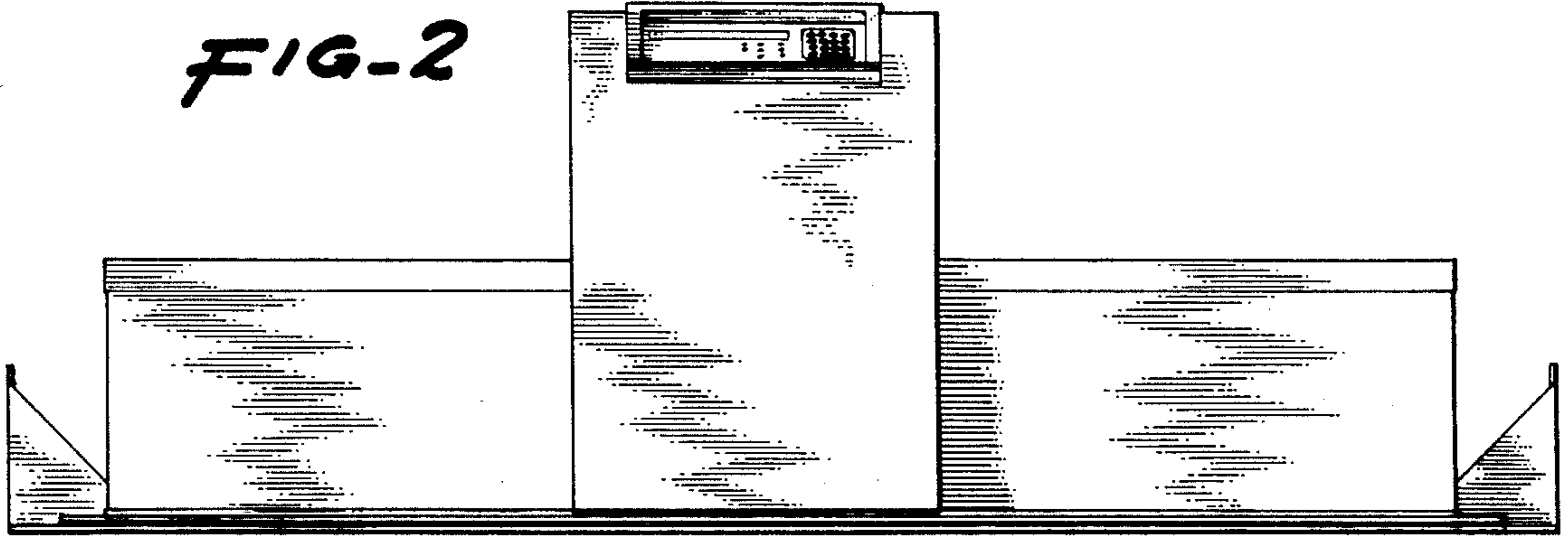


FIG-3

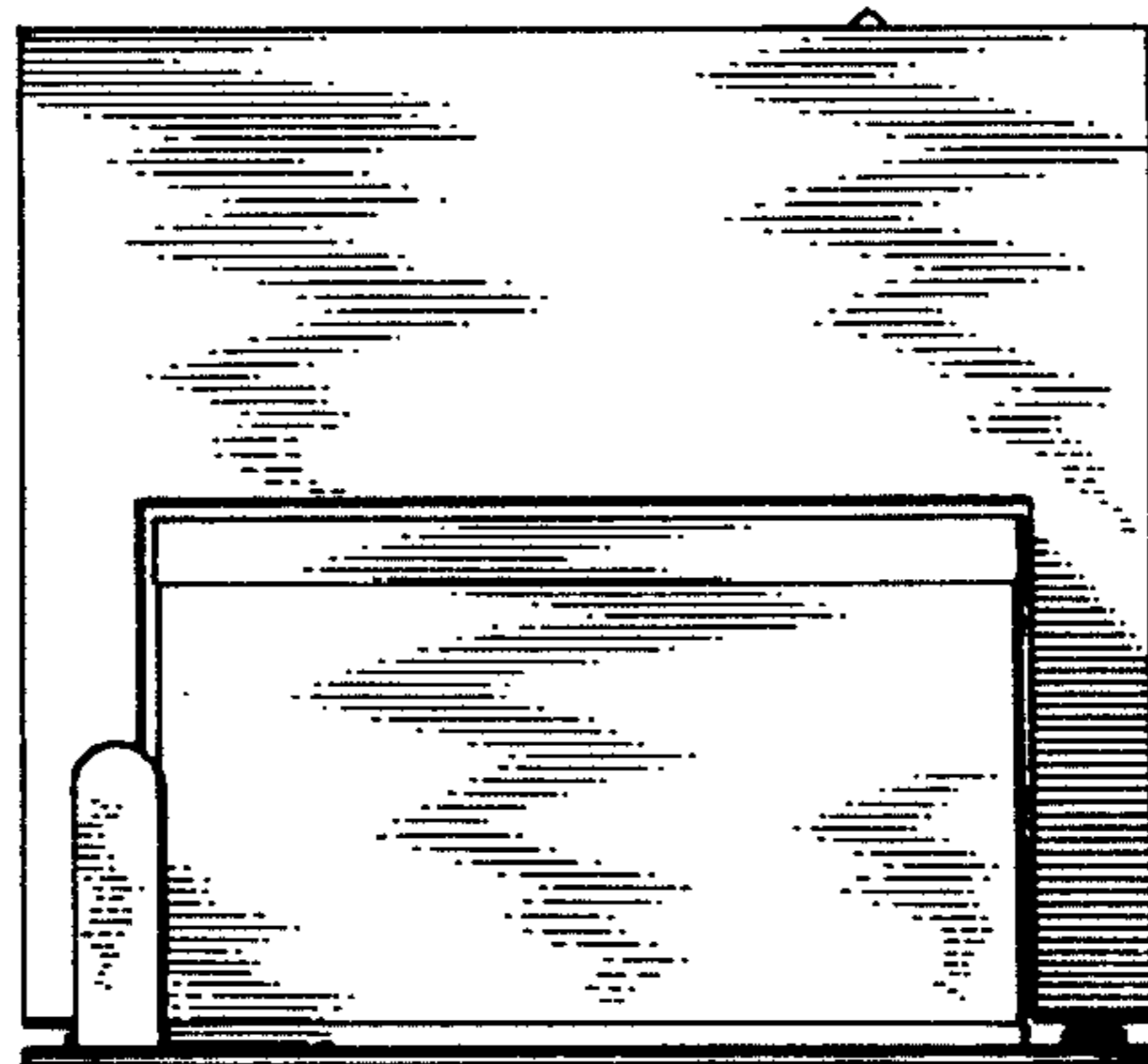


FIG-4