

[54] **POST CAP**

[76] **Inventor:** **George E. France**, 901 W. James St.,
 Geneva, Ill. 60134

[**] **Term:** **14 Years**

[21] **Appl. No.:** **734,713**

[22] **Filed:** **Oct. 22, 1976**

Related U.S. Application Data

[63] Continuation-in-part of Ser. No. 487,129, Jul. 10, 1974,
 Pat. No. D. 242,037.

[51] **Int. Cl.** **D8-08**

[52] **U.S. Cl.** **D8/380; D8/354;**
D8/373; D25/61

[58] **Field of Search** **D8/354, 366, 373, 380,**
D8/387; D25/61, 70, 77, 78, 79, 98; 52/281, 90,
300, 301, 146; 403/232, 231, 187, 219, 232.1

[56] **References Cited**

U.S. PATENT DOCUMENTS

D. 226,833	5/1973	Rich	D8/380
922,215	5/1909	Tuteur	403/232.1 X
1,097,934	5/1914	Price	403/232.1 X
2,037,736	4/1936	Payne et al.	403/231 X
2,477,163	7/1949	Barnett	403/232.1 X
3,328,056	6/1967	Heiken	403/231

OTHER PUBLICATIONS

Sweet's Architectural Catalog File, 1976, Section 6.4
d/AM, p. 36, steel shoe at top left.

Primary Examiner—A. Hugo Word
Attorney, Agent, or Firm—Everett A. Johnson

[57] **CLAIM**

The ornamental design for a post cap, as shown and
 described.

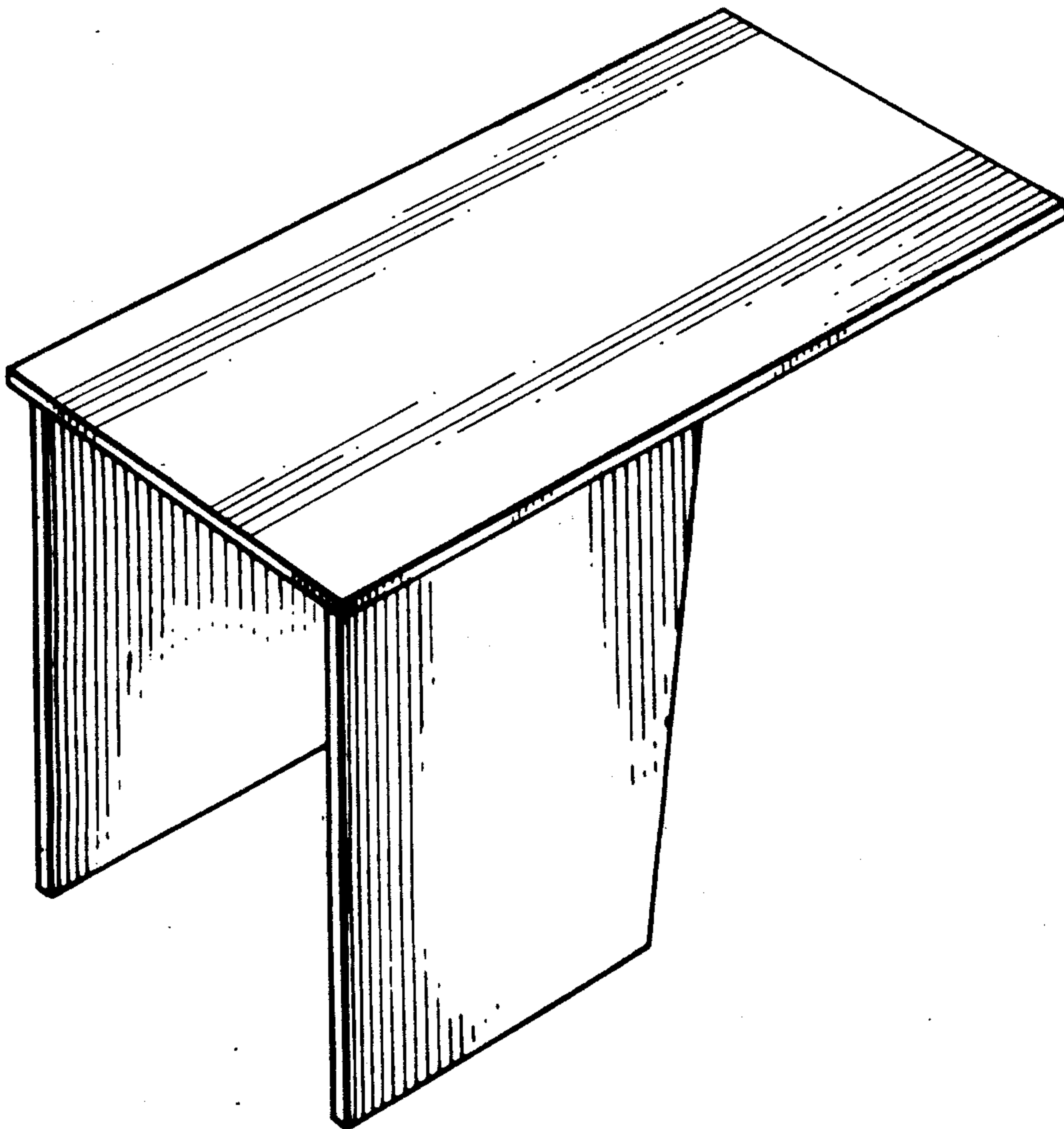
DESCRIPTION

FIG. 1 is an end perspective of a post cap embodying
 my design.

FIG. 2 is a side elevation thereof.

FIG. 3 is a bottom view thereof.

FIG. 4 and FIG. 5 are opposite end views thereof.



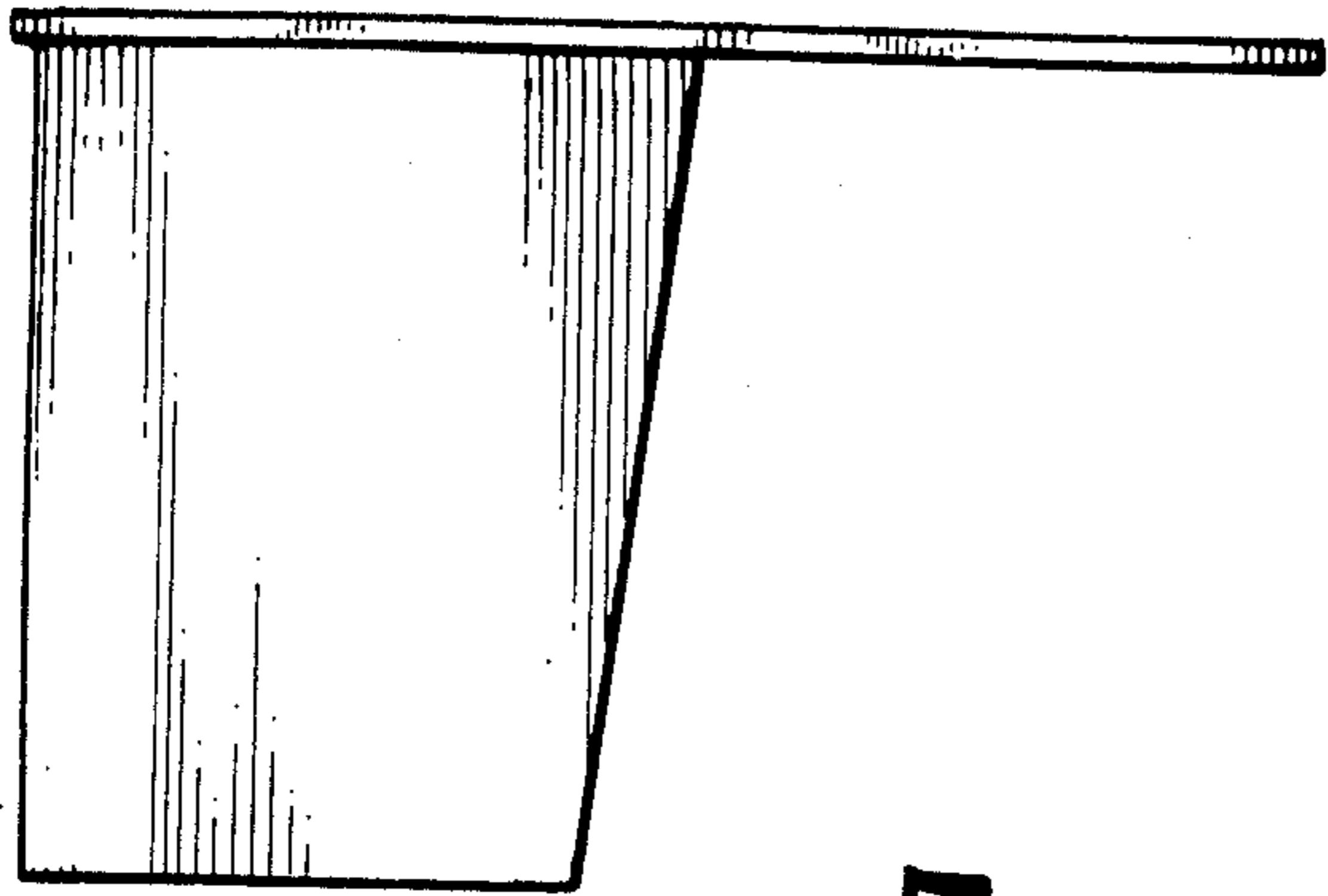


FIG. 2

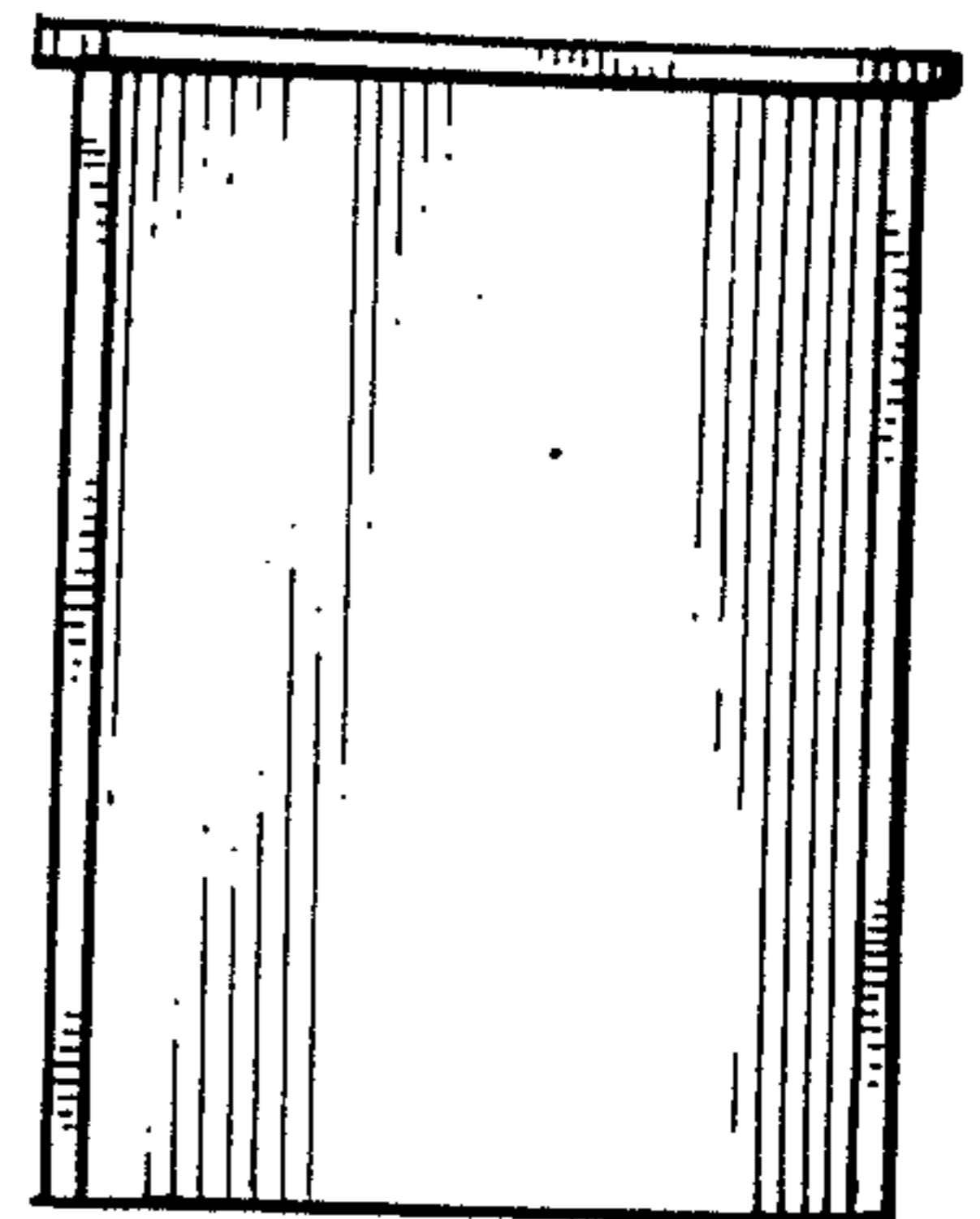


FIG. 4

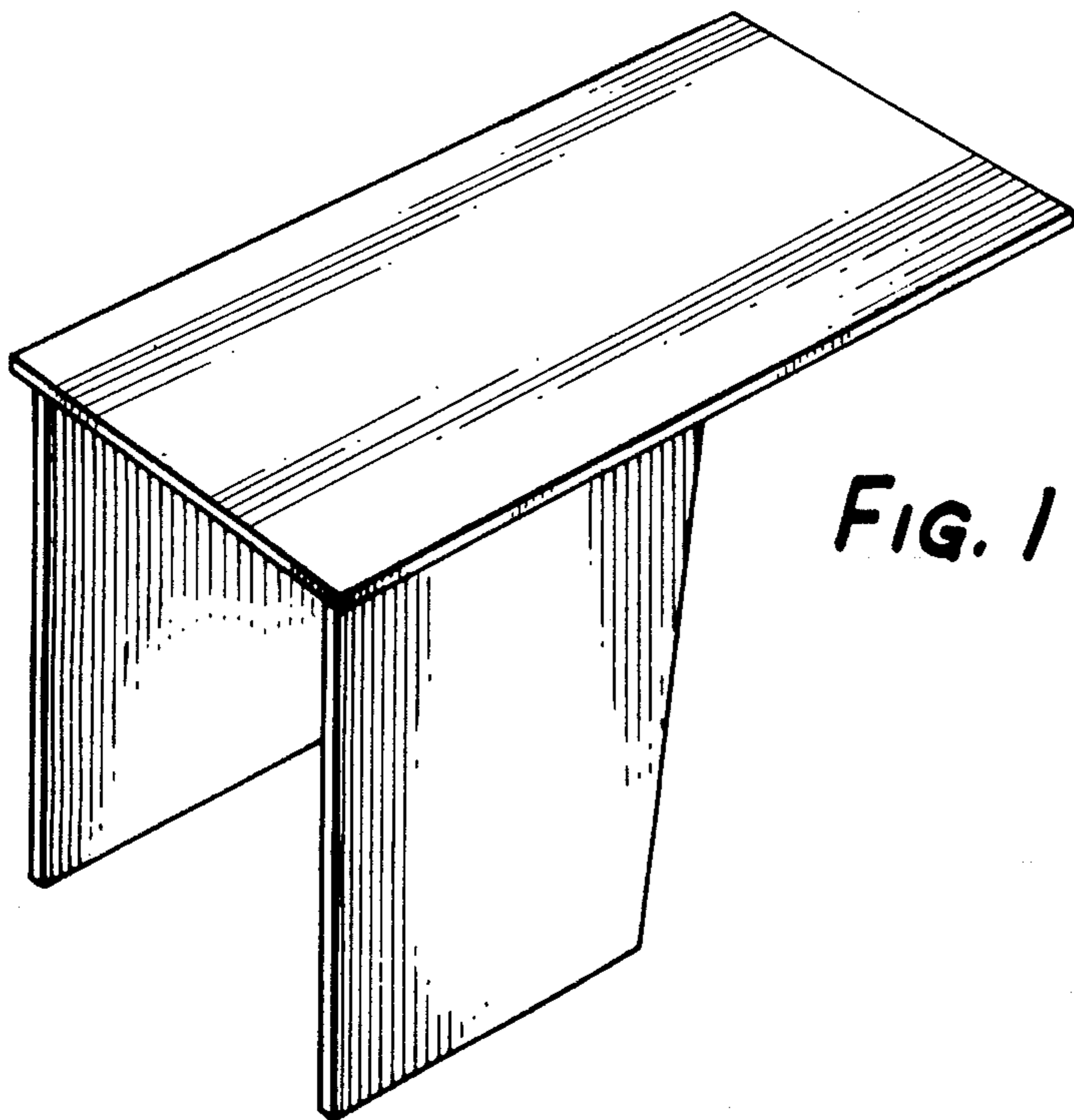


FIG. 1

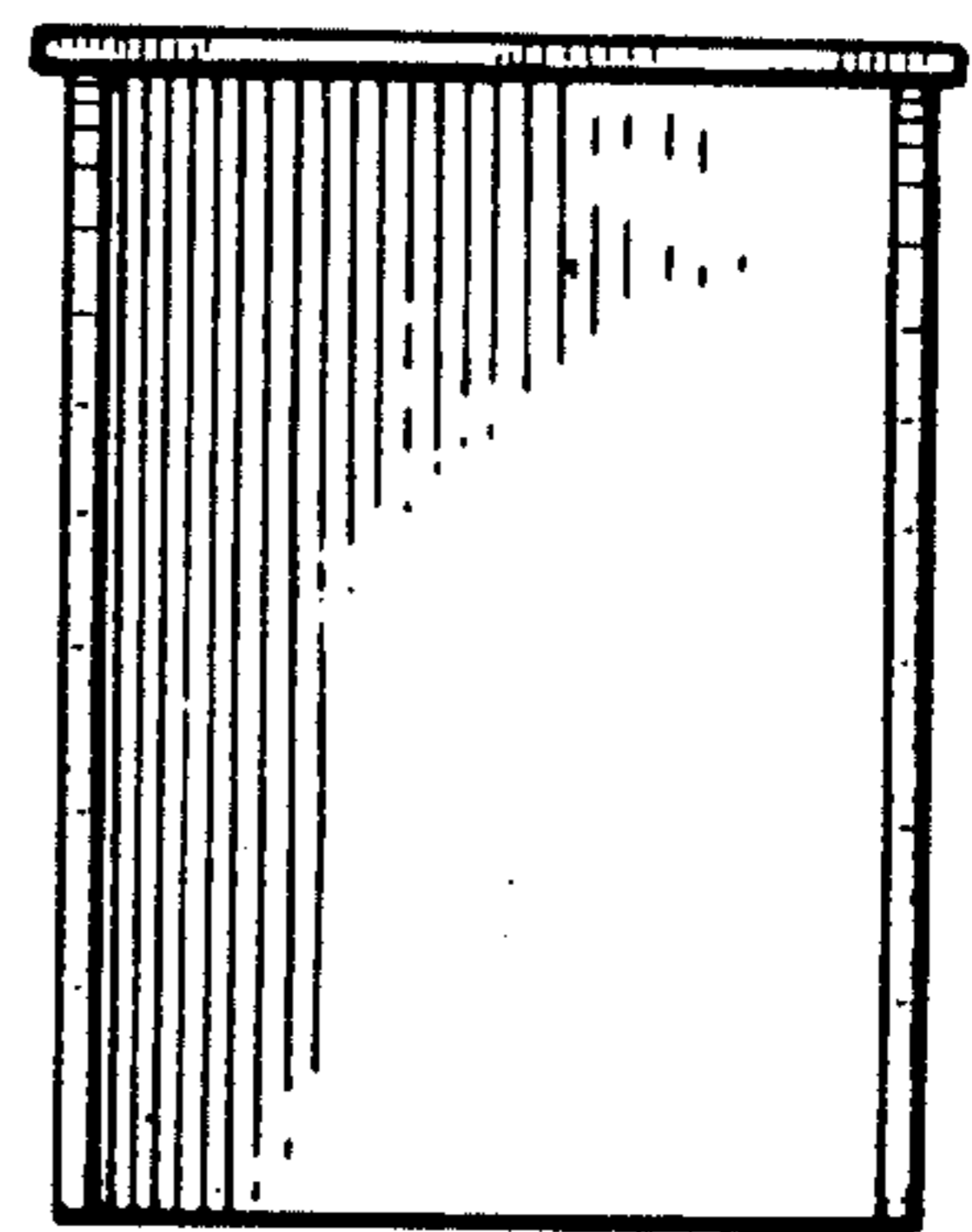


FIG. 5

FIG. 3

