

[54] **DEADBOLT LOCKING DEVICE**

[76] Inventors: **Allan Miller**, 5 Shaw La., Irvington;
Florian Fischler, McKeoun Dr.,
Hopewell Junction, both of N.Y.
12533

[**] Term: **14 Years**

[21] Appl. No.: **725,167**

[22] Filed: **Sep. 21, 1976**

[51] Int. Cl. **D8-07**

[52] U.S. Cl. **D8/339**

[58] Field of Search **D8/339, 341, 331;**
292/147, 148, 2

3,659,885 5/1972 Nail 292/2

FOREIGN PATENT DOCUMENTS

509,856 3/1952 Belgium 292/148

853,639 12/1939 France 292/148

Primary Examiner—Wallace R. Burke
Assistant Examiner—James M. Gandy
Attorney, Agent, or Firm—Robert A. Seldon

[56] **References Cited**

U.S. PATENT DOCUMENTS

3,599,453 8/1971 Bauernfeind 292/148

[57] **CLAIM**

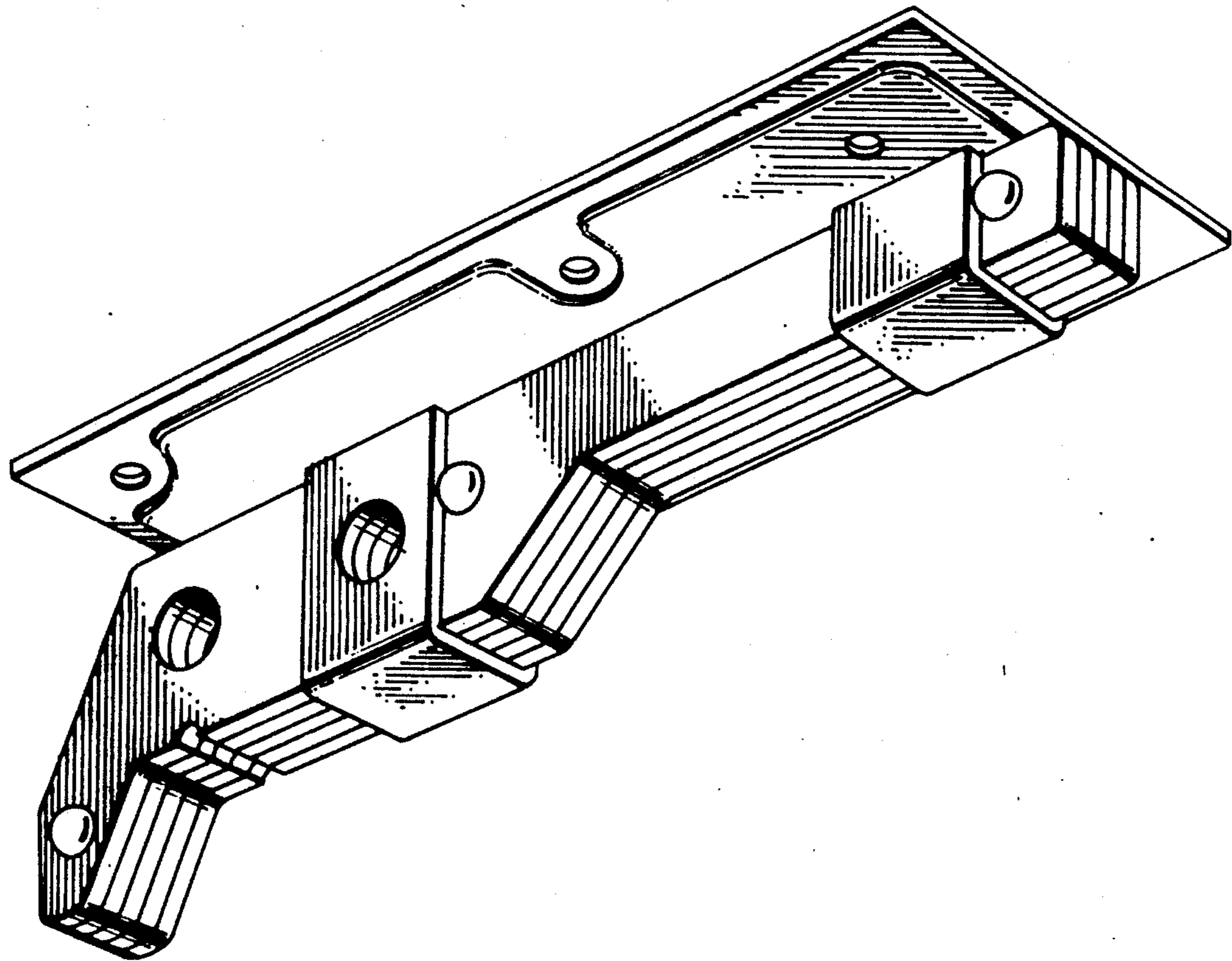
The ornamental design for a deadbolt locking device, as shown.

DESCRIPTION

FIG. 1 is a top plan view of a deadbolt locking device showing our new design, the bottom being substantially a mirror image thereof;

FIG. 2 is a front elevational view thereof; and

FIG. 3 is a top perspective view thereof.



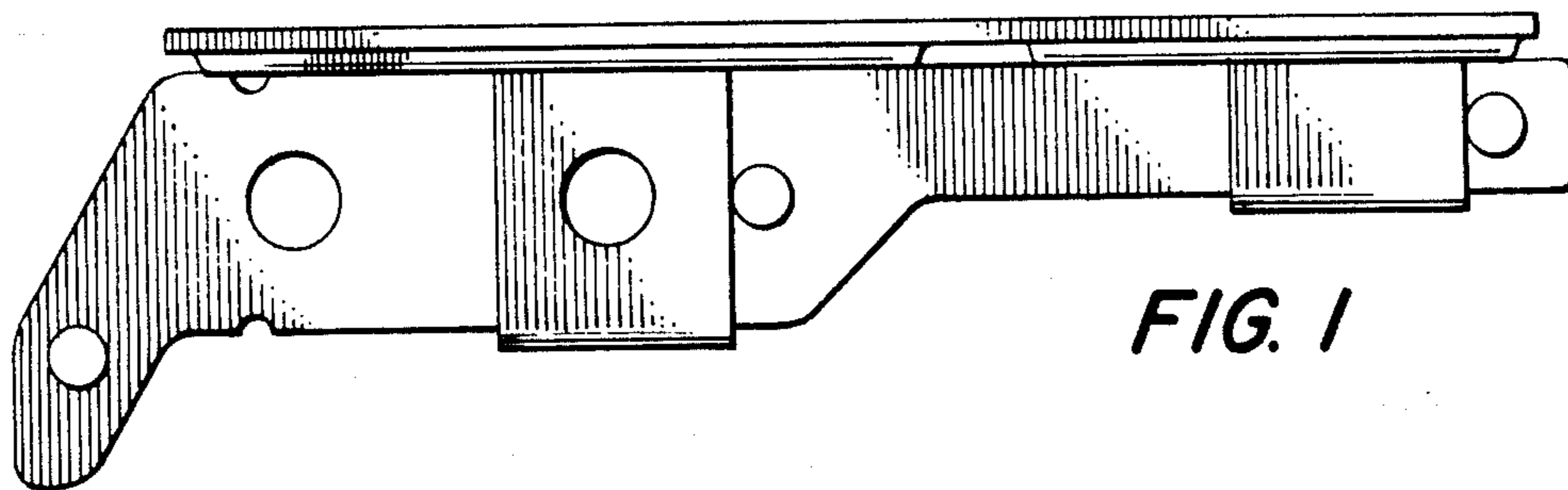


FIG. 1

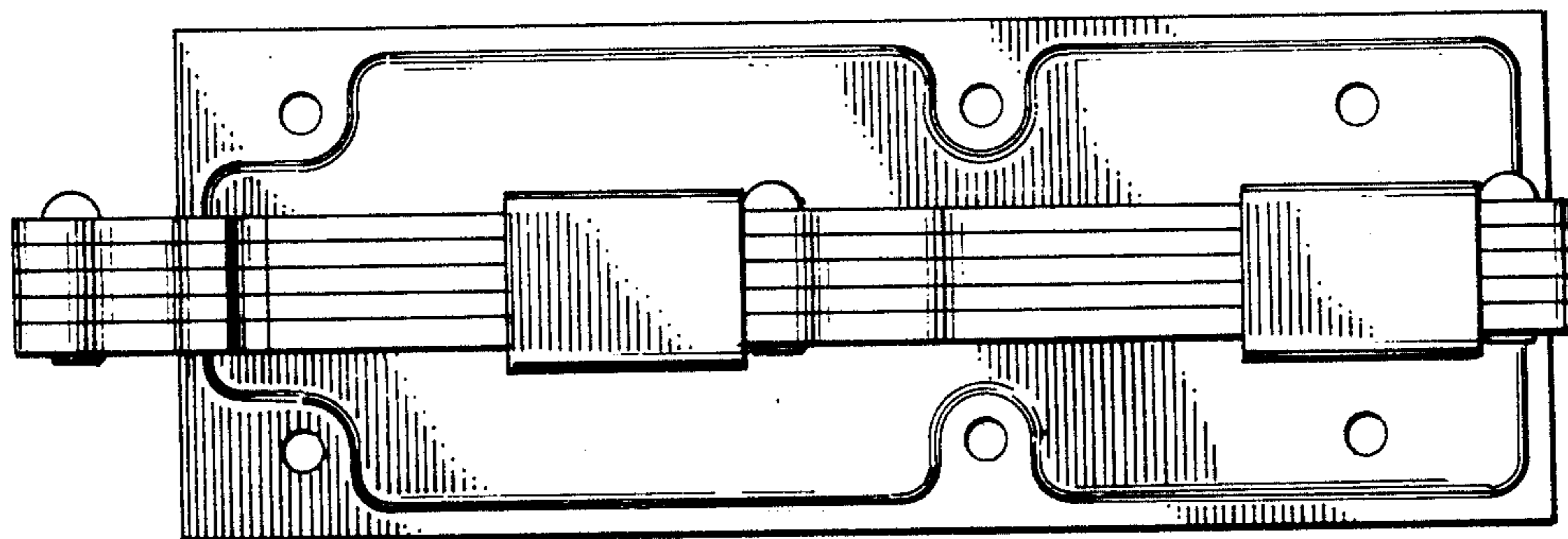


FIG. 2

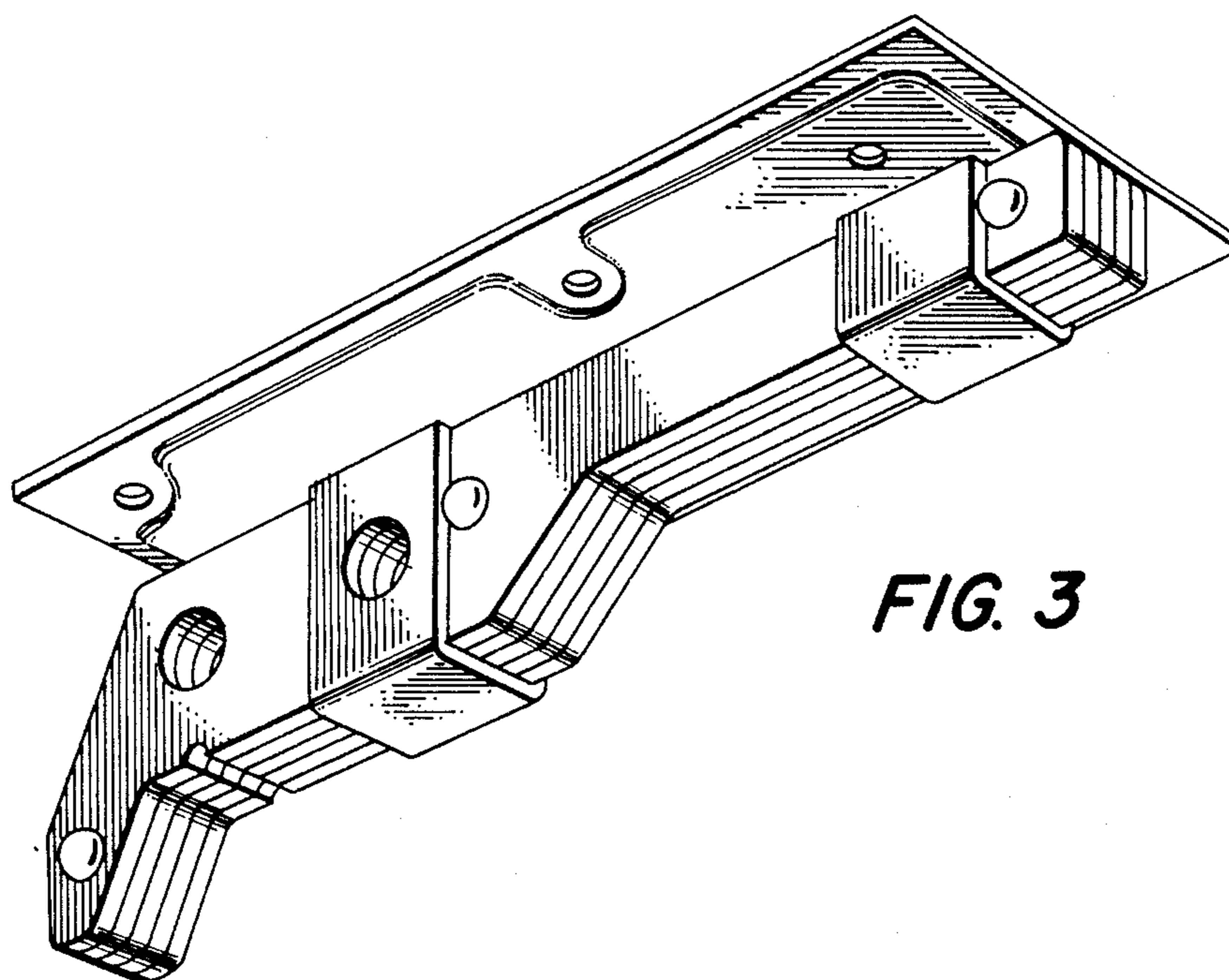


FIG. 3