

[54] COOKING POT LID
 [76] Inventor: Eleanor K. Tuggy, 523 W. Junipero, Santa Barbara, Calif. 93105
 [**] Term: 14 Years
 [21] Appl. No.: 724,902
 [22] Filed: Sep. 20, 1976
 [51] Int. Cl. D7-02
 [52] U.S. Cl. D7/131
 [58] Field of Search 220/287, 369; 16/114 A, 16/118, 110A, 110.5; D7/41, 131, 129, 132, 85, 86, 90, 94, 95, 96, 97, 40

3,687,331 8/1972 Racz D7/131 X

OTHER PUBLICATIONS

Everedy Chrome Cookware Cat., p. 22, Middle Panel, Set #1295, cover at middle left.
 Supplement to Home Furnishings Daily, 1-13-1976, p. 1, West Bend Slo-Cooker at bottom. Item A cover for Cooker "Lazy Day."

Primary Examiner—Winifred E. Herrmann
 Attorney, Agent, or Firm—James E. Hawes

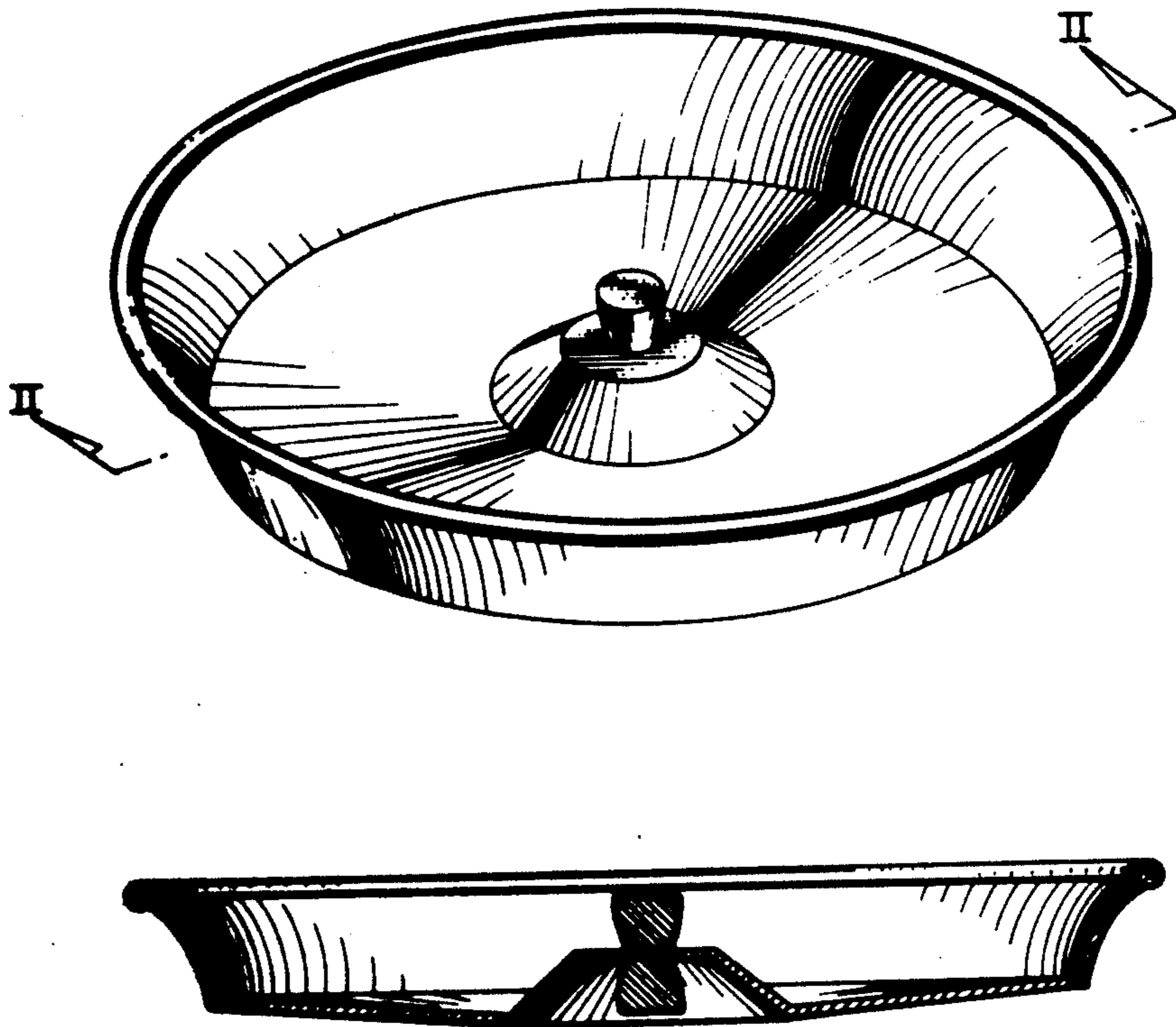
CLAIM

[57] The ornamental design for a cooking pot lid, as shown.

DESCRIPTION

FIG. 1 is a perspective view of a cooking pot lid showing my new design.
 FIG. 2 is a cross-sectional view of the cooking pot lid taken on lines II—II of FIG. 1.
 FIG. 3 is a top view thereof on a reduced scale.
 FIG. 4 is a bottom view thereof on a reduced scale.

[56] References Cited
 U.S. PATENT DOCUMENTS
 D. 31,464 8/1899 Hinoult D7/131
 D. 105,937 9/1937 Conroy D7/85
 D. 160,070 9/1950 Carr D7/99
 2,643,024 6/1953 Cronheim 220/287 X



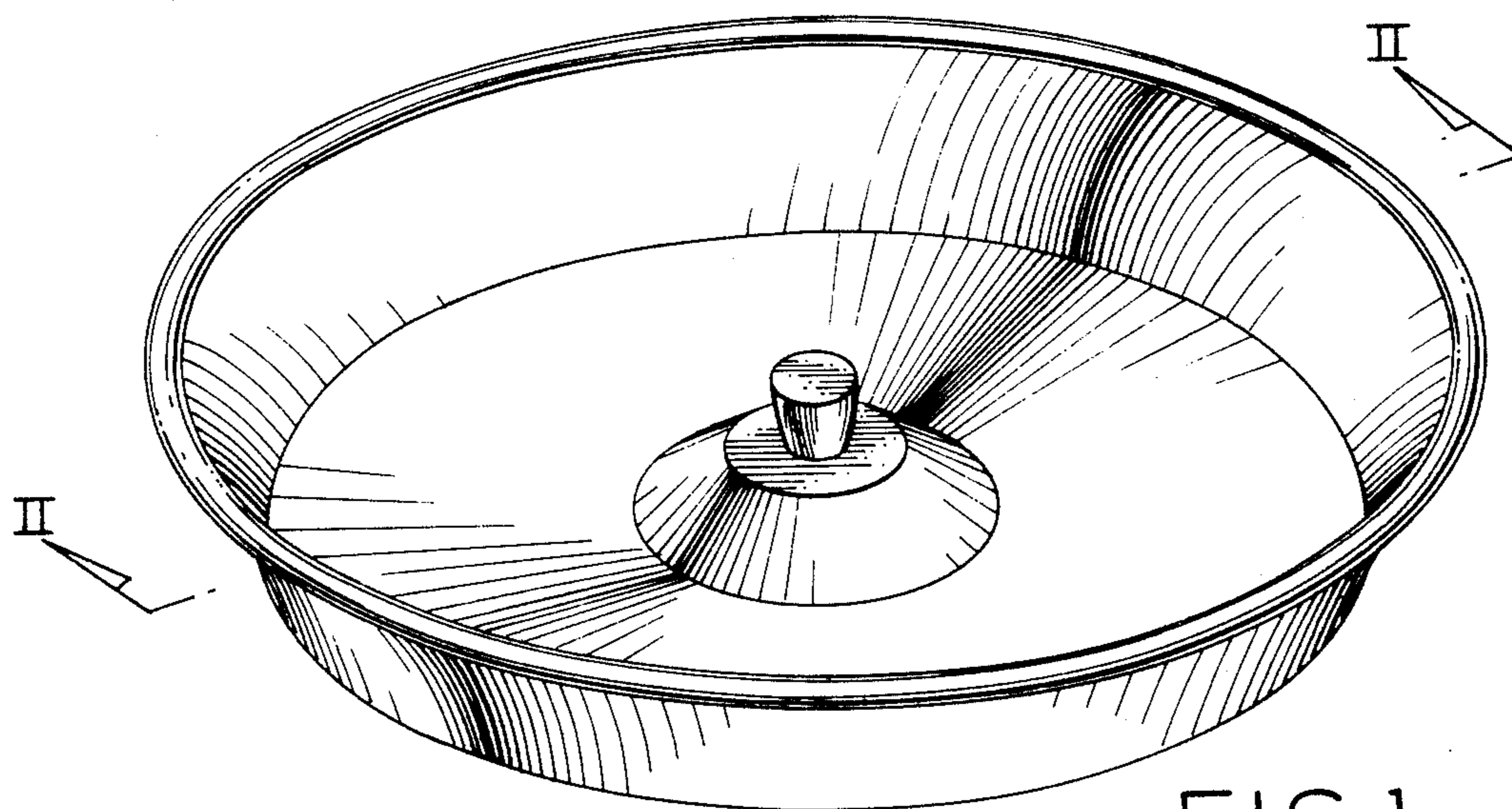


FIG. 1

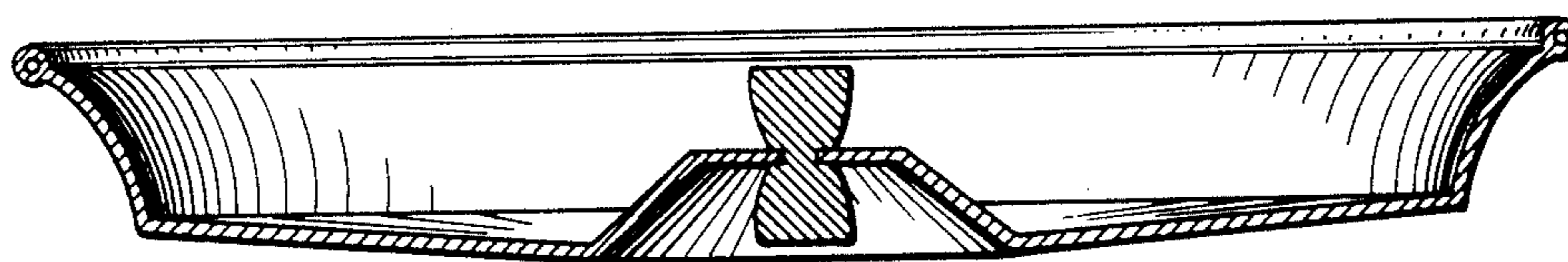


FIG. 2

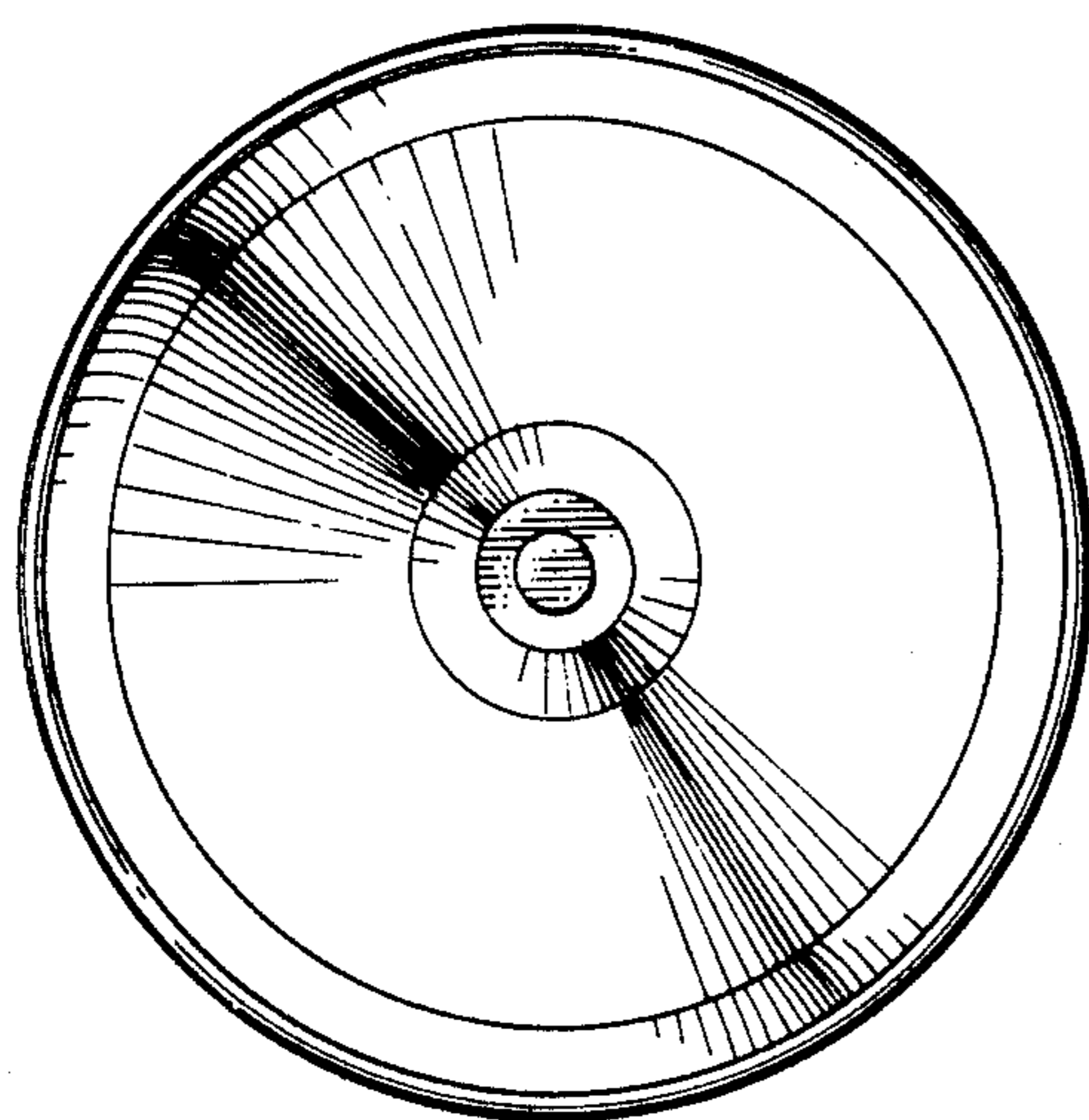


FIG. 3

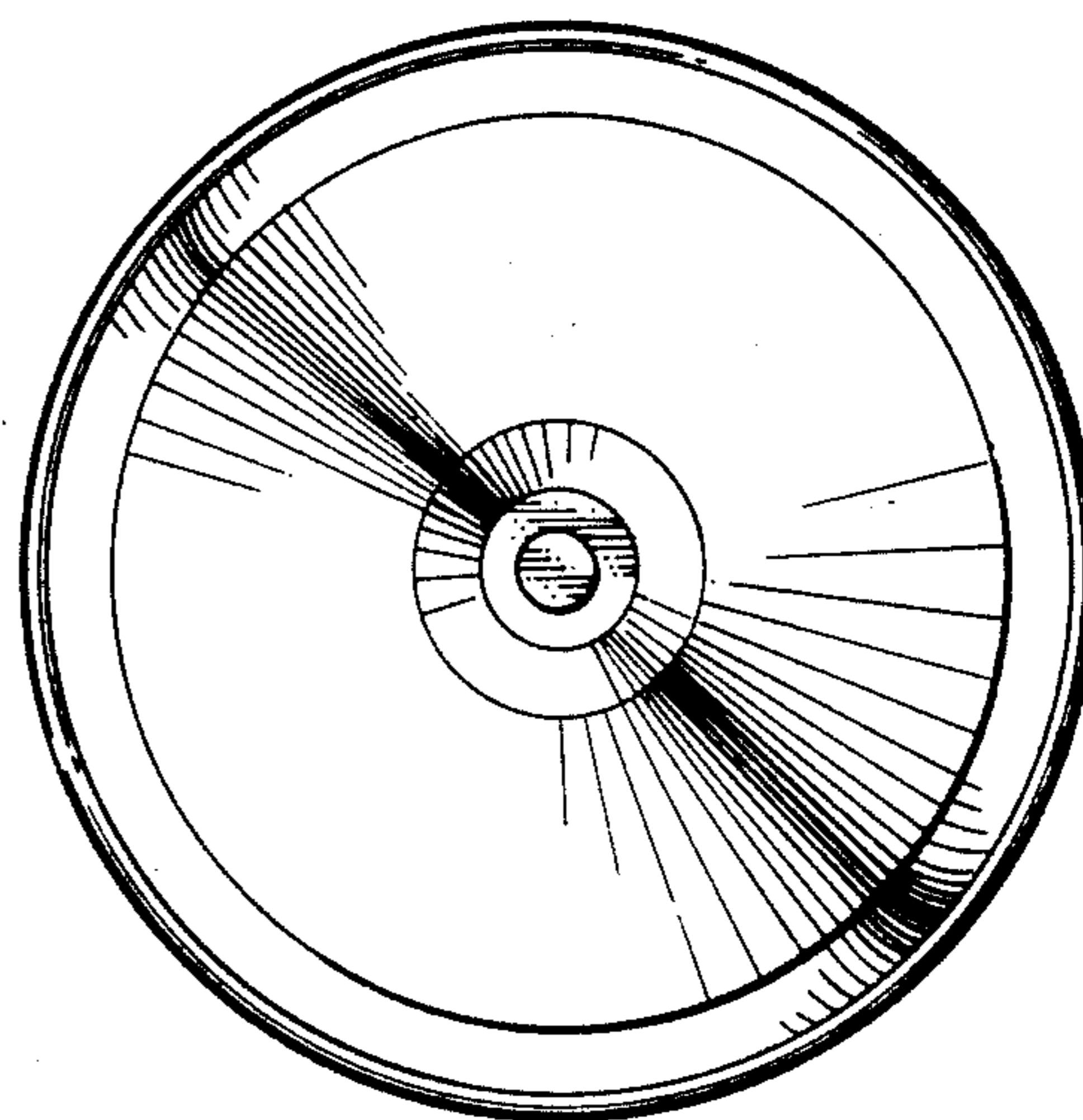


FIG. 4