

[54] FRYER

[75] Inventors: Ron Babros; Norm Minsky, both of West Bend, Wis.

[73] Assignee: Dart Industries Inc., Los Angeles, Calif.

[**] Term: 14 Years

[21] Appl. No.: 754,488

[22] Filed: Dec. 27, 1976

[51] Int. Cl. D7-02

[52] U.S. Cl. D7/94; D7/97

[58] Field of Search D7/61, 85, 86, 94, 95, D7/96, 97; D15/104

[56] References Cited

U.S. PATENT DOCUMENTS

D. 170,575	10/1953	Jepson	D7/94
D. 232,148	7/1974	Yarrington	D7/94
D. 246,686	12/1977	Boldt	D7/94

OTHER PUBLICATIONS

House Furnishing Review, Dec. 1937, p. 39, Portable Elec. Cooker, Crown Stove Works, shown at left.

Primary Examiner—Winifred E. Herrmann
Attorney, Agent, or Firm—Kenneth J. Hovet

[57] CLAIM

The ornamental design for a fryer, substantially as shown and described.

DESCRIPTION

FIG. 1 is a front perspective view of a fryer showing our new design;

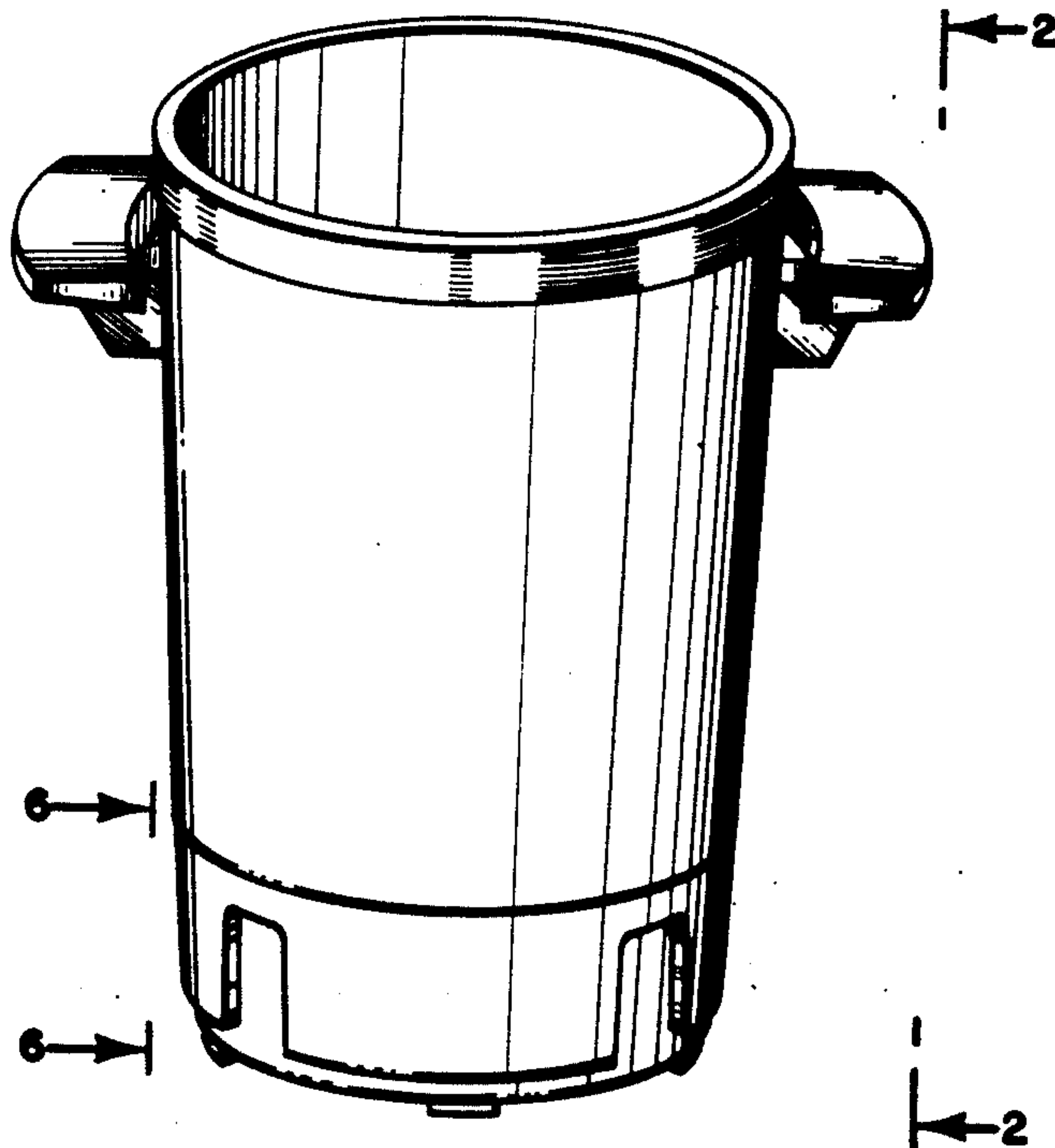
FIG. 2 is a side elevation view thereof;

FIG. 3 is a top plan view thereof;

FIG. 4 is a bottom plan view thereof;

FIG. 5 is a fragmentary back view of the base of the fryer shown in FIG. 1 and,

FIG. 6 is a fragmentary front view of the base of the fryer shown in FIG. 1.



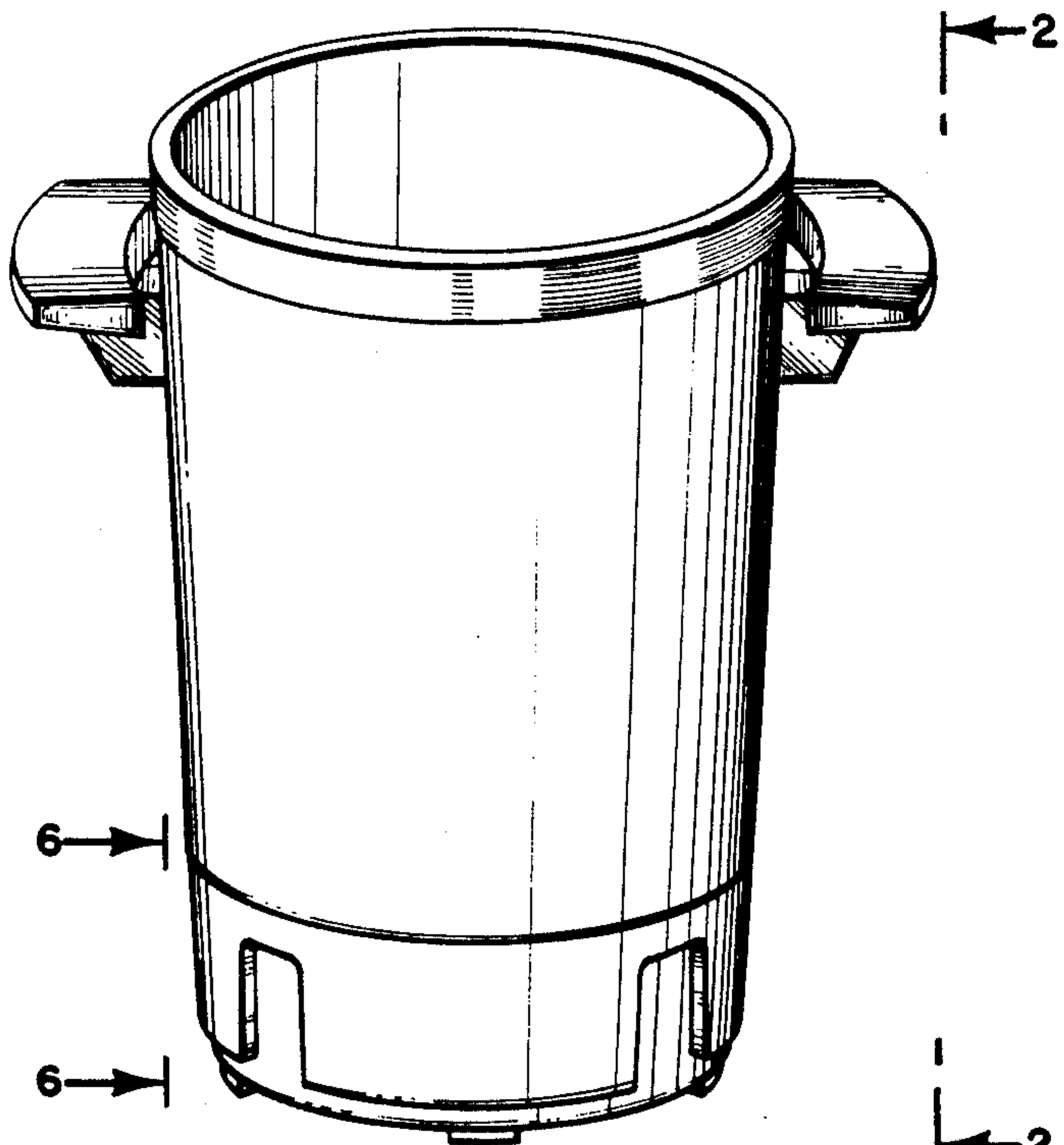


FIG. 1

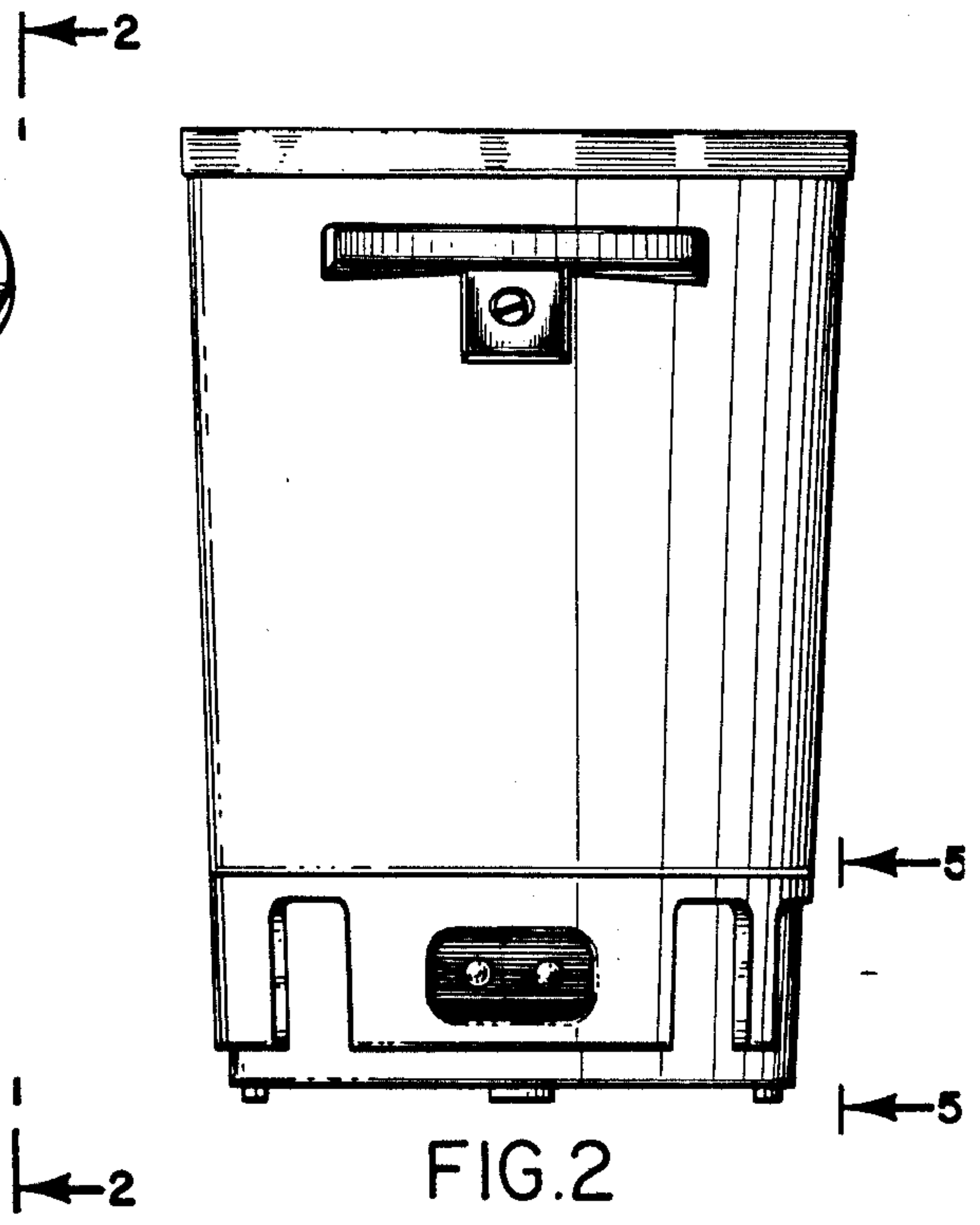


FIG. 2

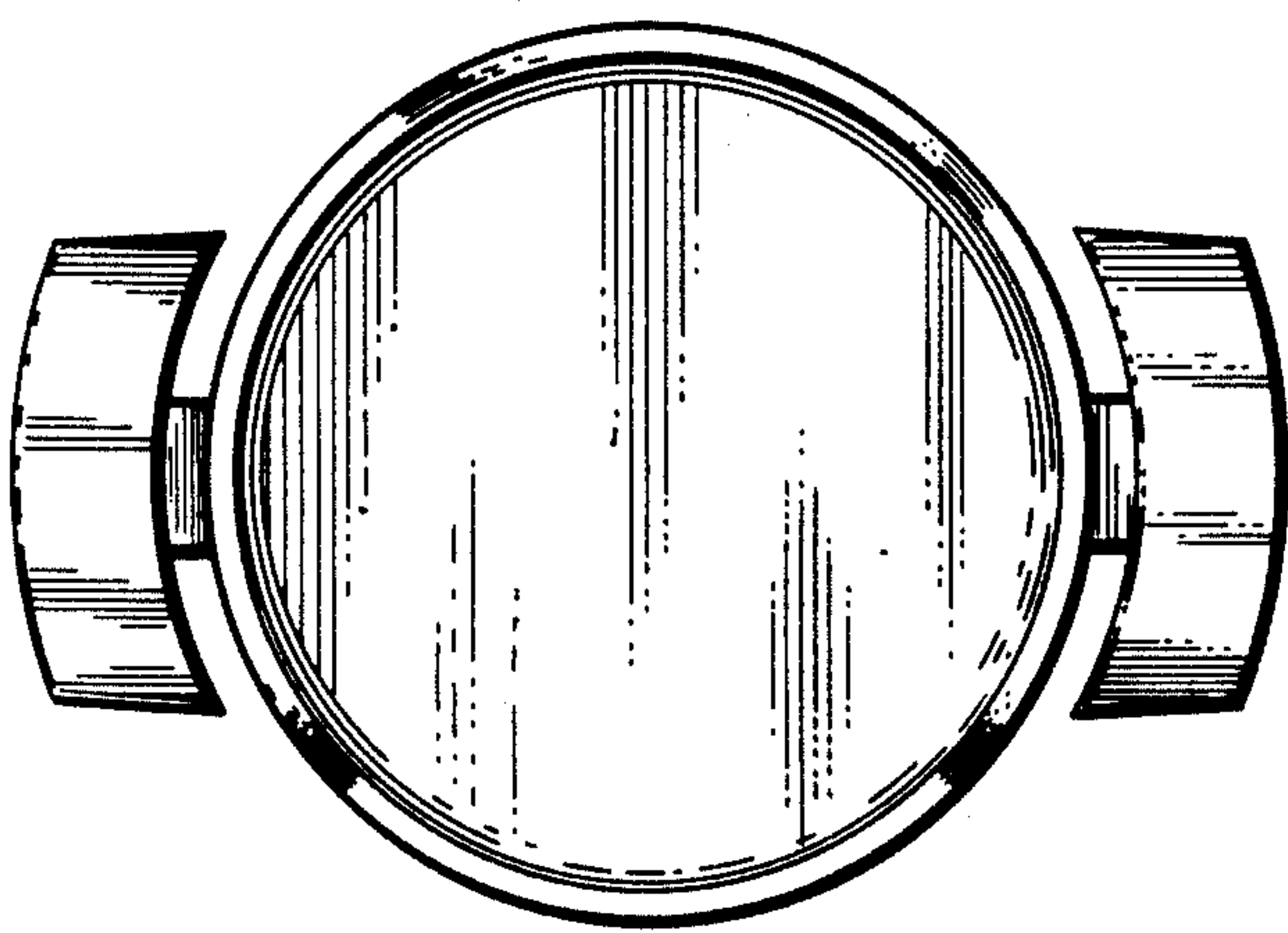


FIG. 3

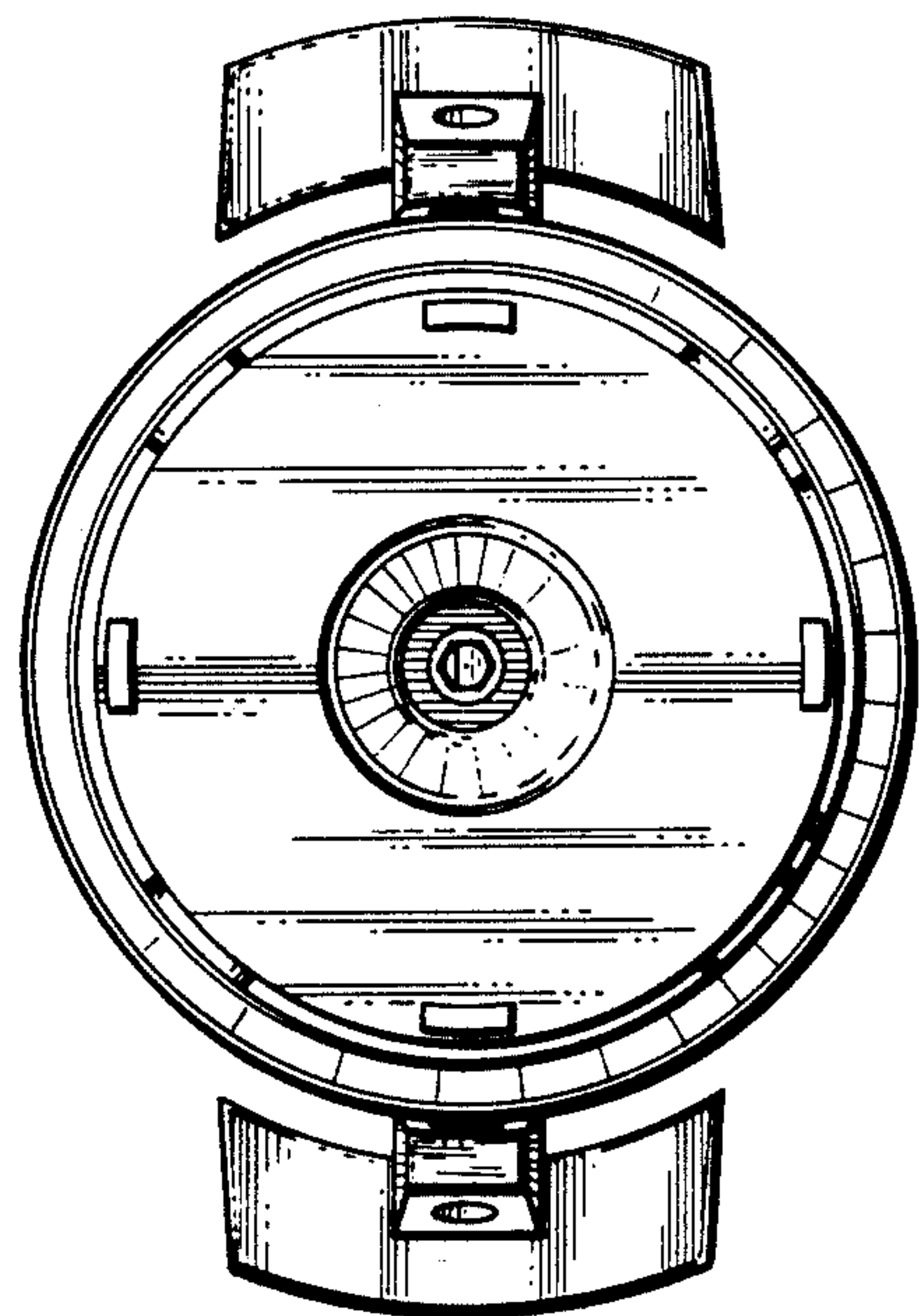


FIG. 4

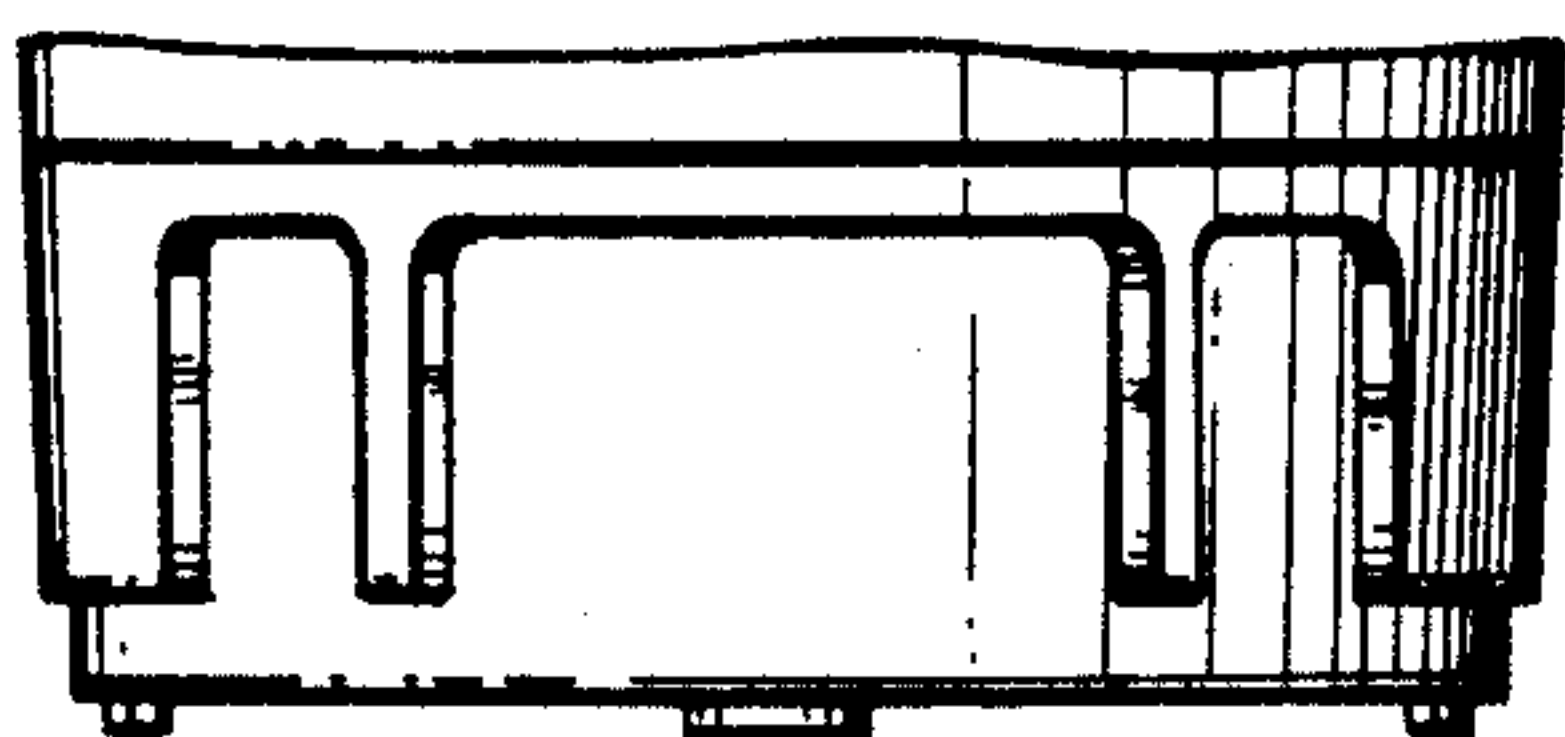


FIG. 5

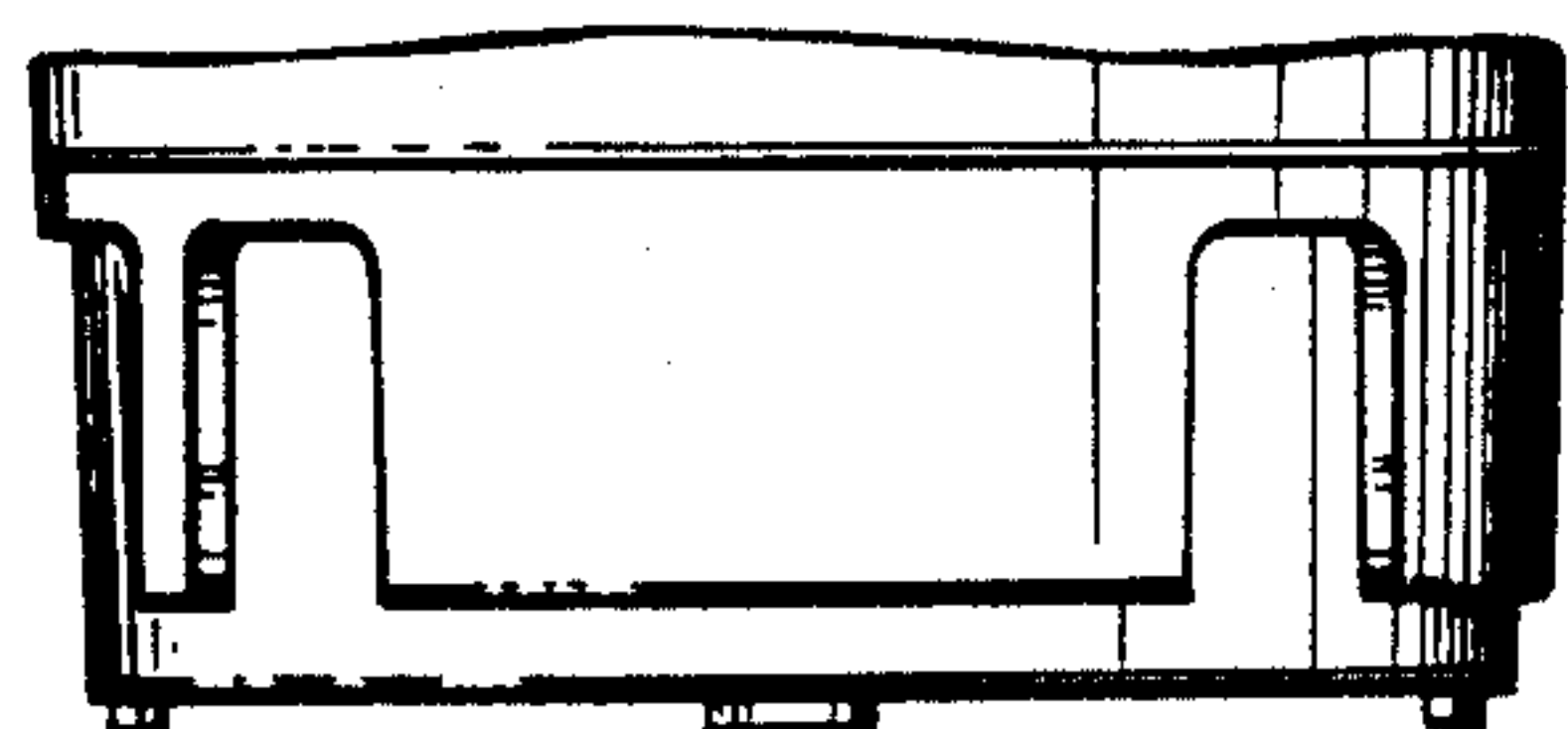


FIG. 6