

[54] TUMBLER

[76] Inventor: James A. Lindell, 710 Americana Dr., Annapolis, Md. 21493

[**] Term: 14 Years

[21] Appl. No.: 792,491

[22] Filed: Apr. 29, 1977

[51] Int. Cl. D7-01

[52] U.S. Cl. D7/9; D7/13

[58] Field of Search D7/6, 7, 8, 9, 10, 11, D7/12, 13, 14, 15

[56] References Cited

U.S. PATENT DOCUMENTS

D. 14,271	9/1883	Osthoff	D7/9
D. 124,555	1/1941	Platt	D7/13 X
D. 129,496	9/1941	Tajaque	D7/8
D. 230,003	1/1974	Levin	D7/13
3,733,071	5/1973	Levin	D7/13 X

OTHER PUBLICATIONS

Home Furnishings Daily, Mon., Jan. 19, 1959, p. 114, Item #9, bottom, second in from left.

Monongah Glass Co., Apr. 1, 1920, Cat. No. 6, p. 95, No. 14055, pressed stemware, bottom left.

Primary Examiner—Winifred E. Herrmann

Attorney, Agent, or Firm—Roger B. McCormick

[57] CLAIM

The ornamental design for a tumbler, as shown and described.

DESCRIPTION

FIG. 1 is a perspective view of a tumbler showing my new design;

FIG. 2 is a side elevational view thereof, the side opposite being a mirror image;

FIG. 3 is a front elevational view thereof;

FIG. 4 is a rear elevational view thereof;

FIG. 5 is a top plan view thereof; and

FIG. 6 is a bottom plan view thereof.

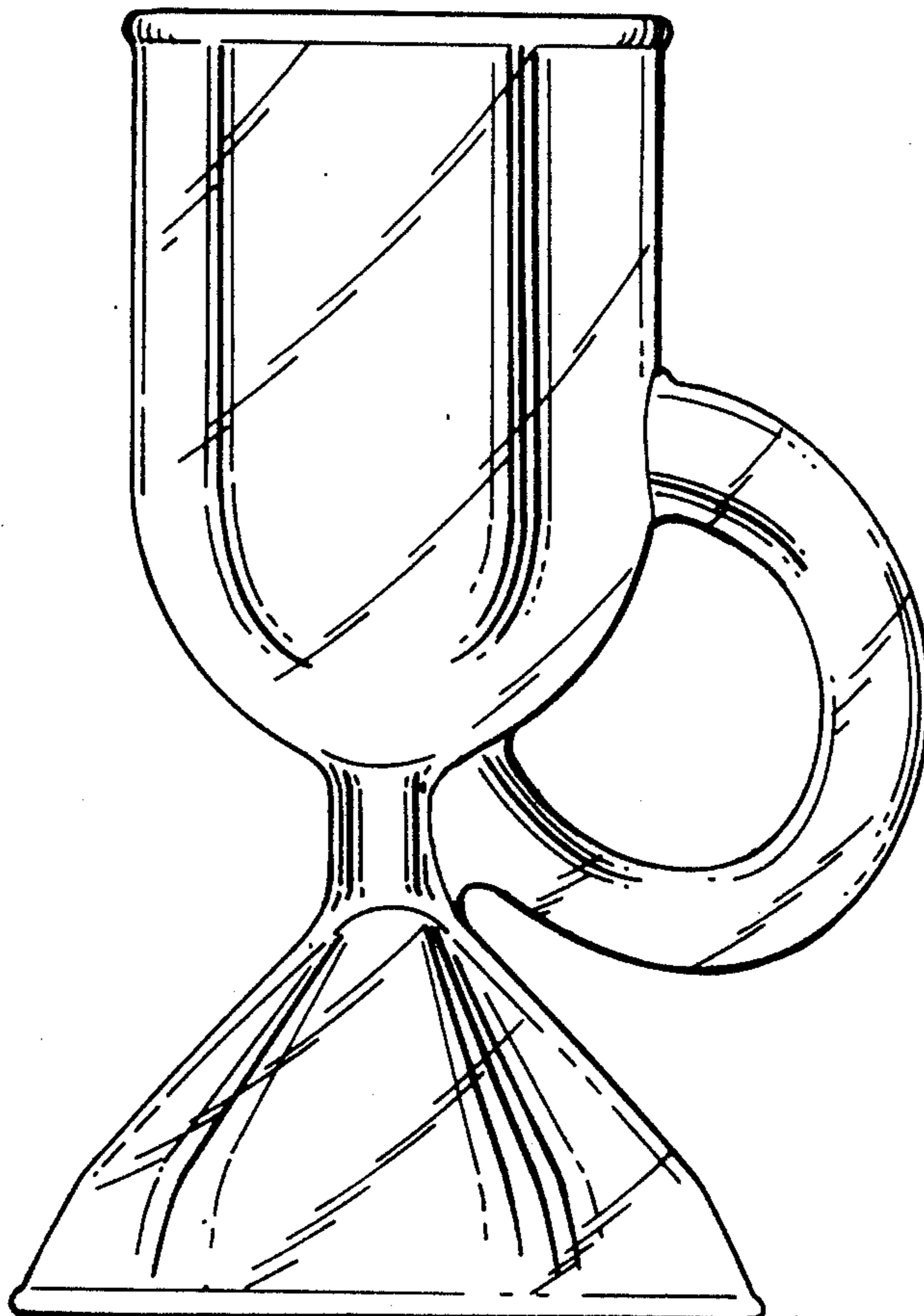


FIG. 1

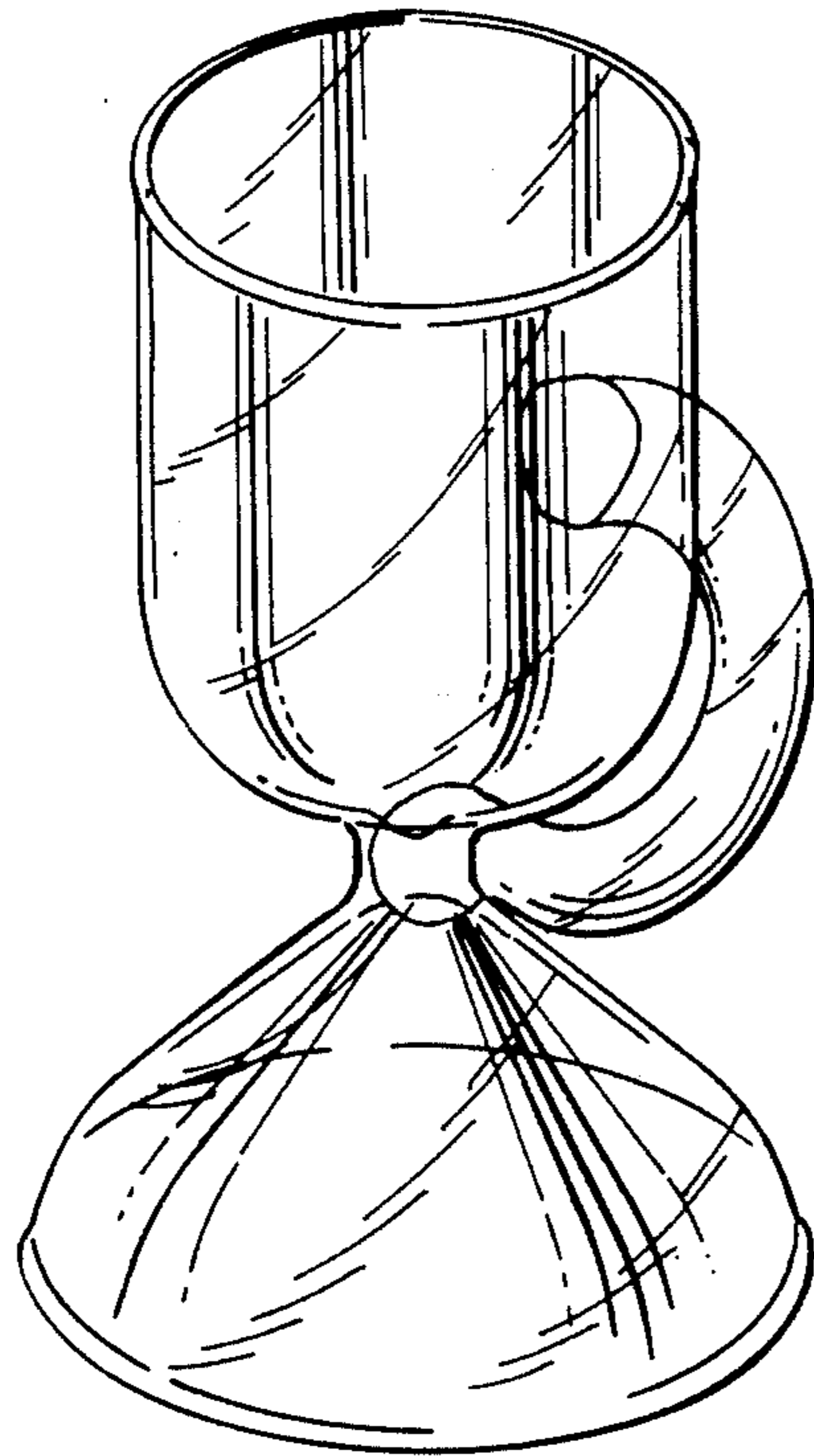


FIG. 5

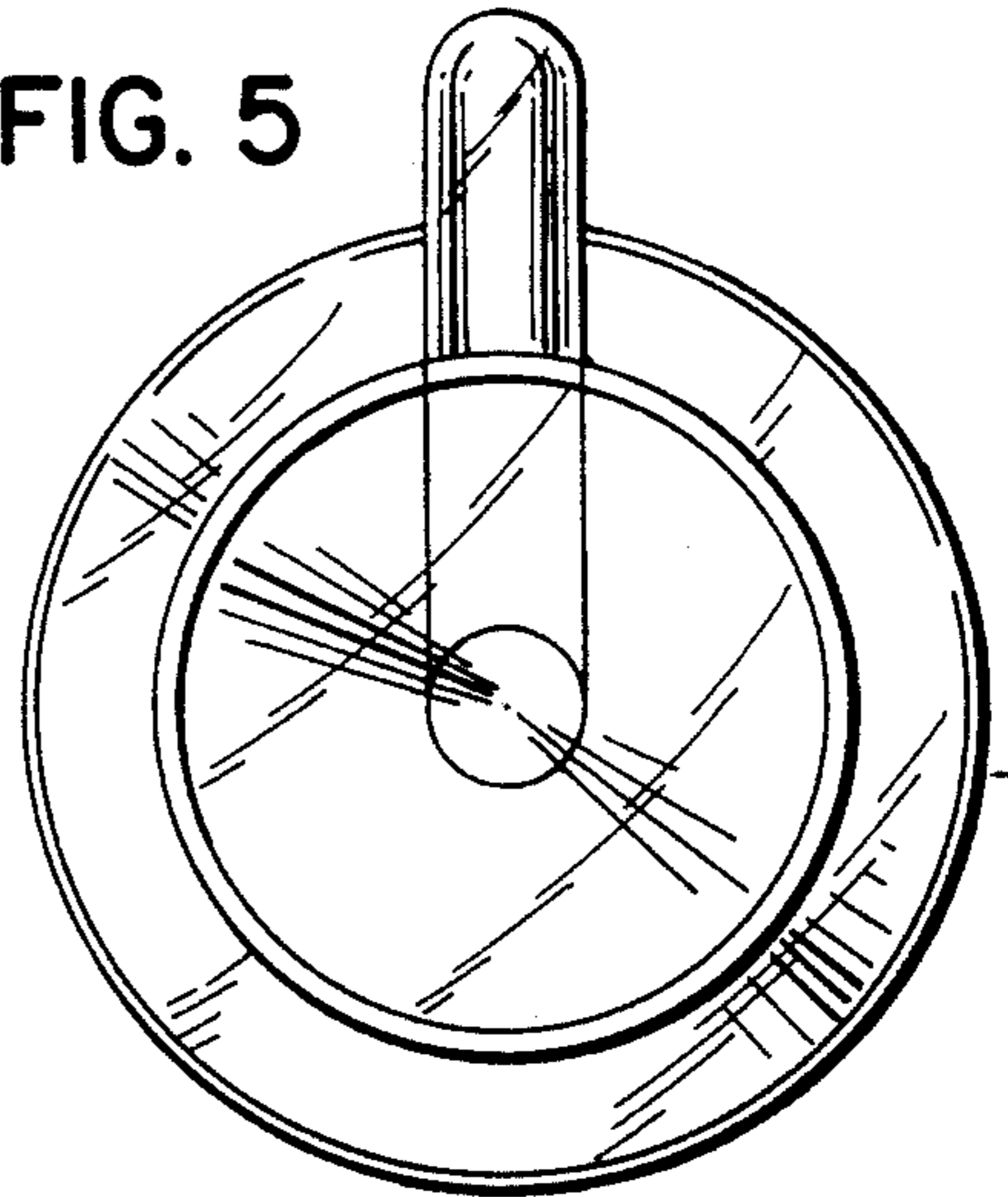


FIG. 2

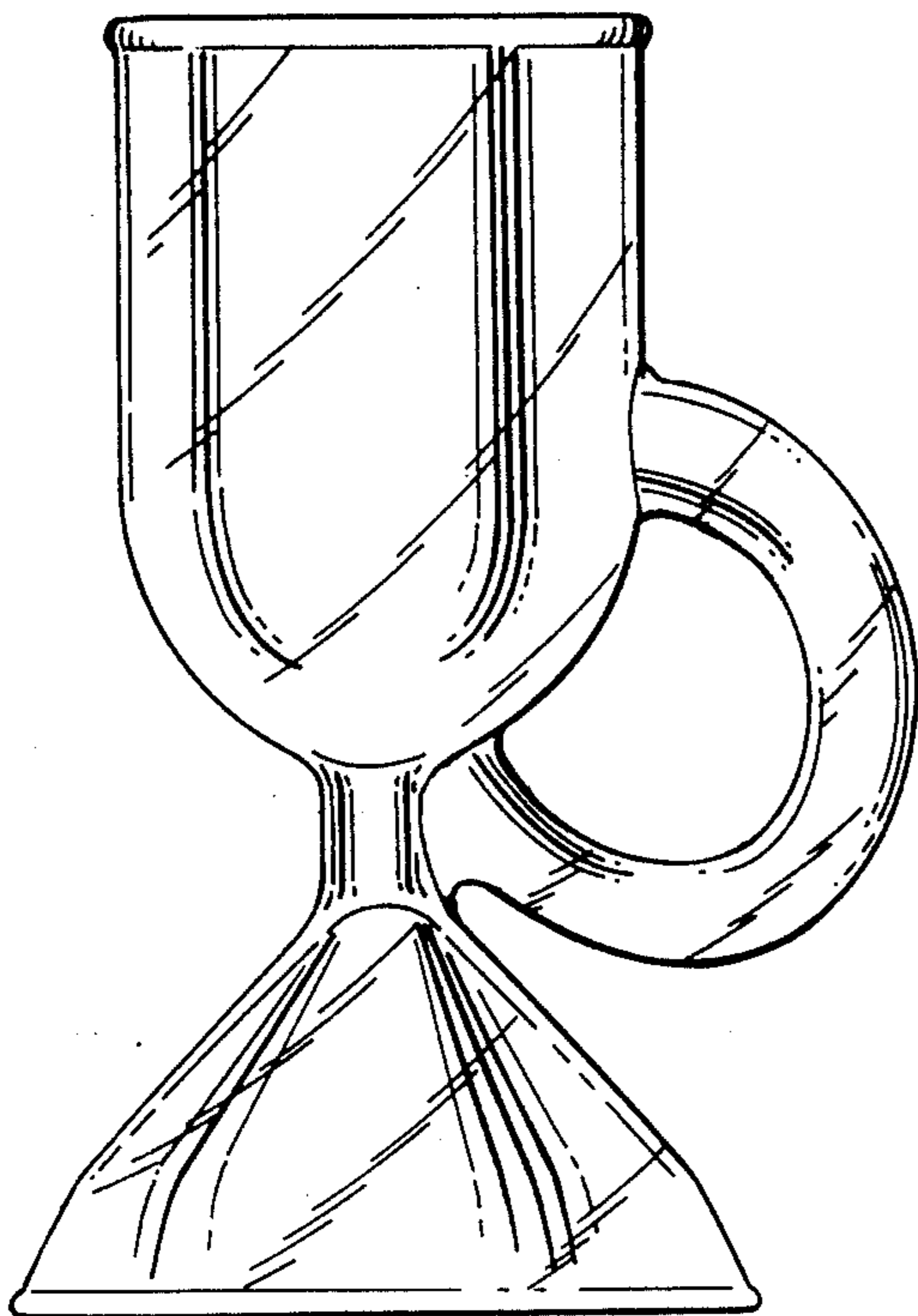


FIG. 3

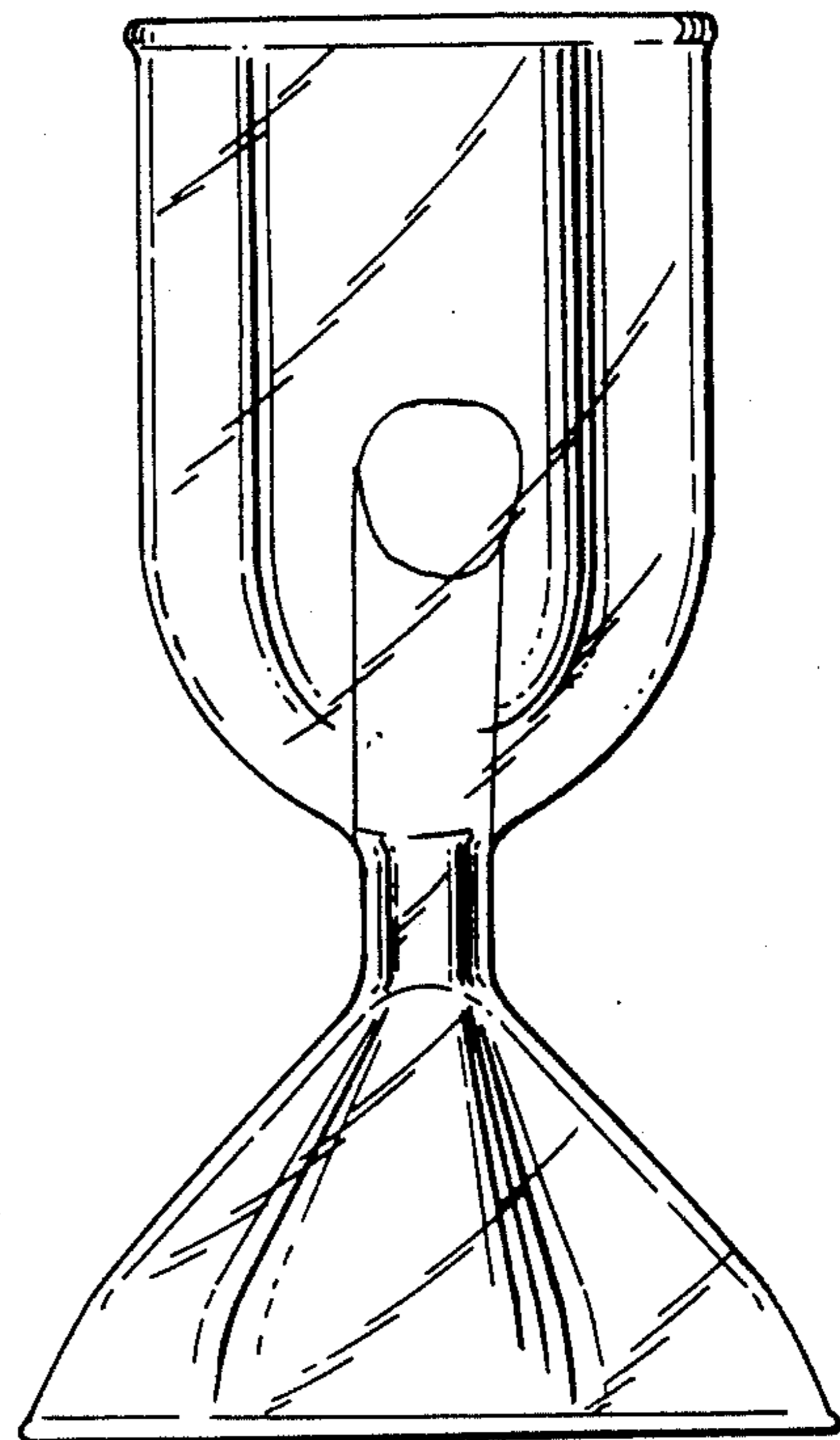


FIG. 4

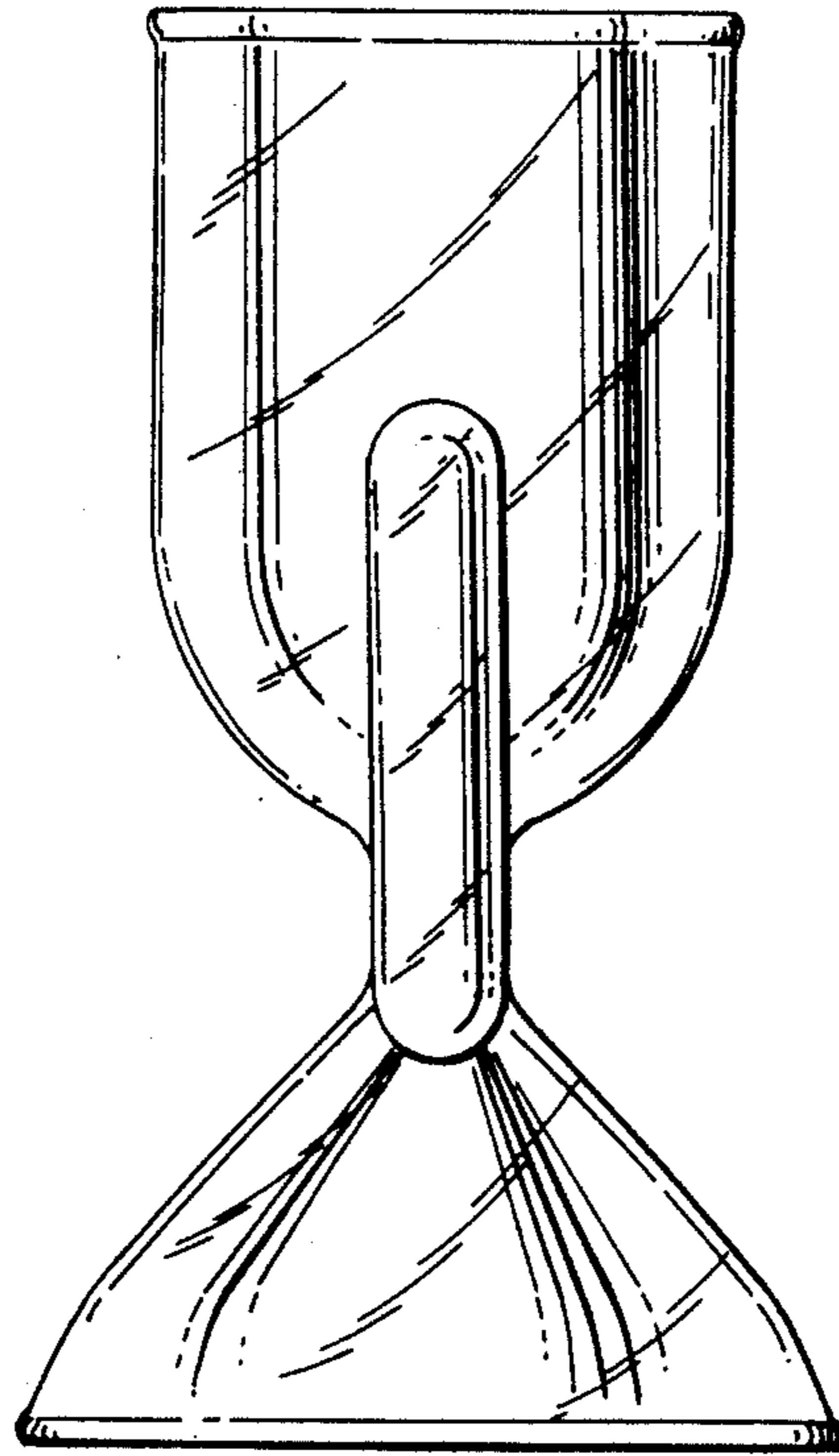


FIG. 6

