

[54] TABLE

[75] Inventors: Sandra R. Verdesca; Joseph T. Verdesca, both of Dallas, Tex.

[73] Assignee: Computer Roomers, Dallas, Tex.

[**] Term: 14 Years

[21] Appl. No.: 732,453

[22] Filed: Oct. 14, 1976

[51] Int. Cl. D6-03

[52] U.S. Cl. D6/177; D6/161

[58] Field of Search D6/146, 147, 149, 175, D6/177, 178, 179, 181, 186, 161, 156

[56] References Cited

U.S. PATENT DOCUMENTS

D. 213,883	4/1969	Canfield	D6/181
D. 225,806	1/1973	Torrey	D6/179
D. 225,809	1/1973	Torrey	D6/181
D. 236,787	9/1975	Stirling	D6/179 X

D. 239,585	4/1976	Mahan	D6/181
D. 241,214	8/1976	Szucs	D6/179

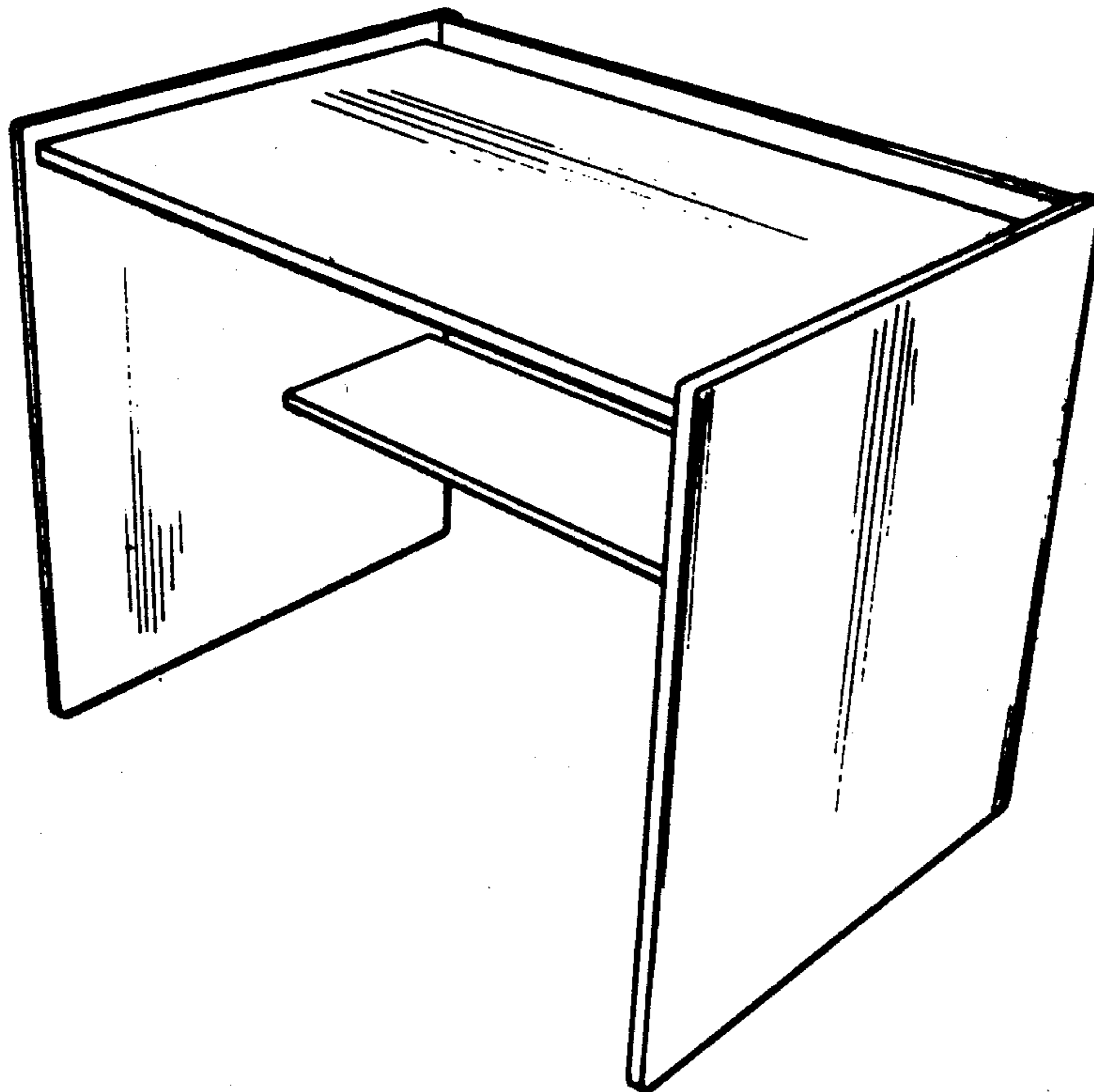
Primary Examiner—Bruce W. Dunkins
Attorney, Agent, or Firm—D. Carl Richards

[57] CLAIM

The ornamental design for a table, as shown and described.

DESCRIPTION

FIG. 1 is a perspective view of my table design; FIG. 2 is a perspective view of the rear of my design; FIG. 3 is a top view of my design; FIG. 4 is an elevational side view of my design; FIG. 5 is an elevational front view of my design; FIG. 6 is a sectional view taken along the section lines 6—6 in FIG. 5; FIG. 7 is an elevational rear view of my design; and FIG. 8 is a bottom view of my design. The side of the table not shown is identical to the side shown in FIGS. 1, 2 and 4.



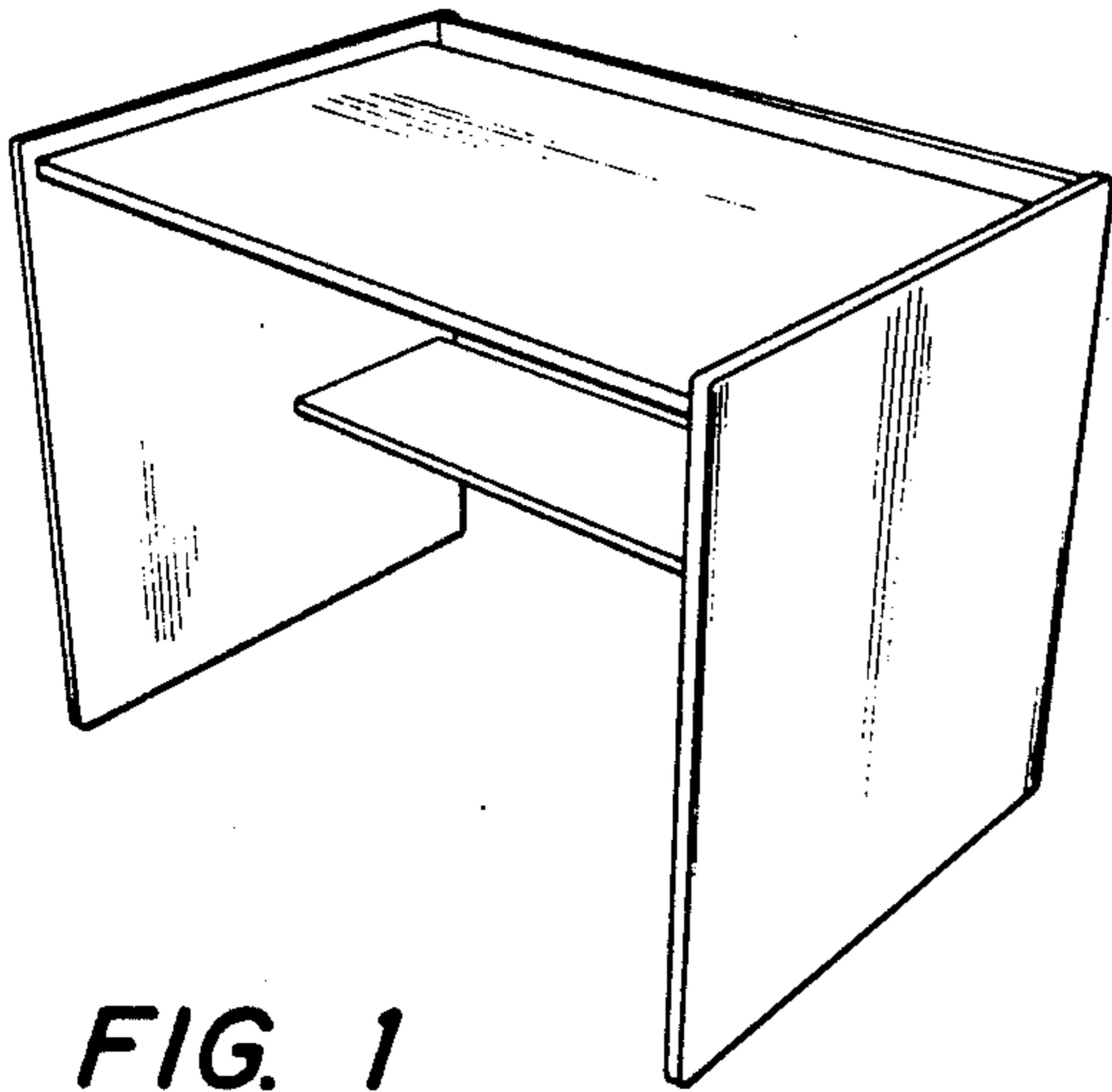


FIG. 1

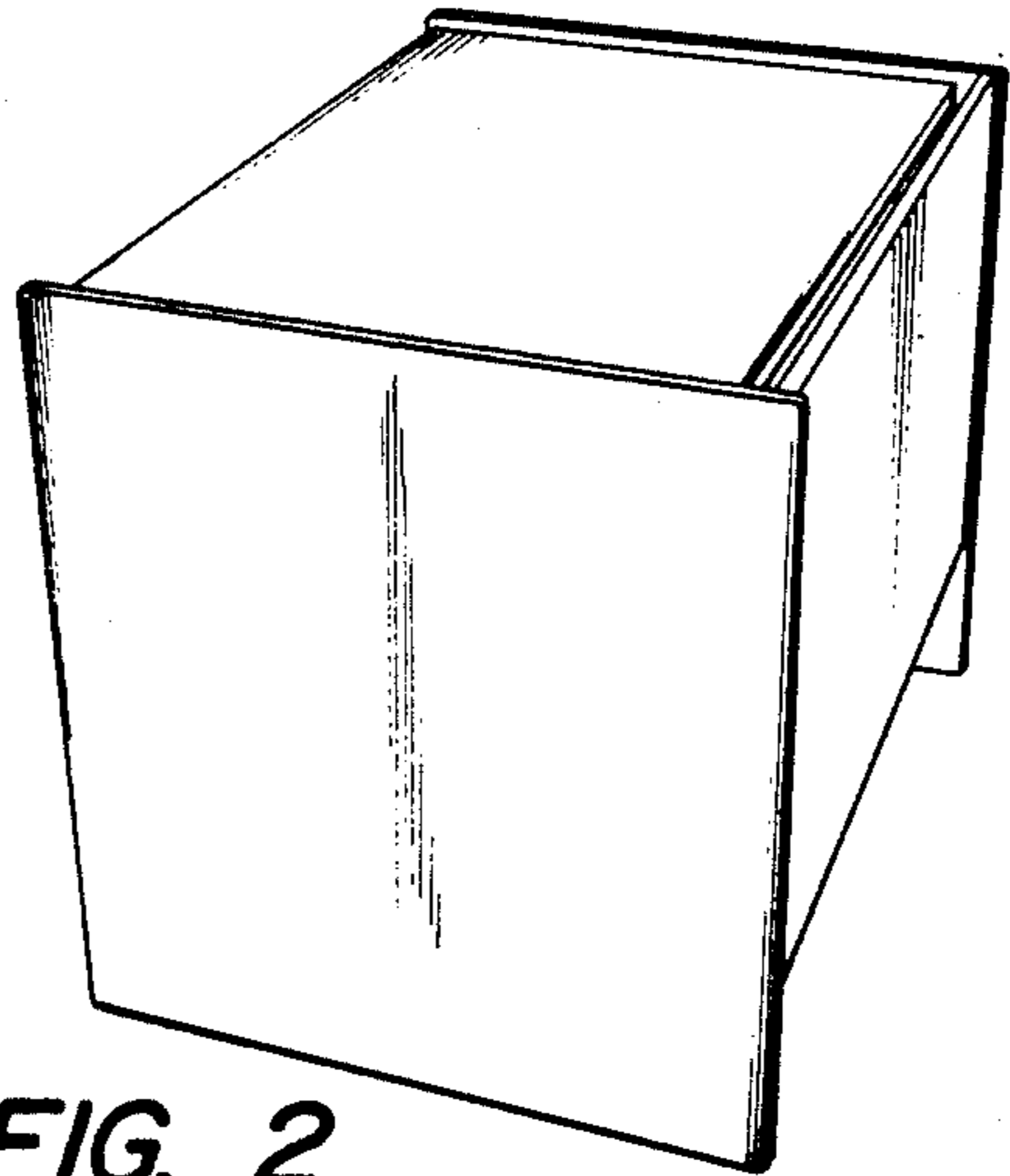


FIG. 2

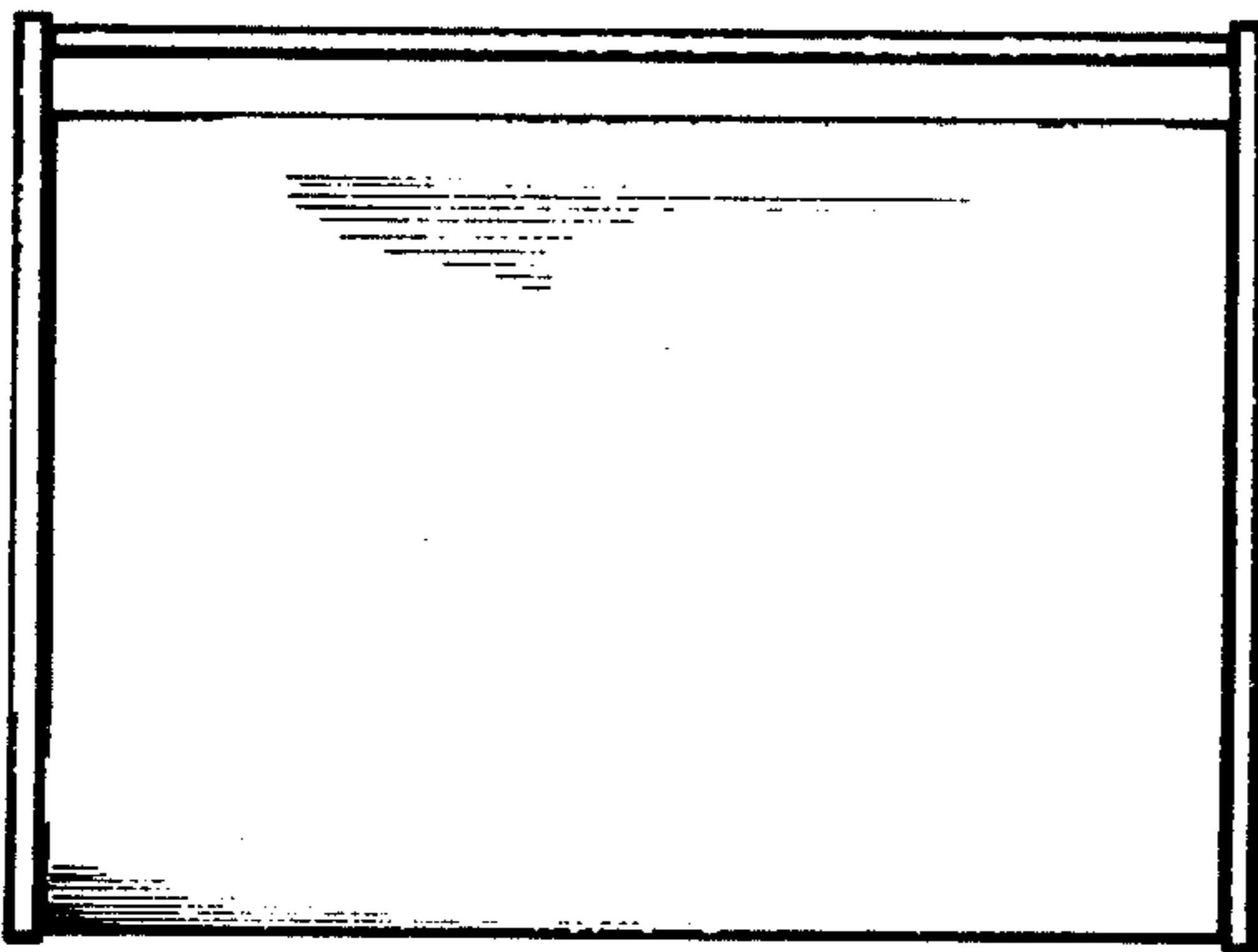


FIG. 3

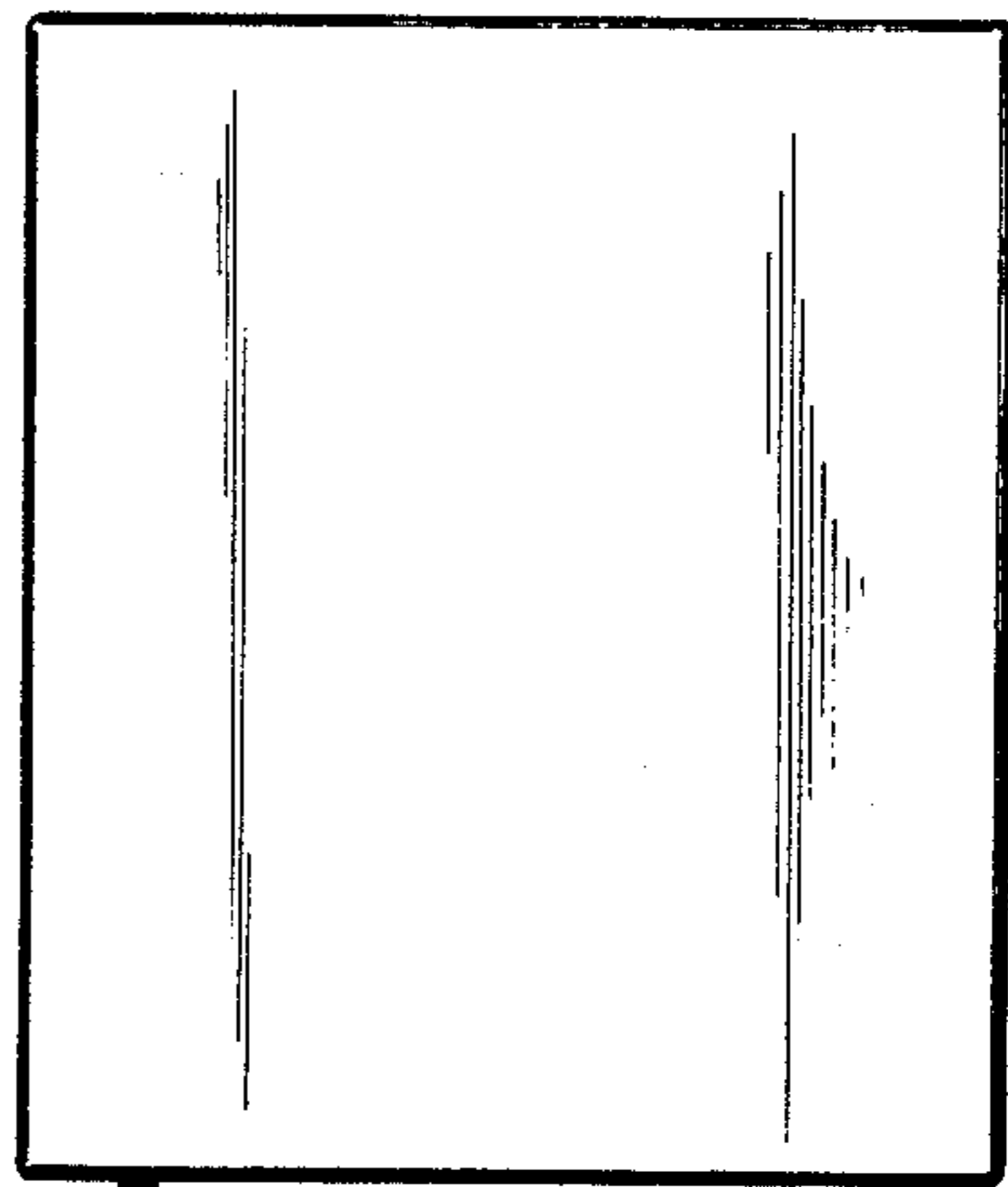


FIG. 4

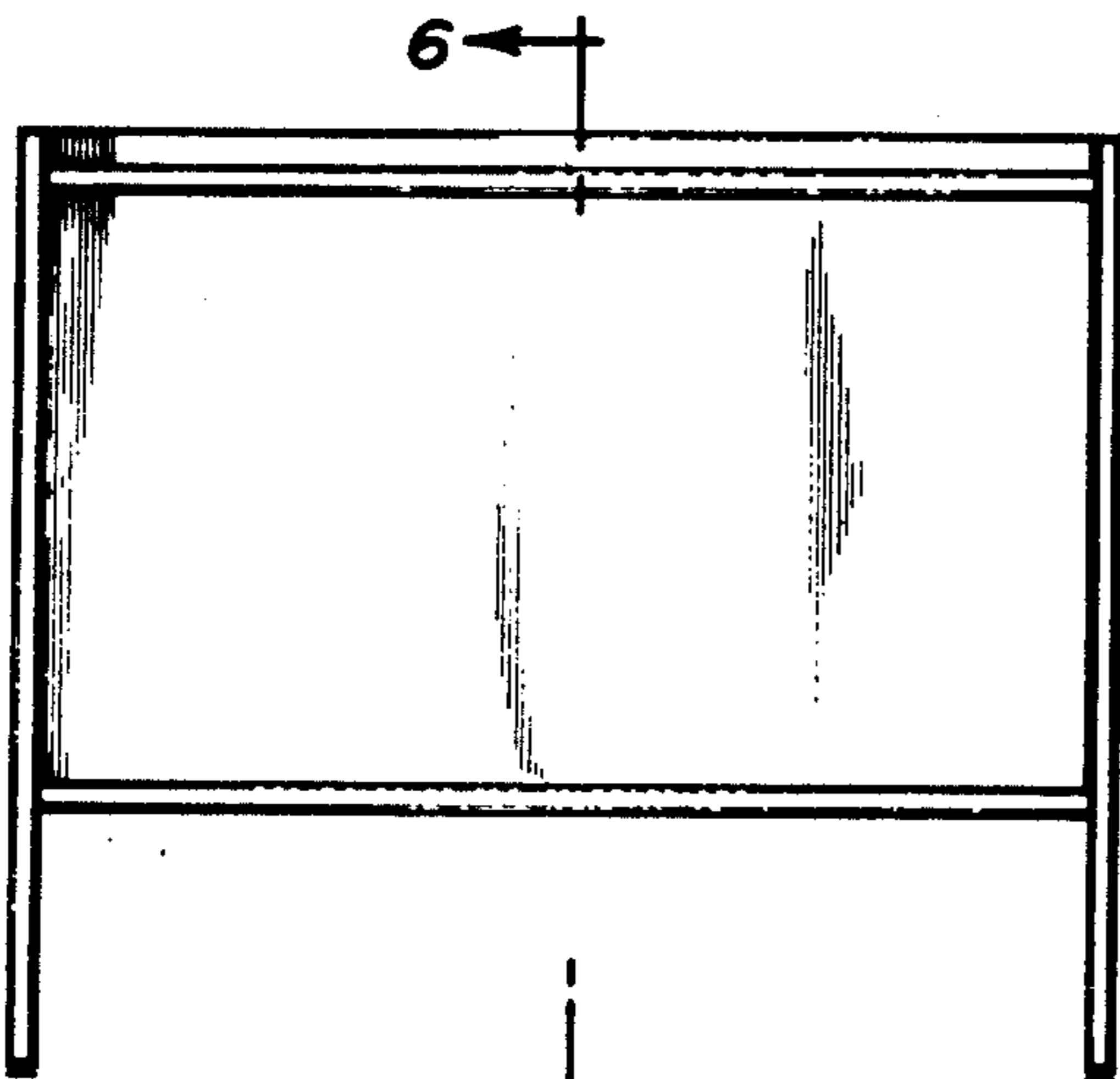


FIG. 5

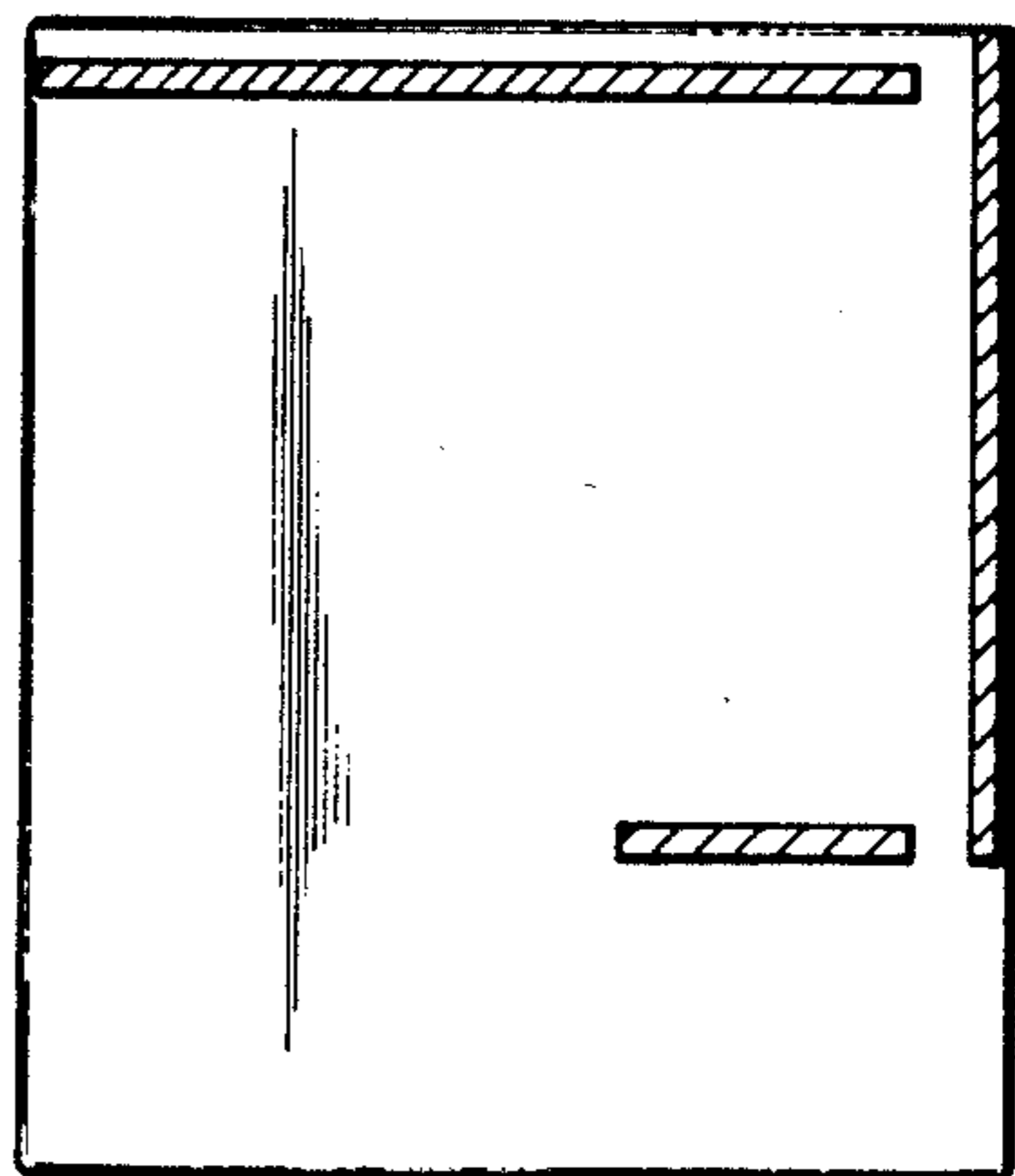


FIG. 6

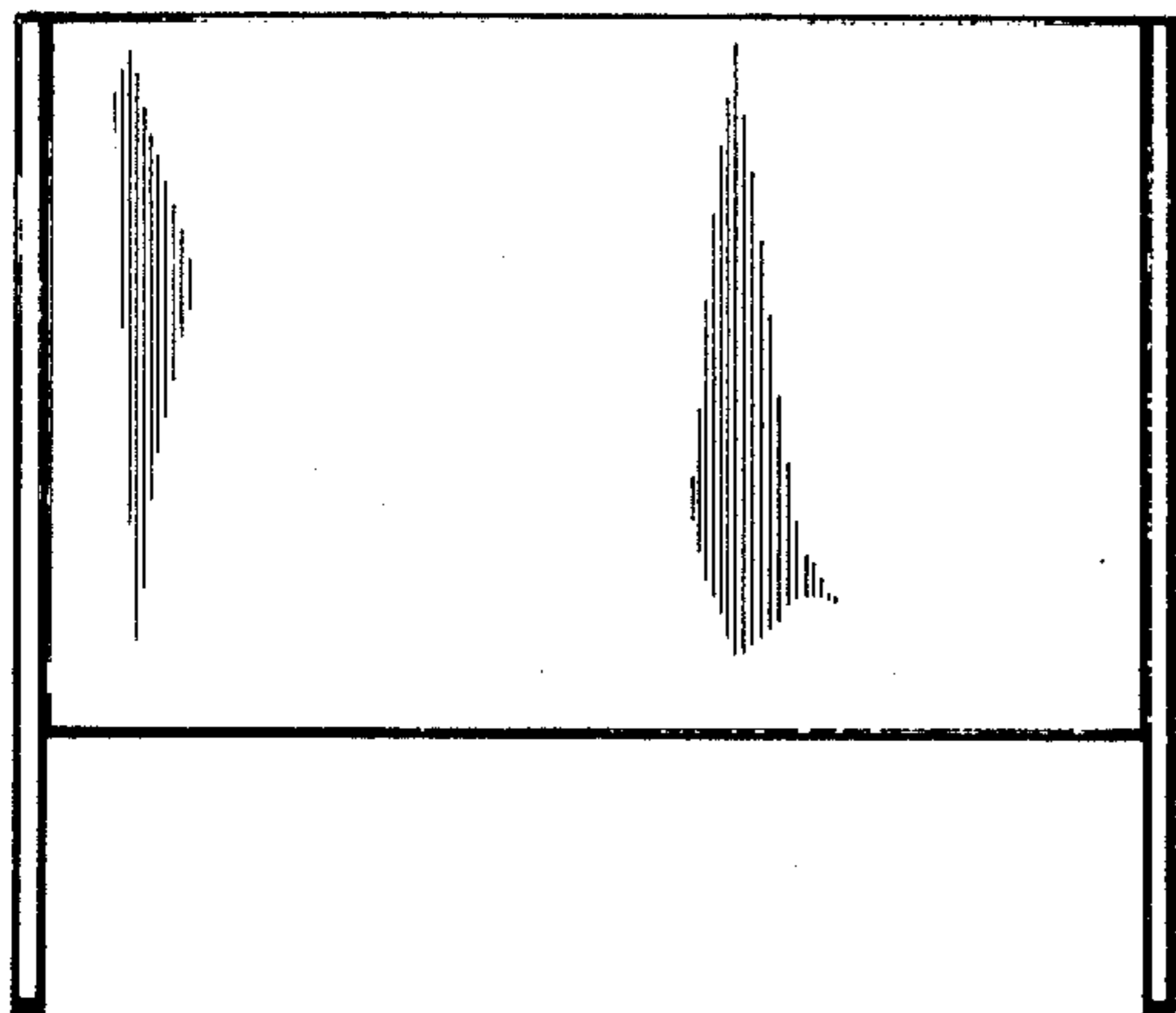


FIG. 7

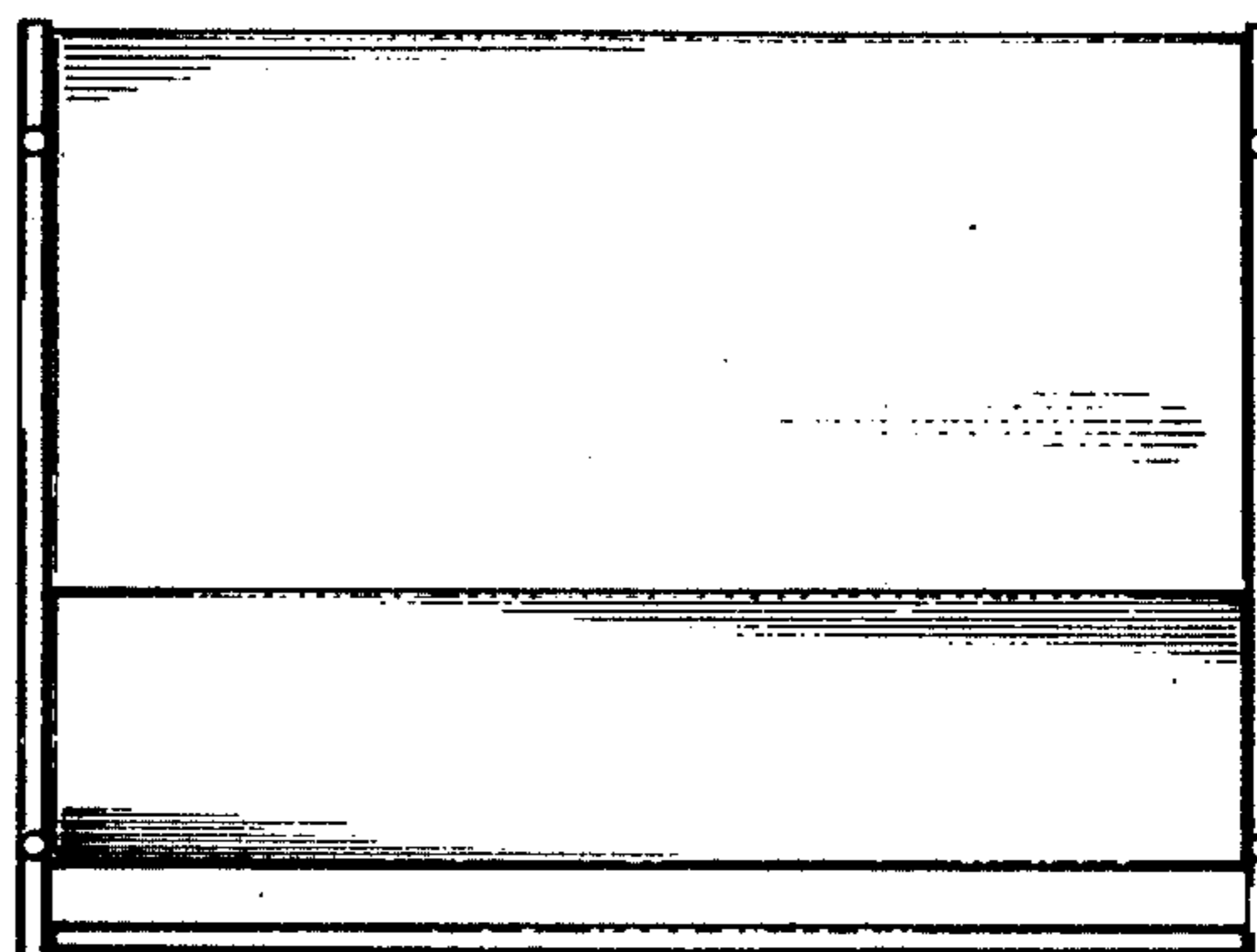


FIG. 8