

[54] **HANGING SUPPORT FOR FLOWER POT**

[75] **Inventor:** Maurice V. Schoenbrun, San Jose, Calif.

[73] **Assignee:** Earth Fair, Inc., San Jose, Calif.

[**] **Term:** 14 Years

[21] **Appl. No.:** 732,003

[22] **Filed:** Oct. 13, 1976

[51] **Int. Cl.** D6-06

[52] **U.S. Cl.** D6/113; D6/137

[58] **Field of Search** D6/20, 28, 85, 87, 93, D6/113, 134-137, 179, 182, 186; D11/143, 148, 149, 152, 155; 47/66, 67, 70, 72, 39; 211/74, 75, 113, 115, 117, 118; 248/317, 318, 339

[56] **References Cited**

U.S. PATENT DOCUMENTS

D. 240,383	7/1976	Connell	D6/113
1,484,403	2/1924	Miller	D11/143
3,867,788	2/1975	Mickelson	47/67

FOREIGN PATENT DOCUMENTS

276,906	2/1913	Fed. Rep. of Germany	47/67
4,647 of	1909	United Kingdom	47/67

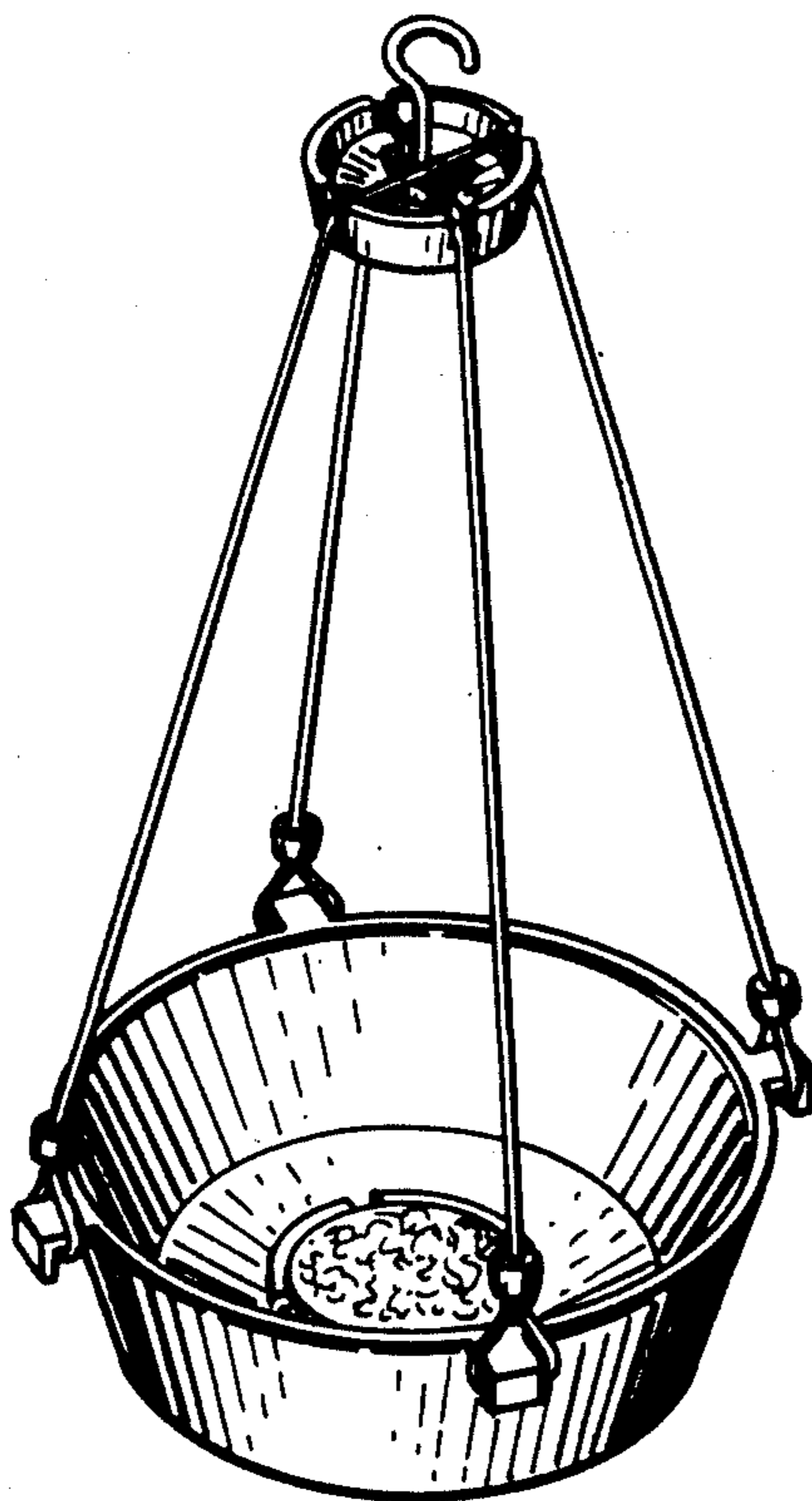
Primary Examiner—Wallace R. Burke
Assistant Examiner—B. J. Bullock
Attorney, Agent, or Firm—Thomas E. Schatzel

[57] **CLAIM**

The ornamental design for a hanging support for flower pot, substantially as shown and described.

DESCRIPTION

FIG. 1 is a reduced perspective view of a hanging support for flower pot showing my new design; FIG. 2 is a top plan view of the receptacle portion shown separately for ease of illustration; FIG. 3 is a side elevational view of FIG. 2 partially broken to show ball valve detail; FIG. 4 is a bottom plan view of FIG. 2; FIG. 5 is a top plan view of the bracket portion, again shown separately for ease of illustration; and FIG. 6 is a bottom plan view of FIG. 5.



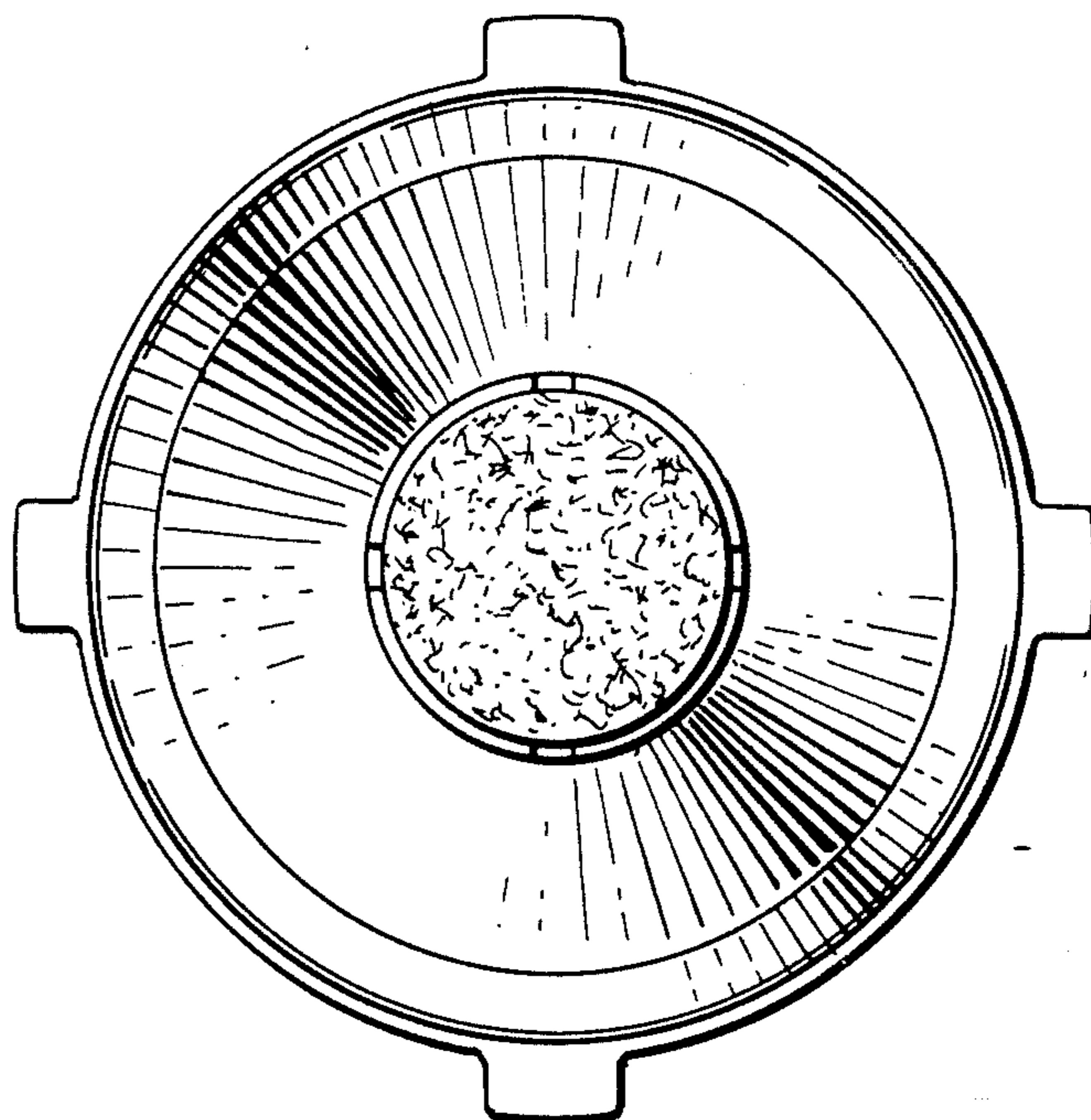
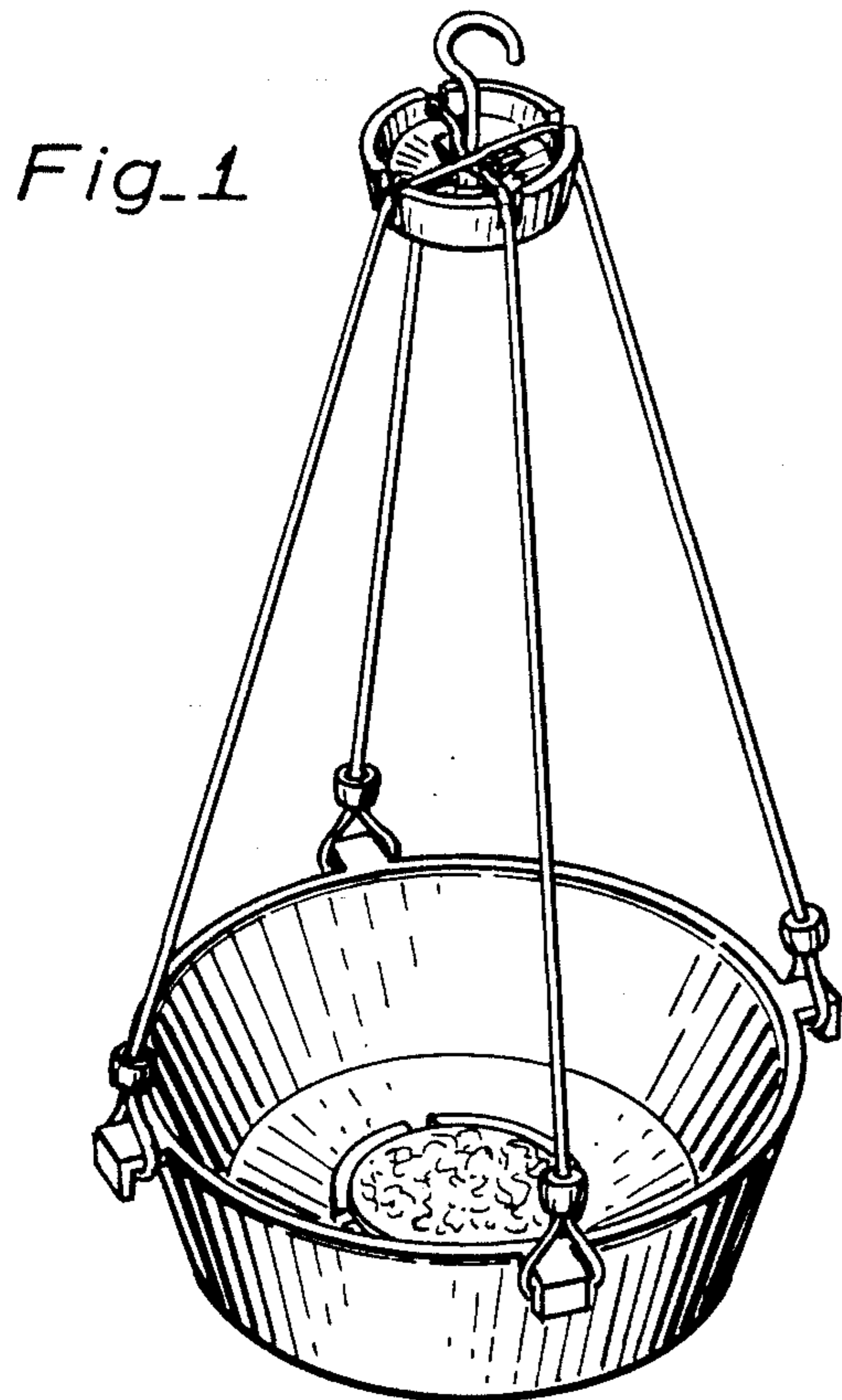


Fig. 2

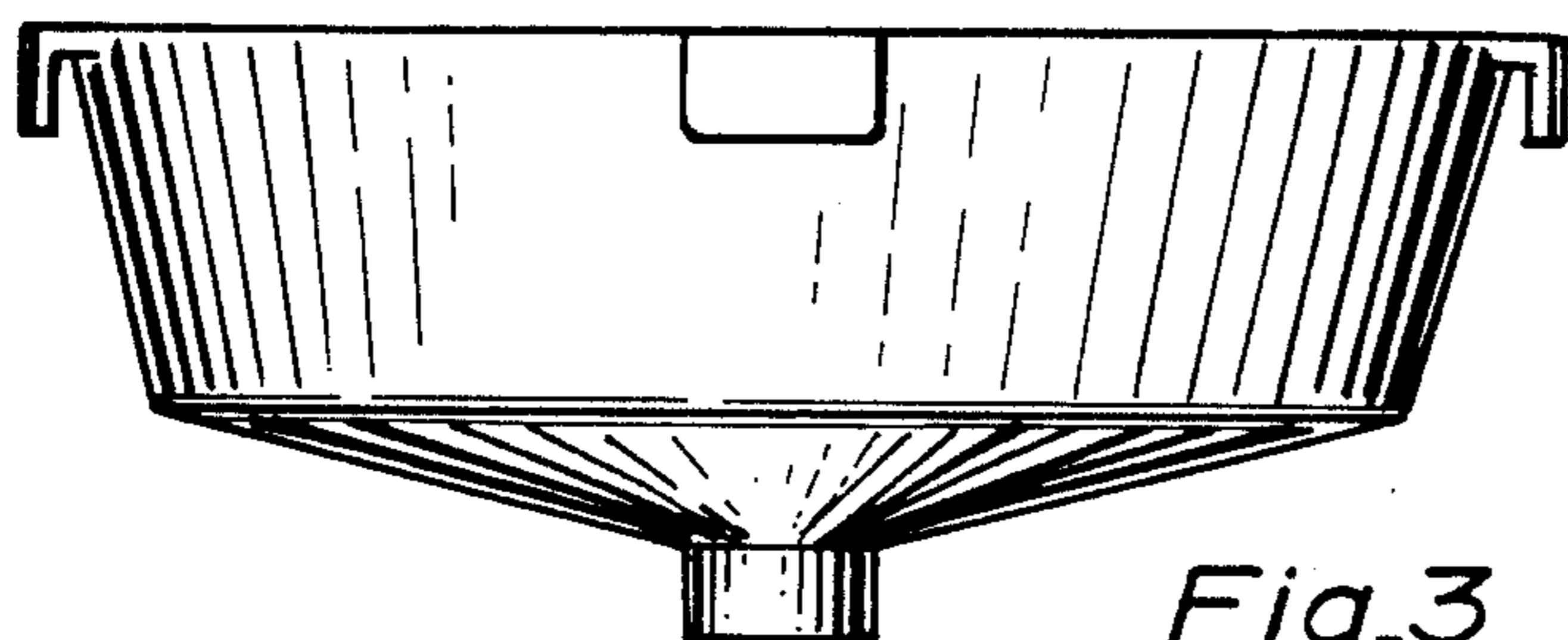


Fig. 3

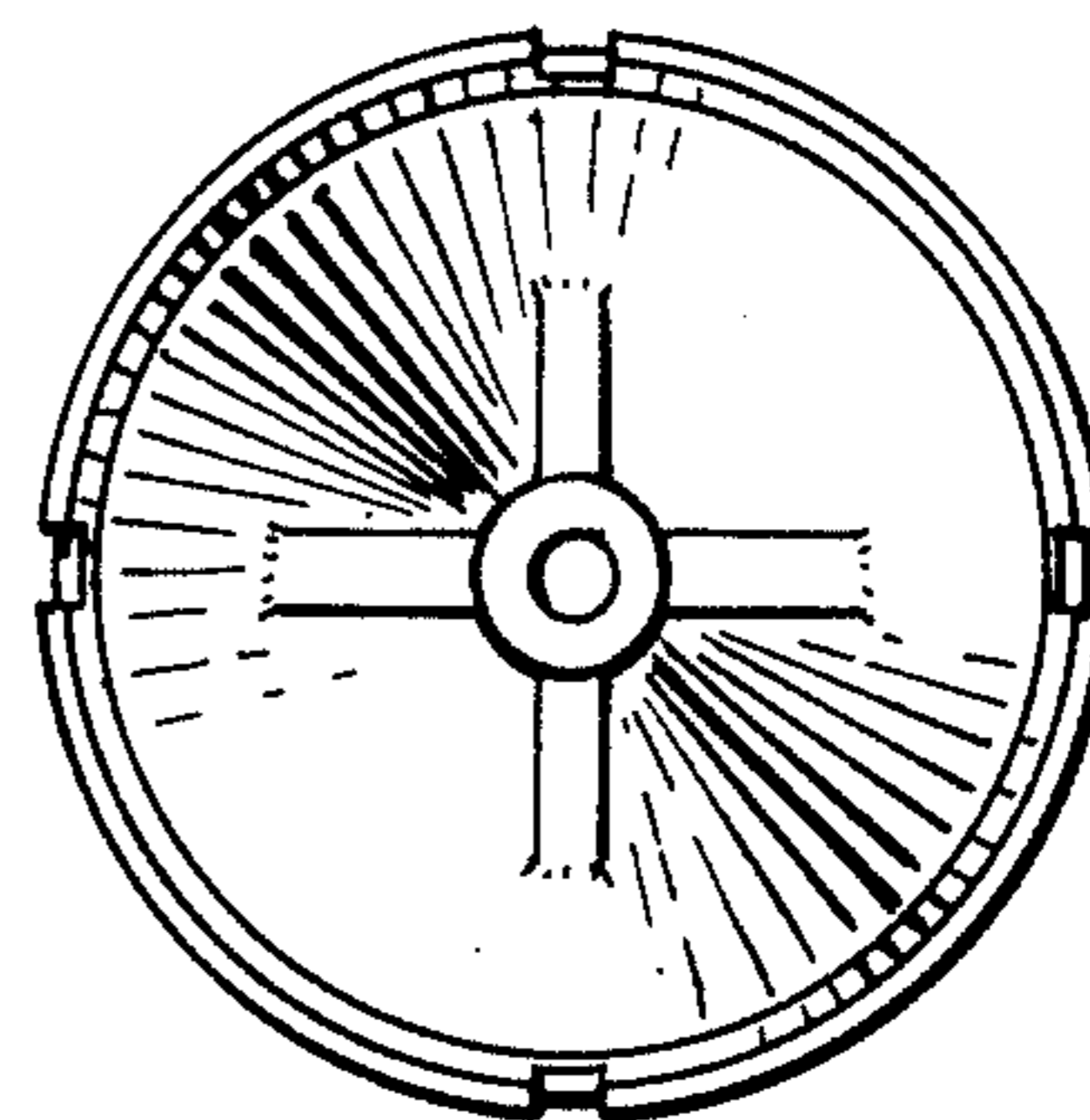


Fig. 5

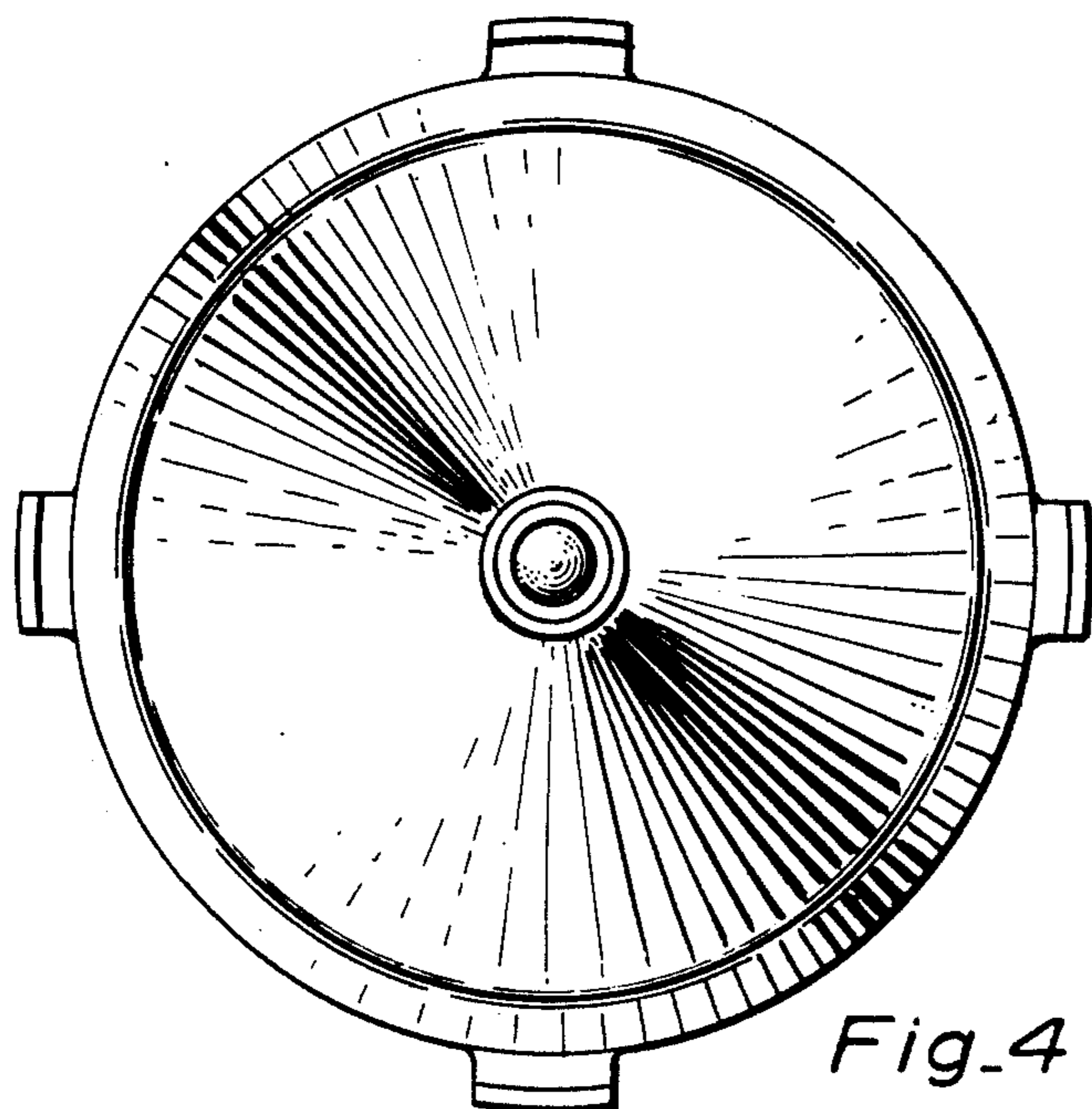


Fig. 4

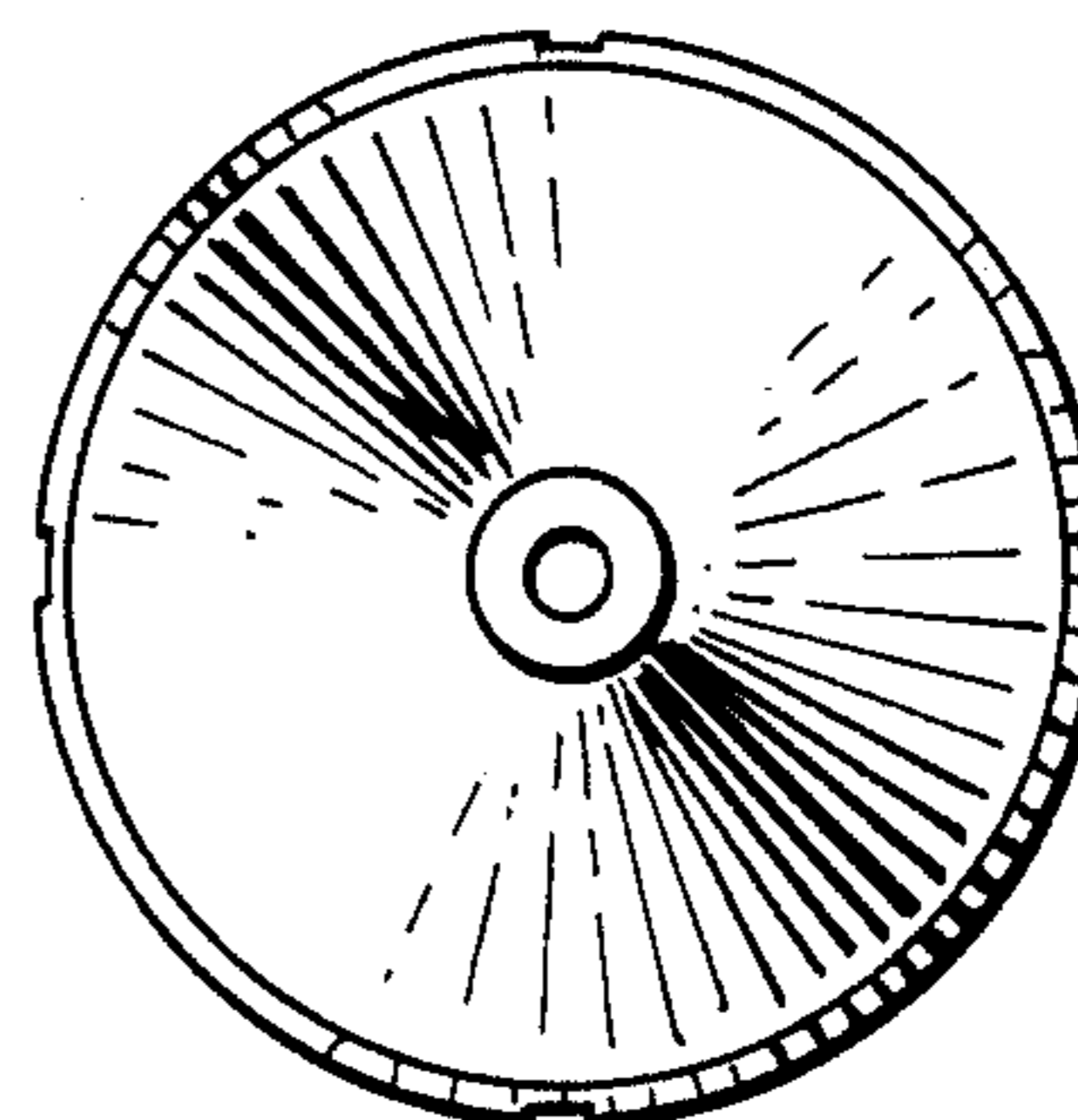


Fig. 6