

[54] CHAIR

[75] Inventors: Alfred J. Prizlow, Bloomfield Hills; Raymond A. Grosso, Troy, both of Mich.

[73] Assignee: GF Business Equipment, Inc., Youngstown, Ohio

[**] Term: 14 Years

[21] Appl. No.: 775,650

[22] Filed: Mar. 8, 1977

[51] Int. Cl. D6-01
[52] U.S. Cl. D6/31
[58] Field of Search D6/20, 26, 29, 30, 31, D6/47, 78; 297/325, 344, 345

[56]

References Cited

U.S. PATENT DOCUMENTS

D. 234,383	2/1975	Tacke	D6/31
D. 236,173	8/1975	Ruf	D6/30
D. 240,375	7/1976	Buhk	D6/30
D. 241,389	9/1976	Ball	D6/31

OTHER PUBLICATIONS

Interiors, 9-1976, p. 132, Seat at left in Lounge Group by Howell.

Primary Examiner—Bruce W. Dunkins
Attorney, Agent, or Firm—Emory L. Groff, Jr.

[57]

CLAIM

The ornamental design for a chair, substantially as shown.

DESCRIPTION

FIG. 1 is a perspective view of the chair embodying our new design;
FIG. 2 is a front elevation thereof;
FIG. 3 is a side elevation thereof;
FIG. 4 is a rear elevation thereof.

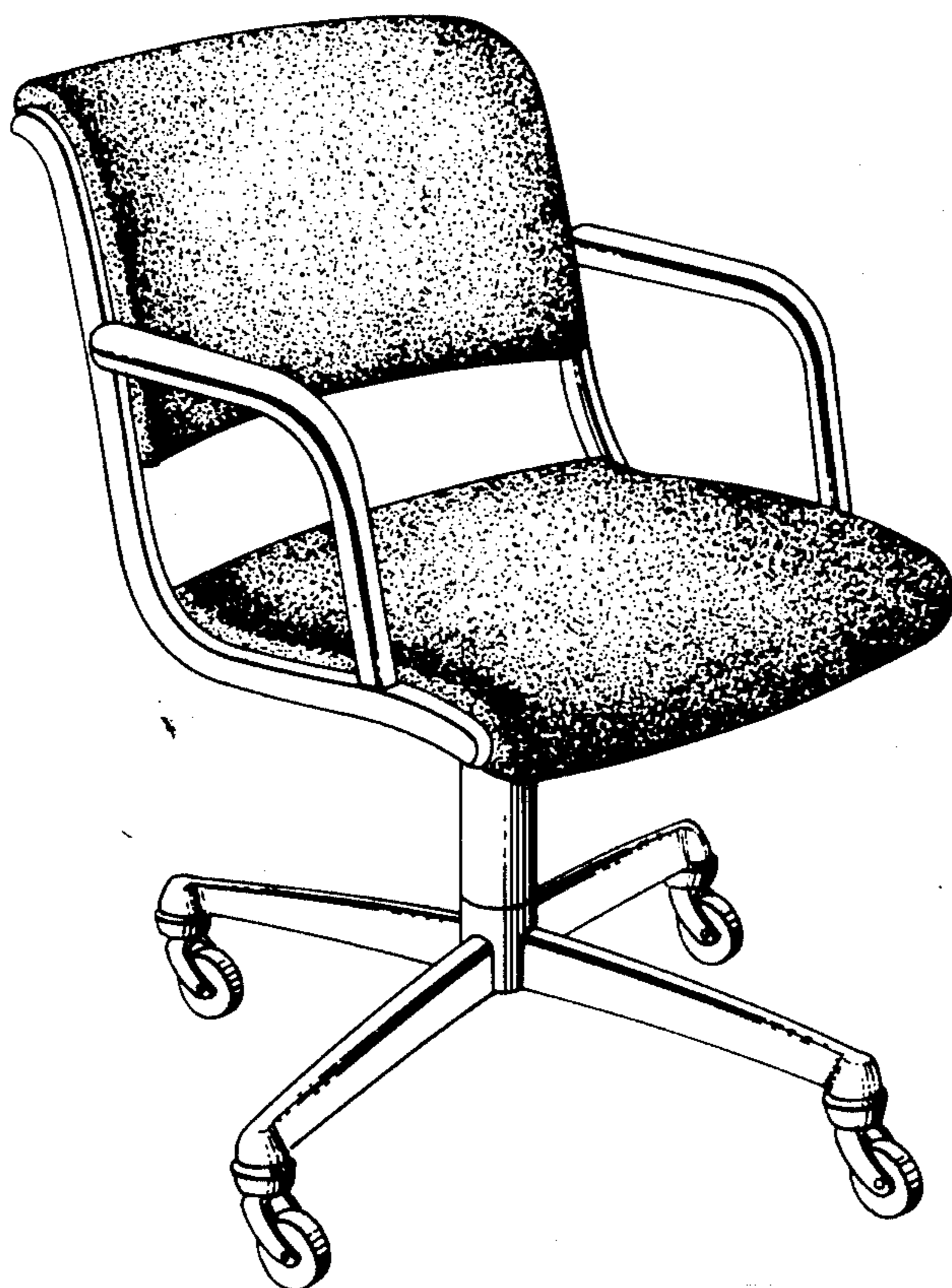


FIG. 2.

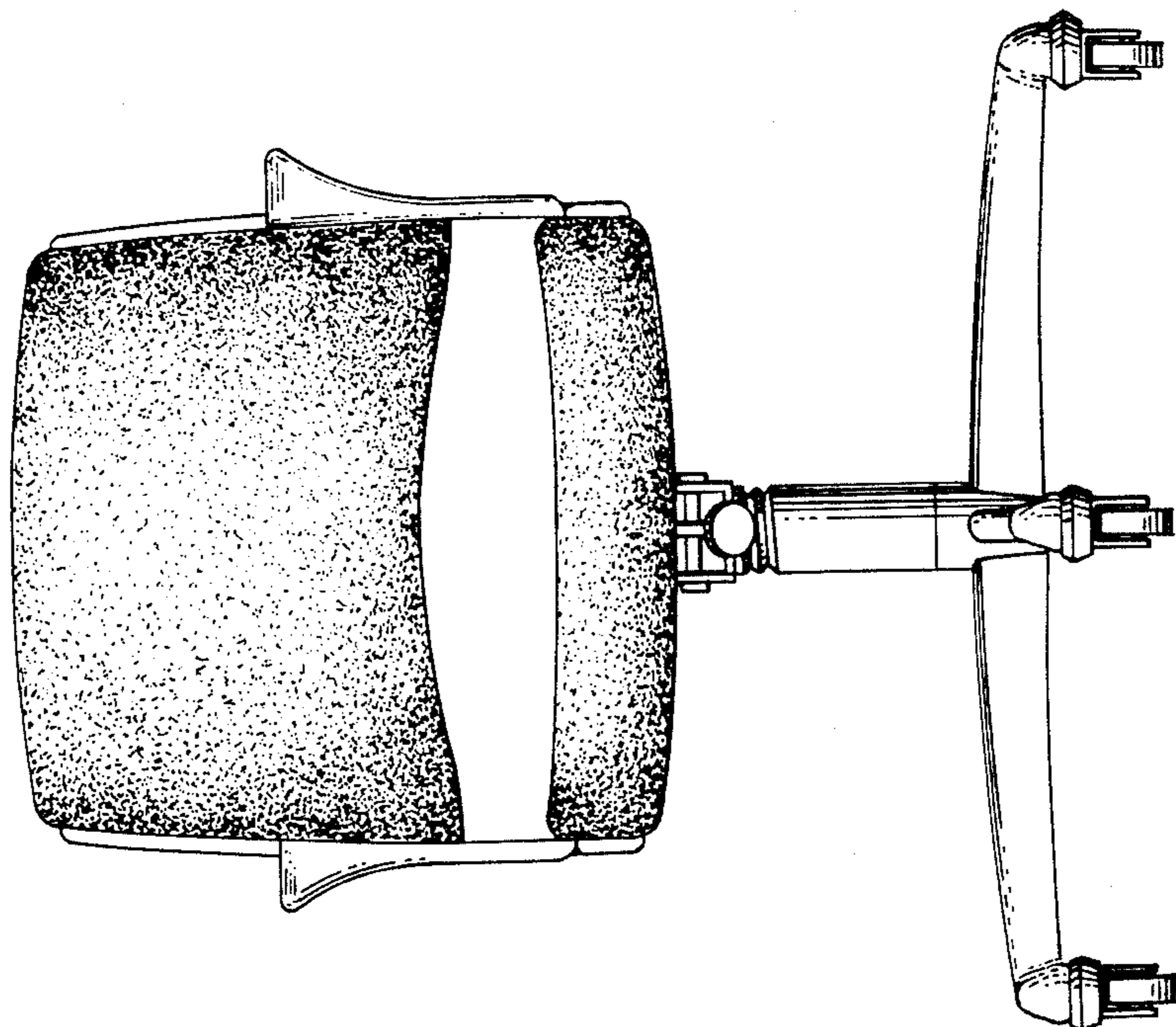


FIG. 1.

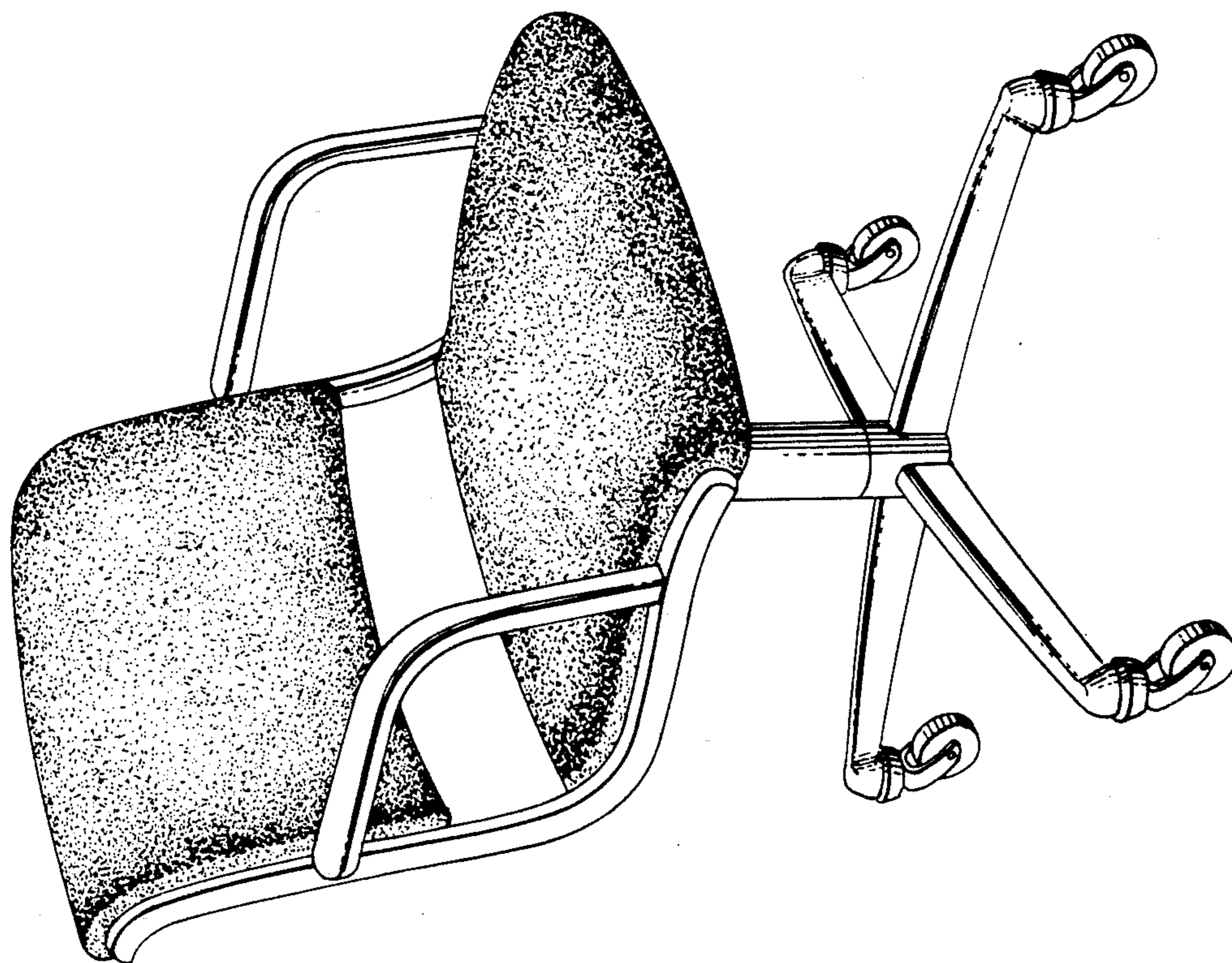


FIG. 4.

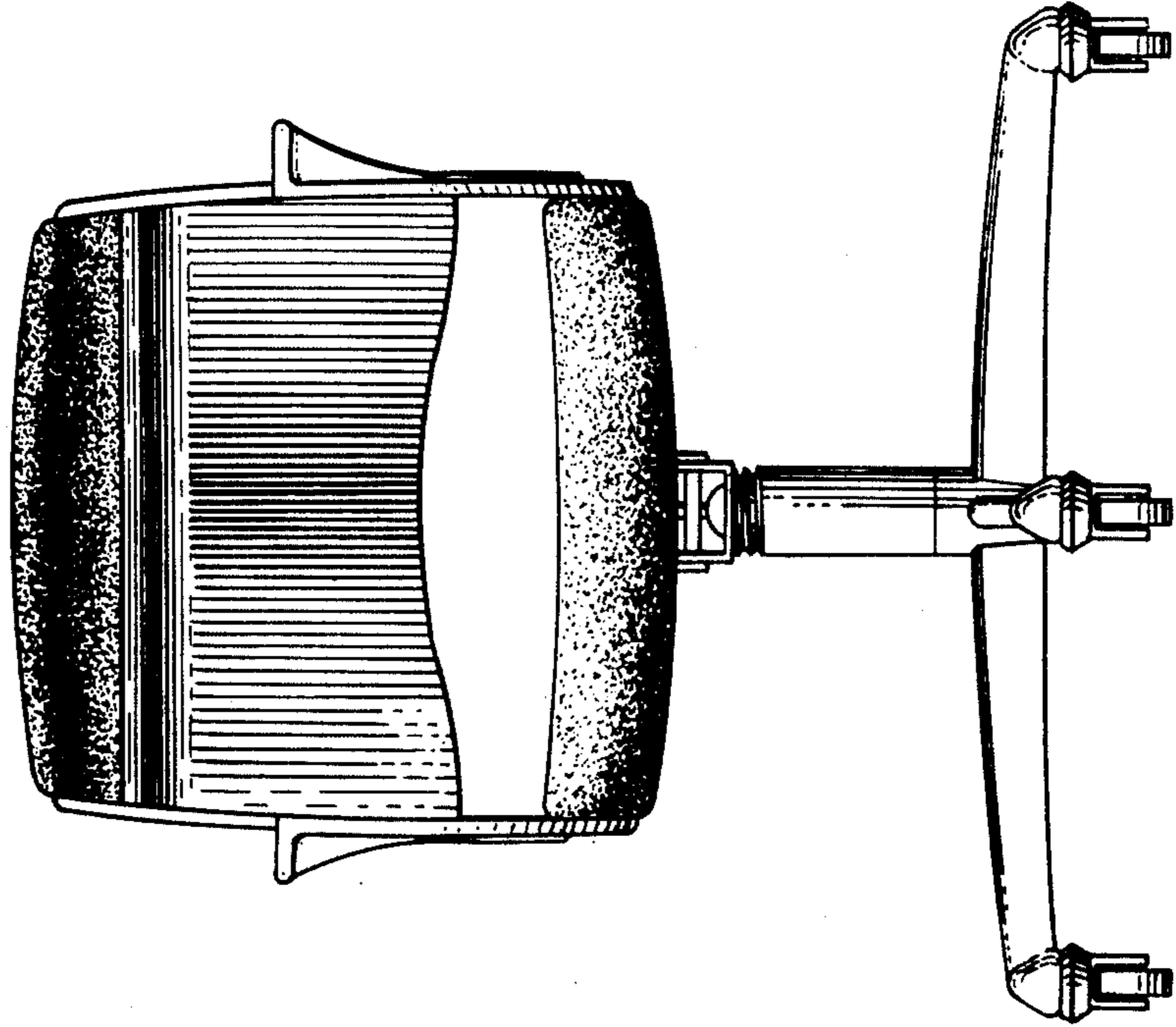


FIG. 3.

