

[54] COMBINED FIRE EXTINGUISHER AND BRACKET THEREFOR

[75] Inventor: Richard H. Avant, Churchville, N.Y.

[73] Assignee: Bernzomatic Corporation, Rochester, N.Y.

[\*\*] Term: 14 Years

[21] Appl. No.: 737,883

[22] Filed: Nov. 1, 1976

[51] Int. Cl. .... D29-01

[52] U.S. Cl. .... D29/2

[58] Field of Search ..... 169/30, 71, 72, 73, 169/75, 76, 77, 78, 89; D29/2, 5

[56] References Cited

U.S. PATENT DOCUMENTS

D. 244,392	5/1977	Montambo .....	D29/2
D. 245,929	9/1977	Montambo .....	D29/5
1,794,451	3/1931	Dyson .....	169/30
3,713,493	1/1973	Hansen .....	169/75
4,019,584	4/1977	Allmendinger .....	169/74

OTHER PUBLICATIONS

Kidde Portable Extinguisher, Brochure P-117-R9, May 1975, Dry Chemical Unit, 3 1/4 lb.

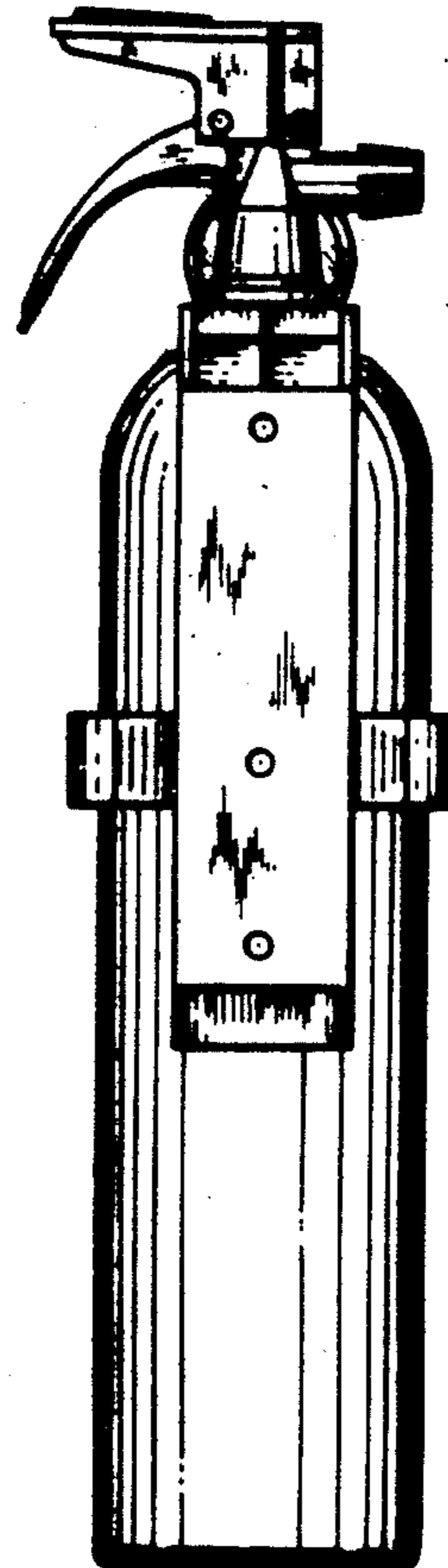
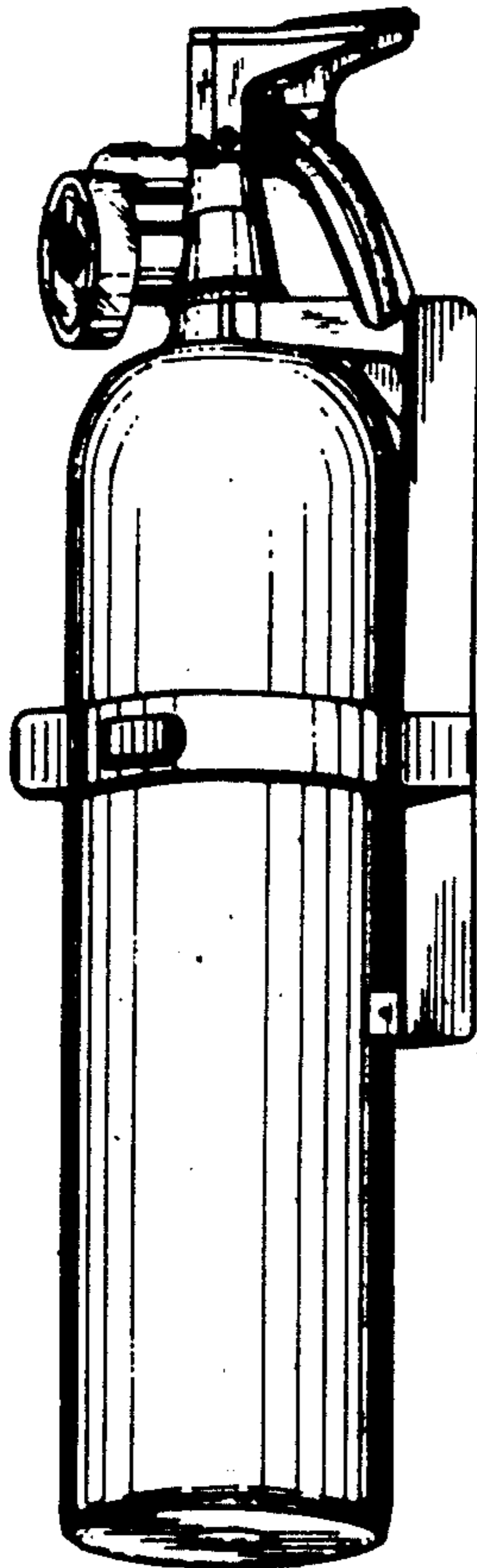
Primary Examiner—Bernard Ansher  
Attorney, Agent, or Firm—Arnold Sprung

[57] CLAIM

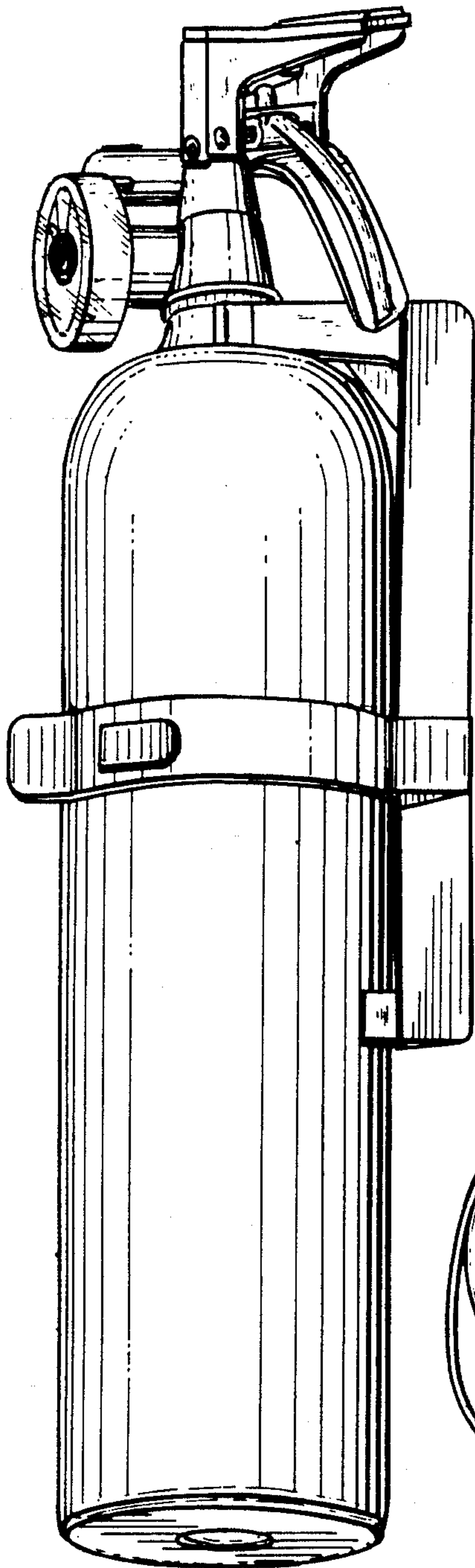
The ornamental design for a combined fire extinguisher and bracket therefor, as shown.

DESCRIPTION

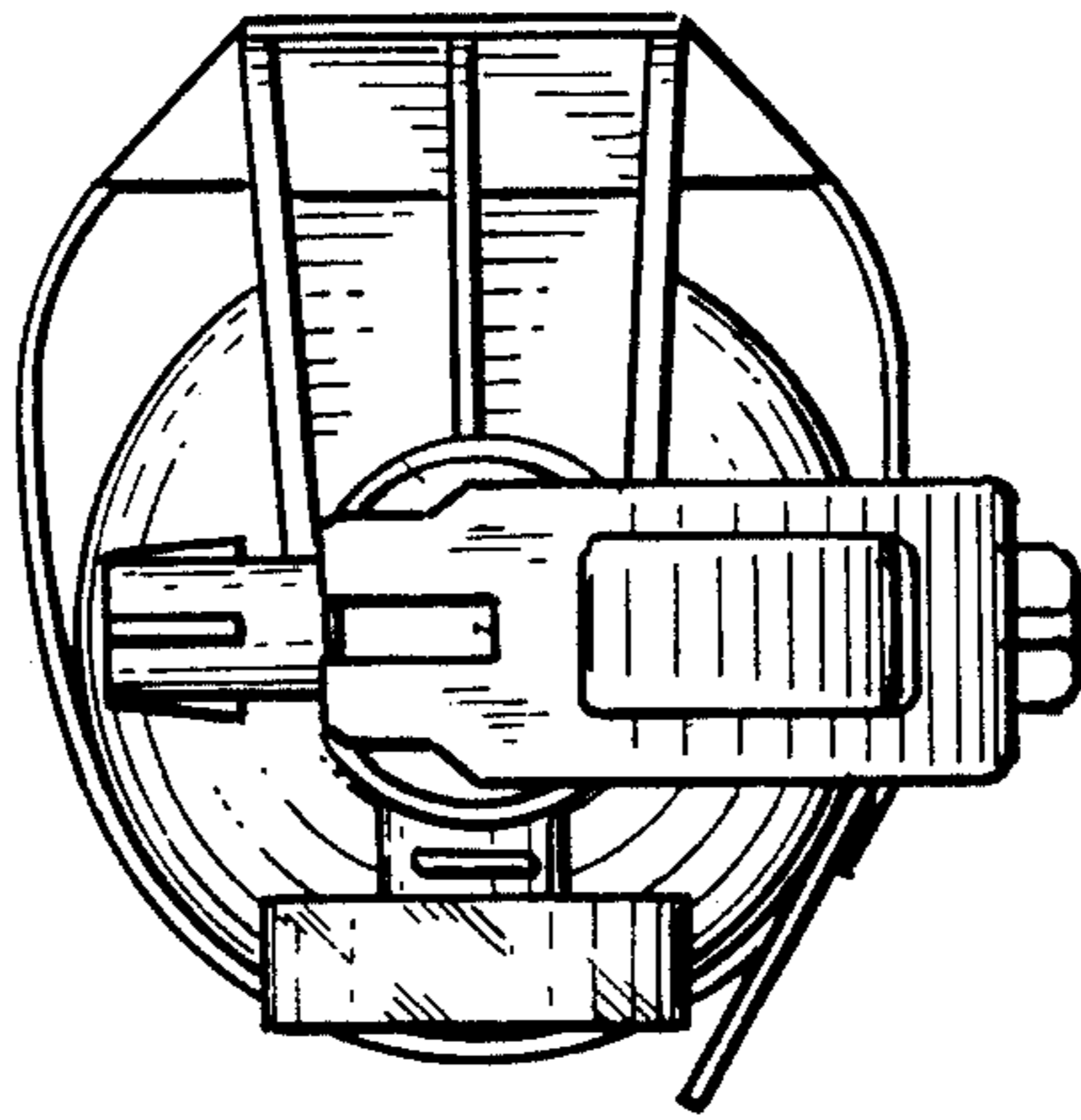
FIG. 1 is a perspective view of a combined fire extinguisher and bracket therefor showing my new design; FIG. 2 is a top plan view of the combined fire extinguisher and bracket therefor shown in FIG. 1; FIG. 3 is a front view in elevation of the combined fire extinguisher and bracket therefor shown in FIG. 1; FIG. 4 is a bottom plan view of the combined fire extinguisher and bracket therefor shown in FIG. 1; FIG. 5 is a side view in elevation of the combined fire extinguisher and bracket therefor shown in FIG. 1; FIG. 6 is a rear view in elevation of the combined fire extinguisher and bracket therefor shown in FIG. 1; and FIG. 7 is another side view in elevation of the combined fire extinguisher and bracket therefor shown in FIG. 1.



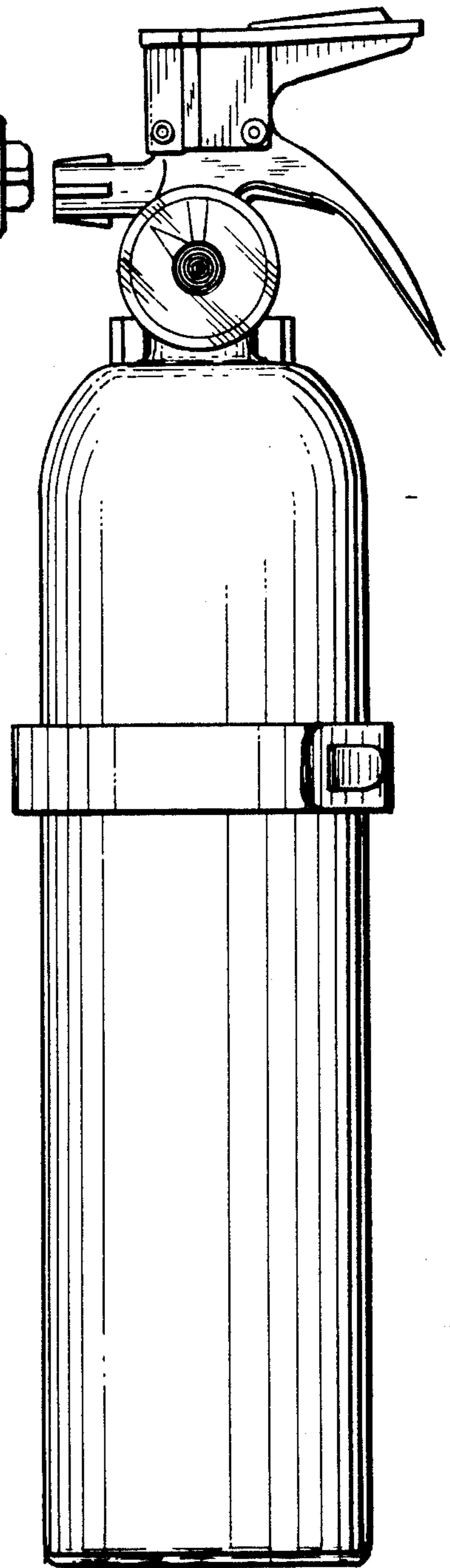
**FIG. 1.**



**FIG. 2.**



**FIG. 3.**



**FIG. 4.**

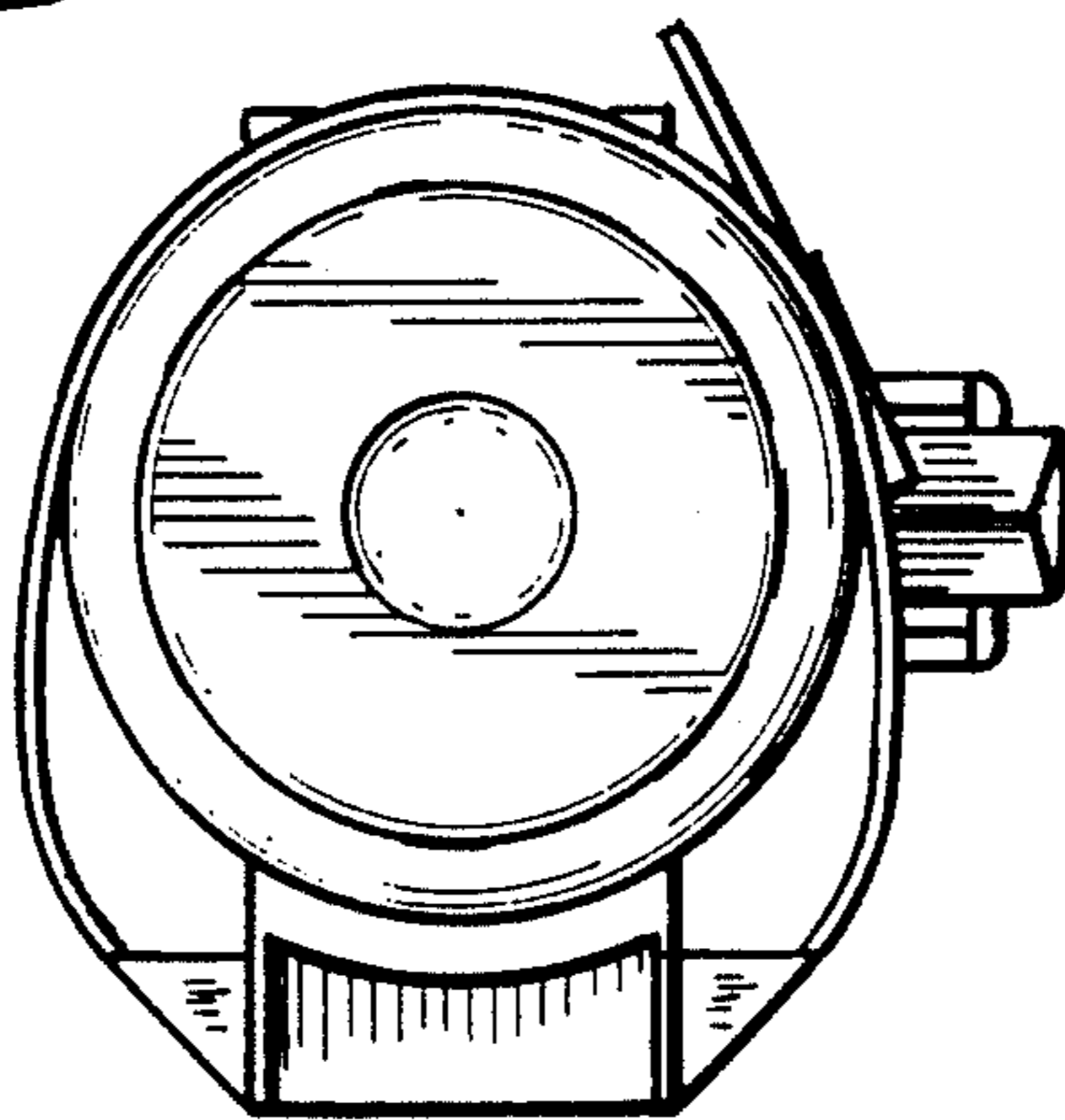


FIG. 5.

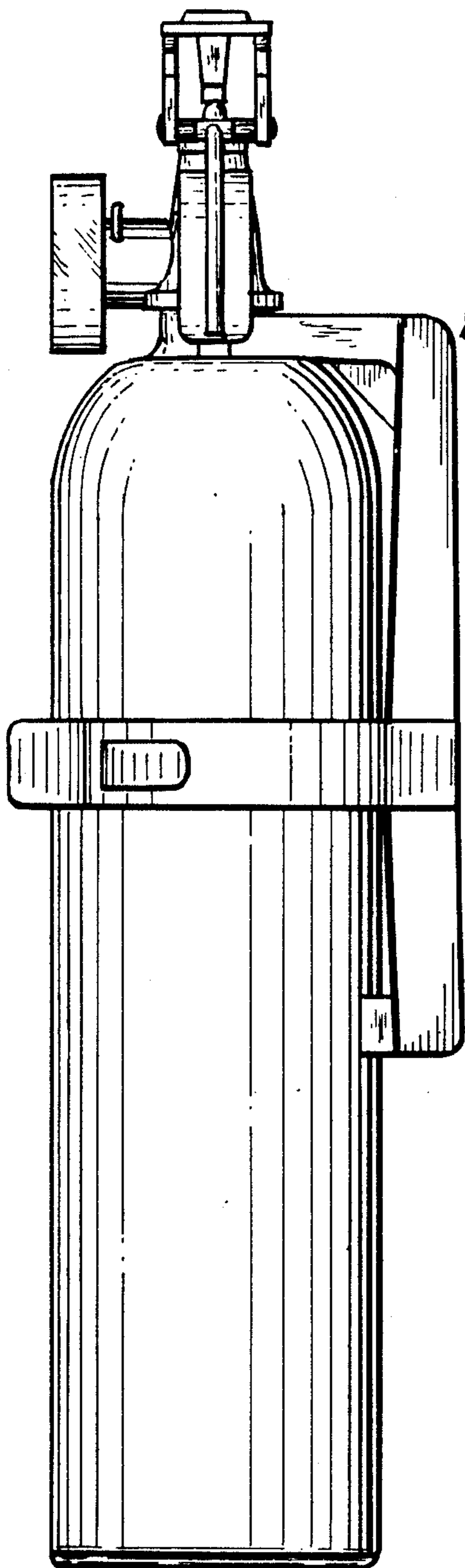


FIG. 6.

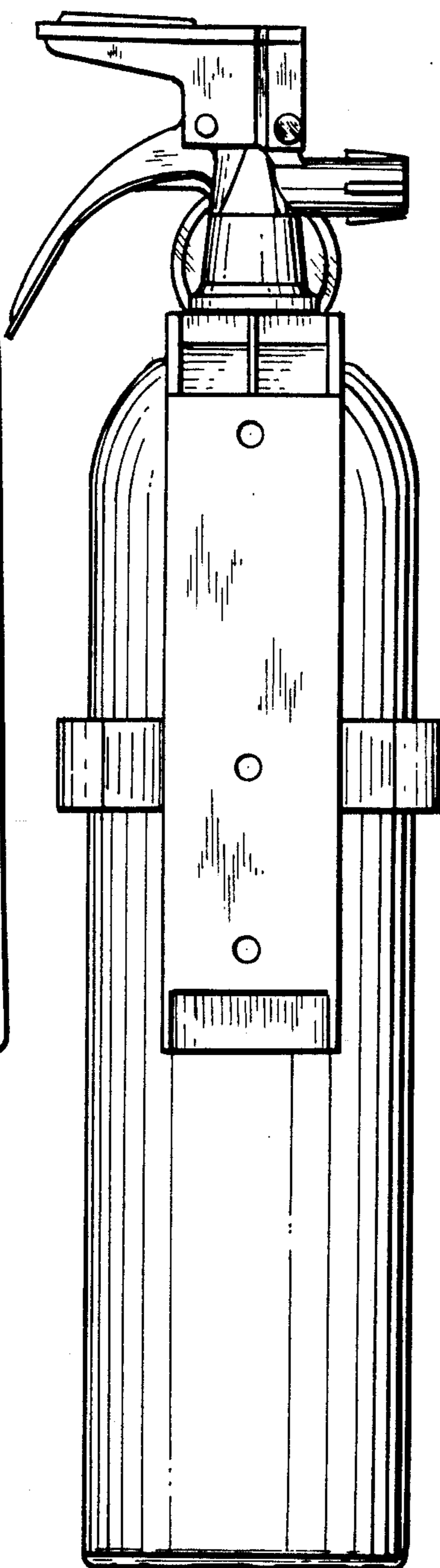


FIG. 7.

