

[54] WOODBURNING STOVE

[76] Inventor: **Martin Leach**, Grandview Ave., Cornwall-on-Hudson, N.Y. 12520

[**] Term: **14 Years**

[21] Appl. No.: **808,324**

[22] Filed: **Jun. 20, 1977**

[51] Int. Cl. **D23—03**

[52] U.S. Cl. **D23/97**

[58] Field of Search **D23/72, 86, 89, 92, D23/93, 94, 97, 105, 107, 108, 127, 128; D7/112, 113, 114; 126/4, 6, 58, 59, 60, 62, 65, 120, 121, 123, 126, 138, 190, 200, 211, 217**

[56] **References Cited**

U.S. PATENT DOCUMENTS

D. 237,798 11/1975 Fisher D23/93 X

Primary Examiner—Wallace R. Burke

Assistant Examiner—Catherine Kemper

Attorney, Agent, or Firm—Jack D. Slobod

[57] **CLAIM**

The ornamental design for a woodburning stove, as shown and described.

DESCRIPTION

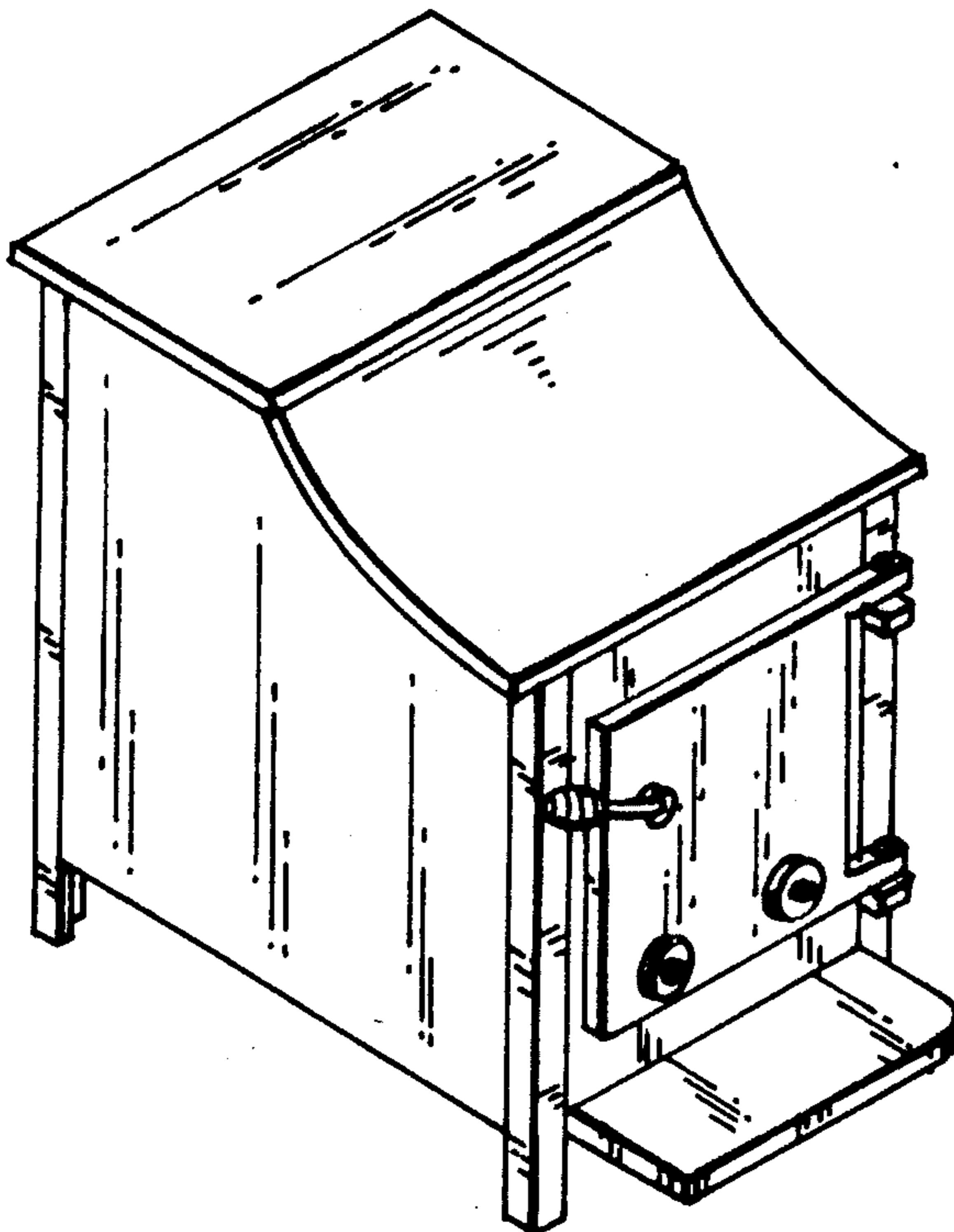
FIG. 1 is a perspective view of a woodburning stove showing my new design;

FIG. 2 is a top plan view, shown on a slightly larger scale;

FIG. 3 is a right side elevational view thereof;

FIG. 4 is a front elevational view thereof; and

FIG. 5 is a rear elevational view thereof.



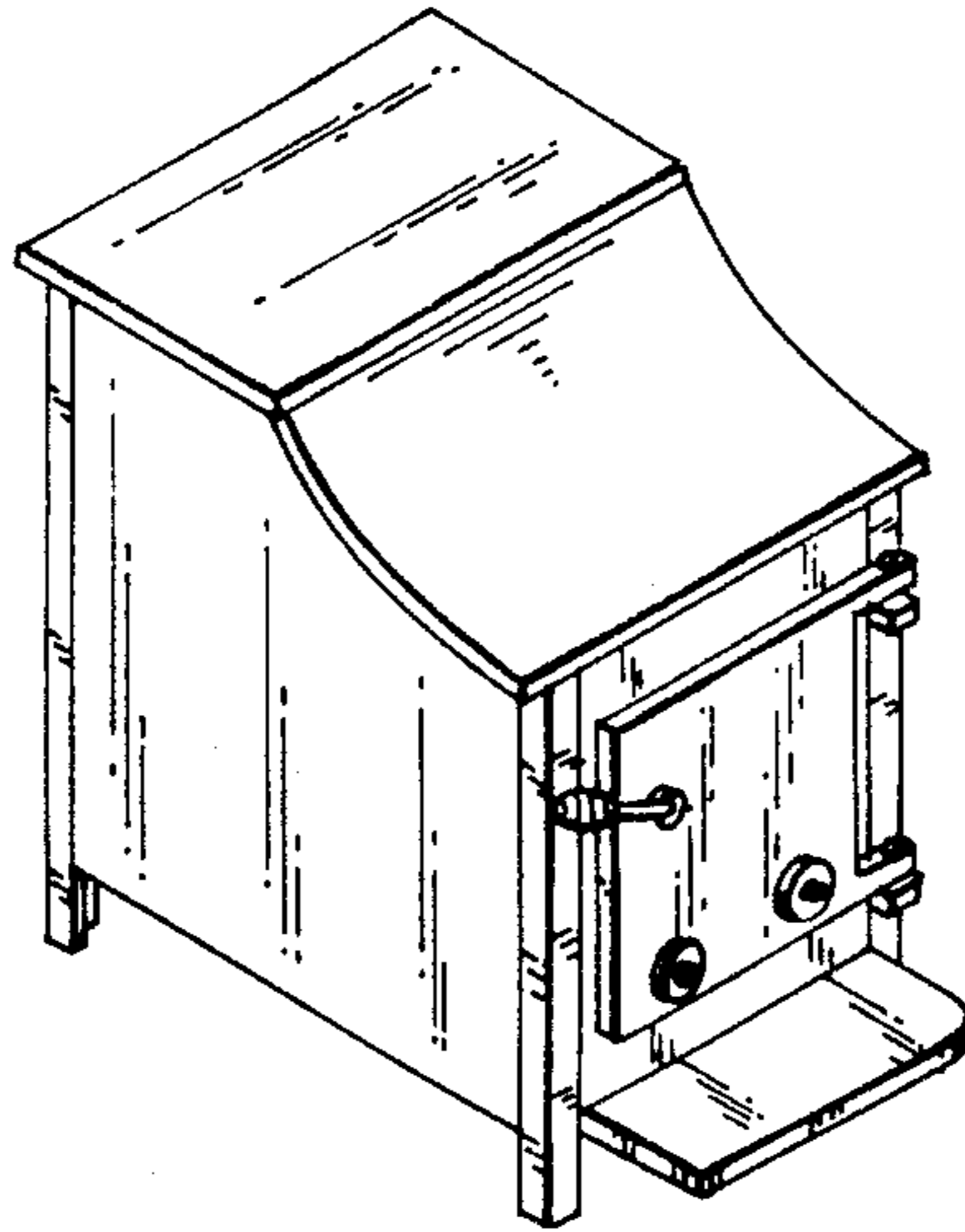


Fig. 1

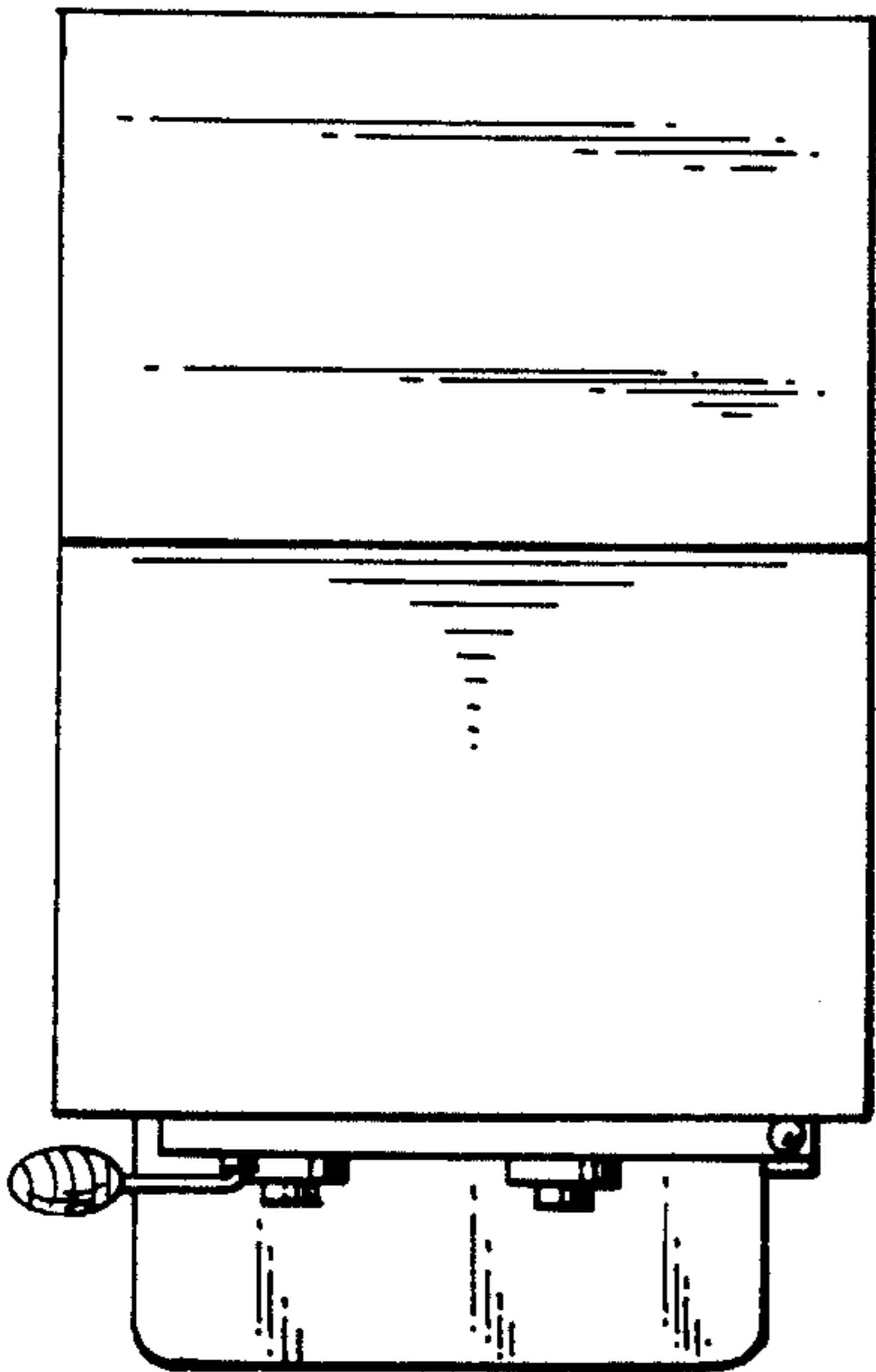


Fig. 2

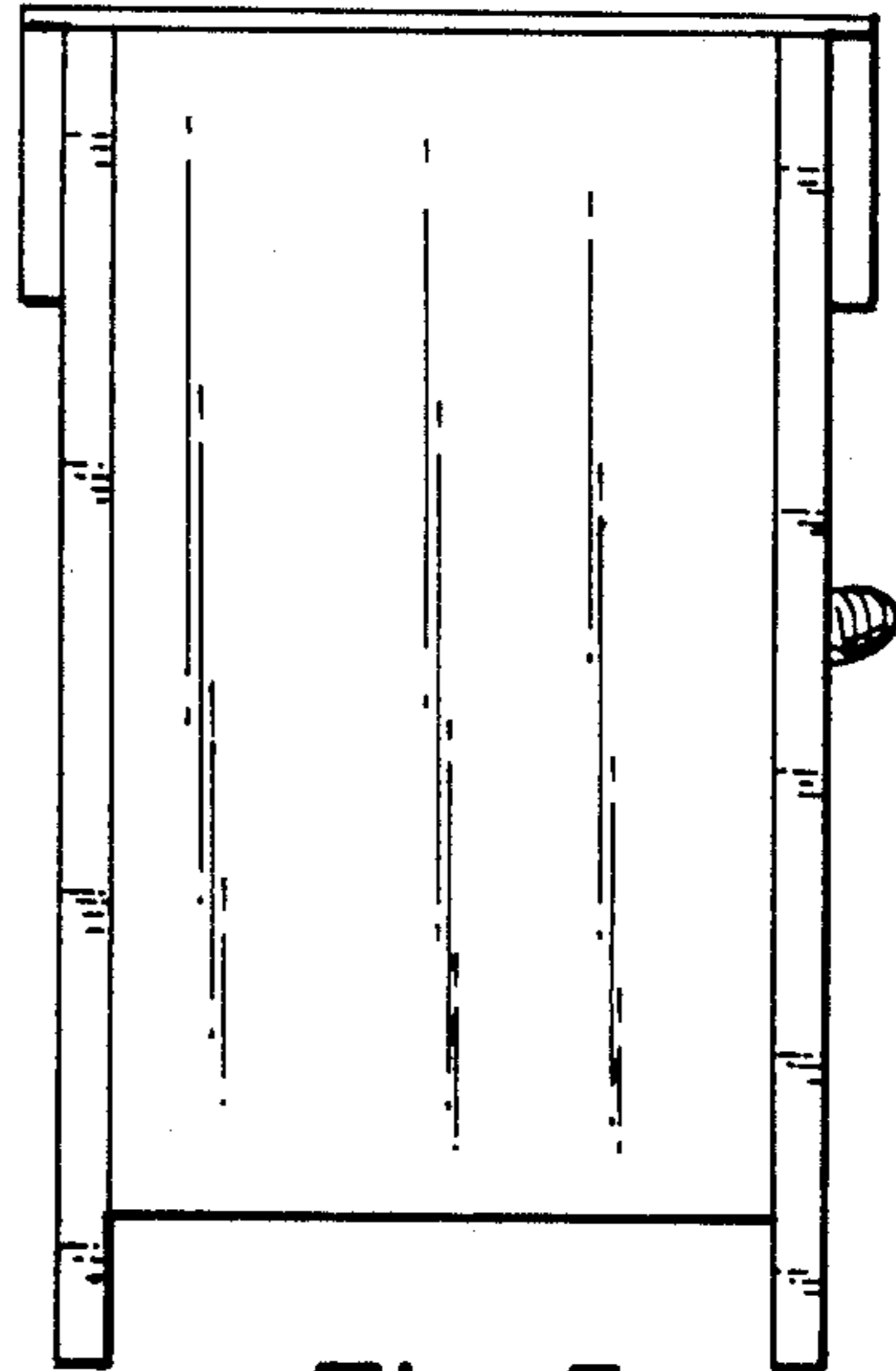


Fig. 5

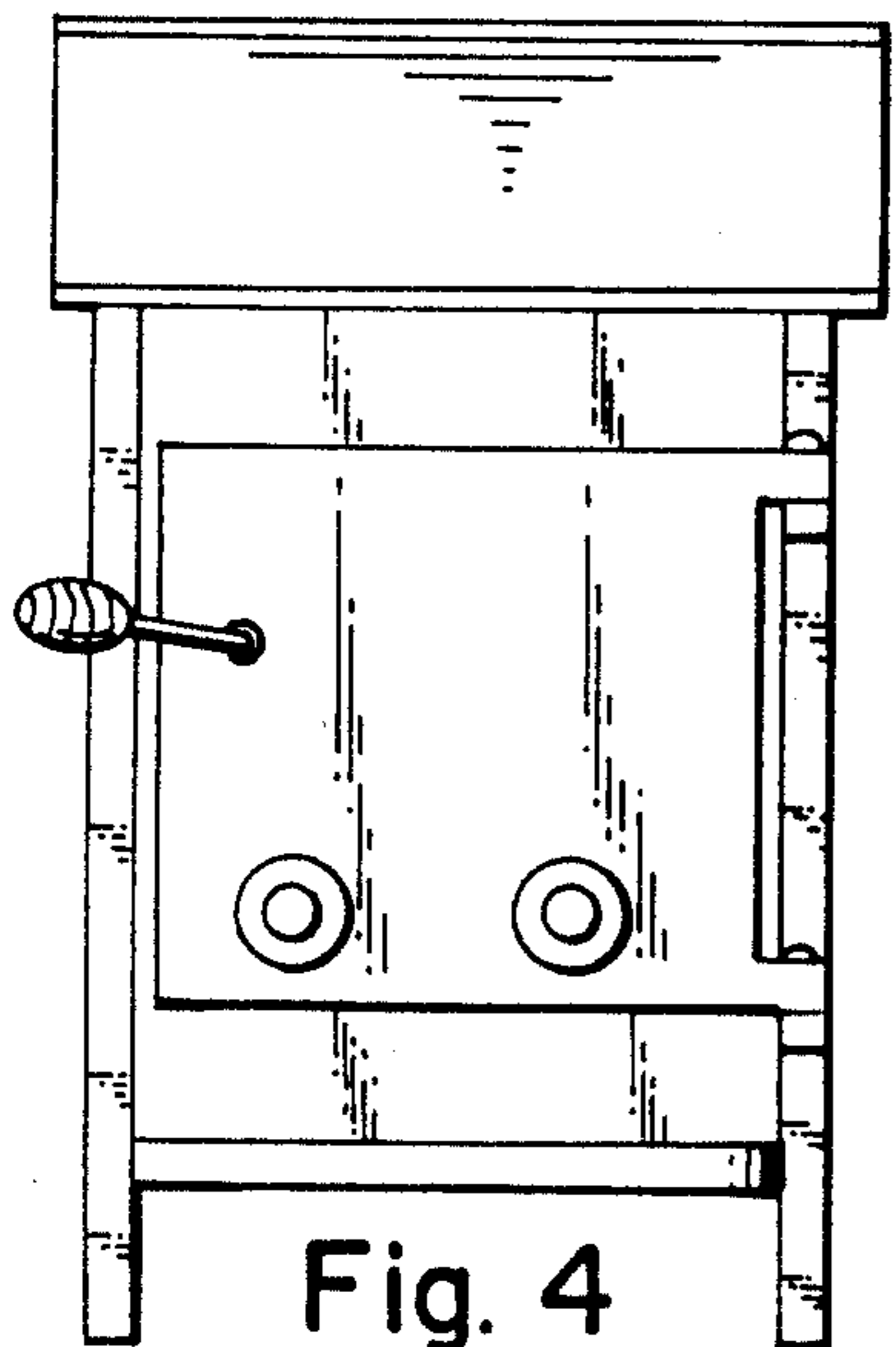


Fig. 4

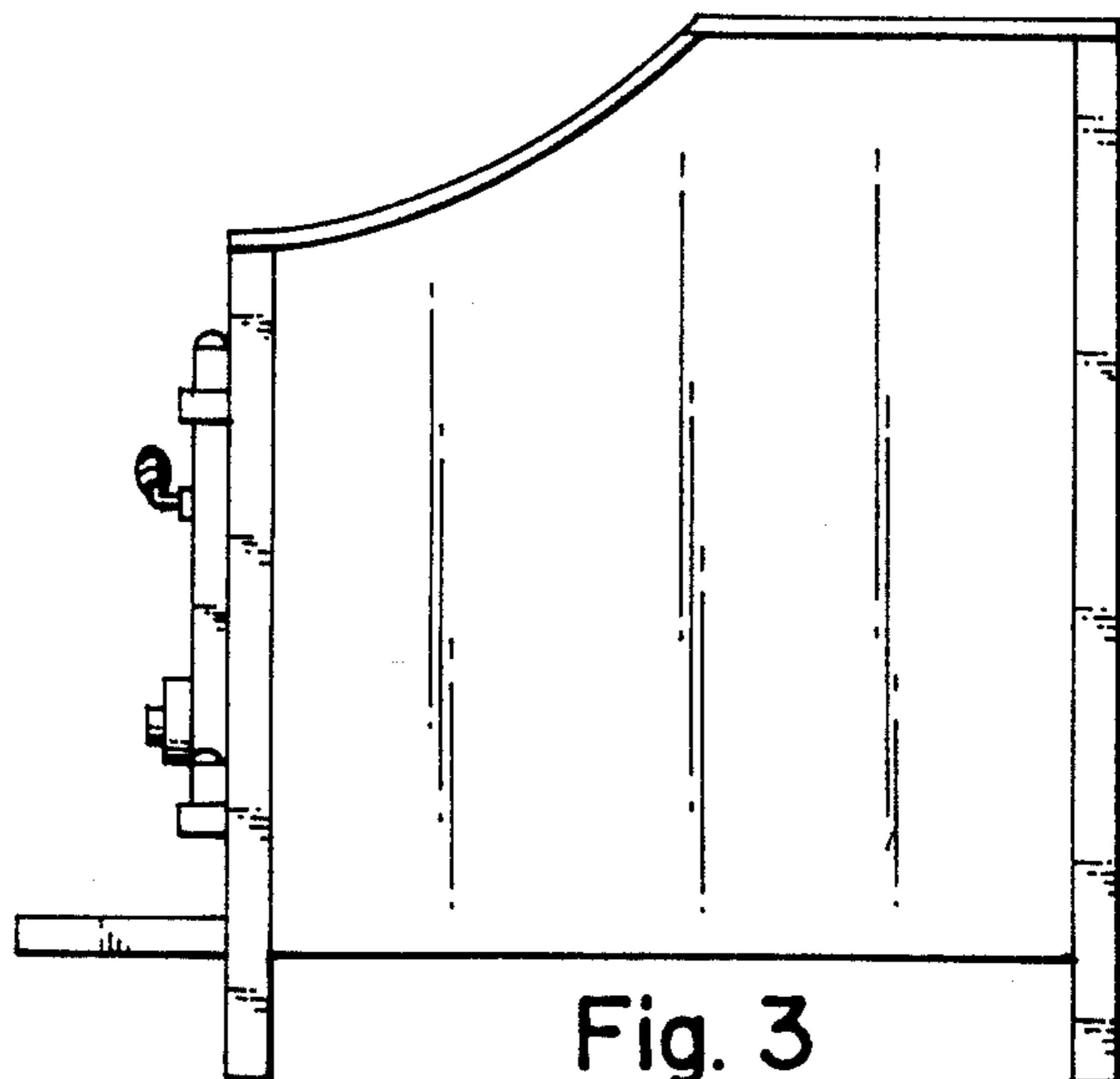


Fig. 3