

[54] **TOILET**

[75] **Inventors:** Frank T. Sargent; John M. Antos, both of Ann Arbor, Mich.

[73] **Assignee:** Thetford Corporation, Ann Arbor, Mich.

[**] **Term:** 14 Years

[21] **Appl. No.:** 804,759

[22] **Filed:** Jun. 8, 1977

[51] **Int. Cl.** D23-02

[52] **U.S. Cl.** D23/48

[58] **Field of Search** D23/48-57,
D23/65-68; 4/10, 300, 317, 318, 319, 320, 321,
322, 323, 441

[56] **References Cited**

U.S. PATENT DOCUMENTS

D. 203,381 1/1966 Brown et al. D23/48
D. 222,060 9/1971 Quintana D23/48

D. 233,755 11/1974 Hewson D23/48
D. 236,206 8/1975 McHose D23/67
D. 238,577 1/1976 Hewson D23/48
D. 241,845 10/1976 Shamsie D23/48
3,454,967 7/1969 Corliss 4/318
3,570,018 3/1971 Sargent et al. 4/115
3,747,130 7/1973 Sargent et al. 4/321
3,905,049 9/1975 Stokes et al. 4/10
4,032,996 7/1977 Sargent et al. 4/441

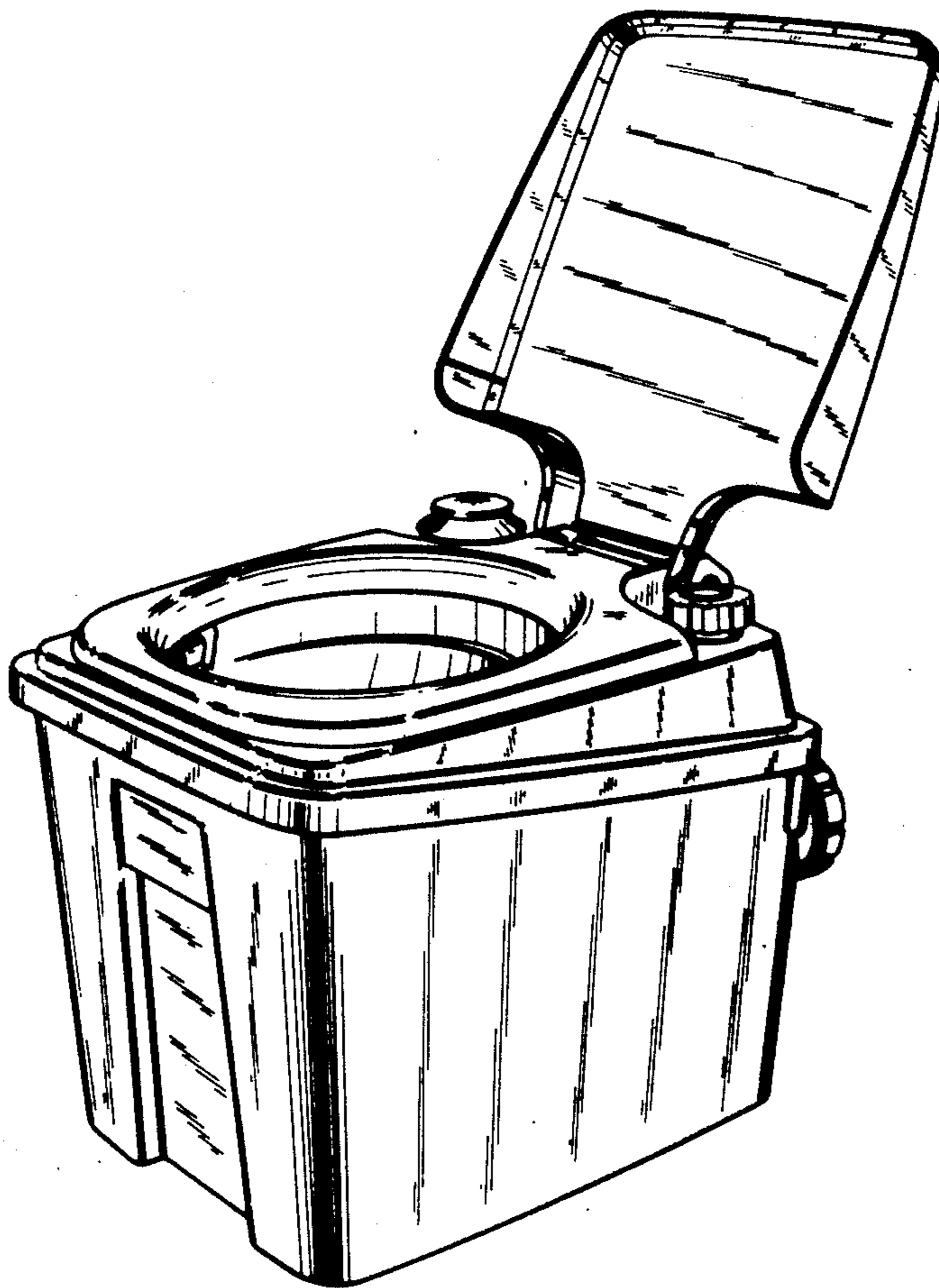
Primary Examiner—James R. Largen

[57] **CLAIM**

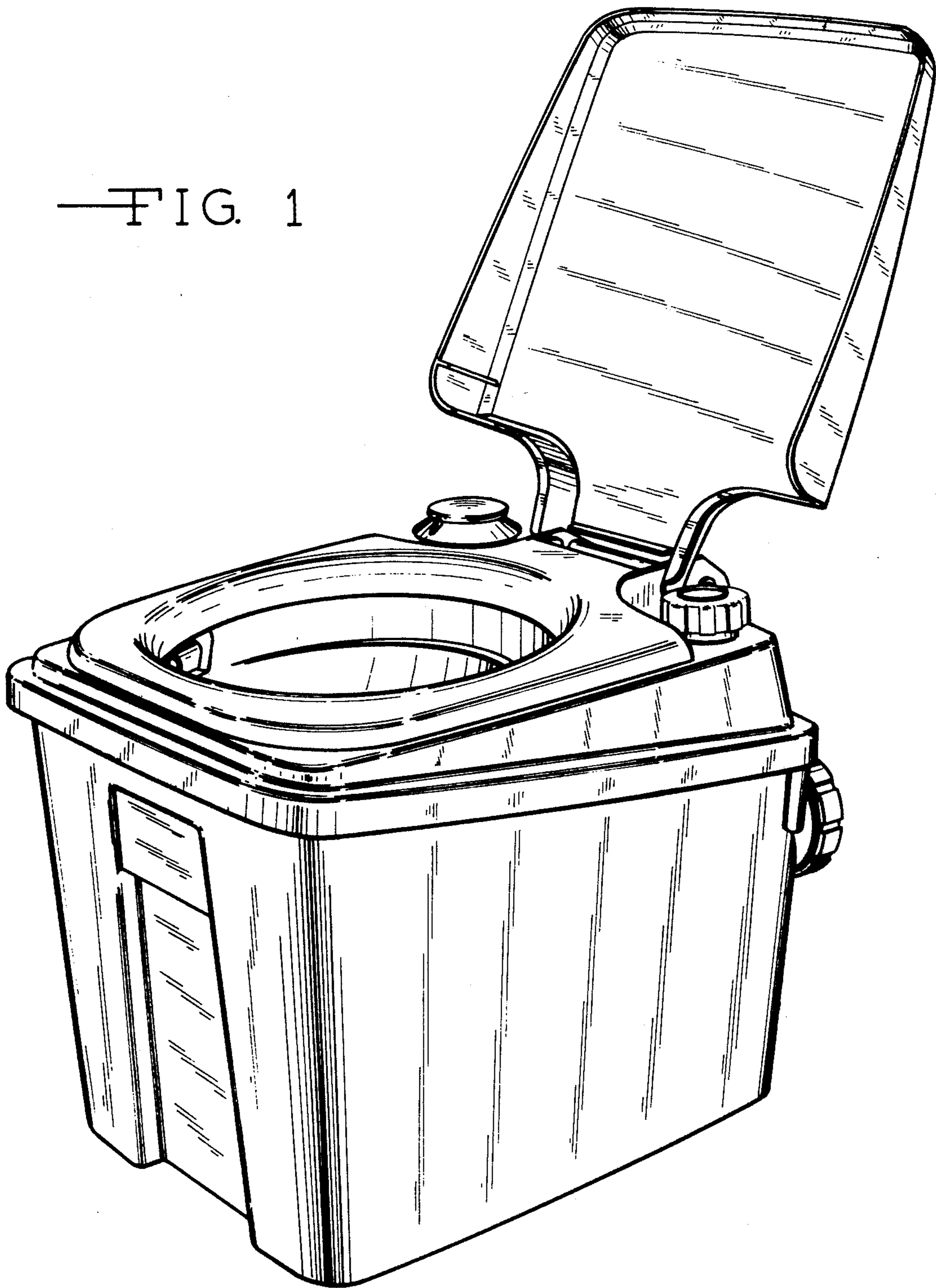
The ornamental design for a toilet, as shown.

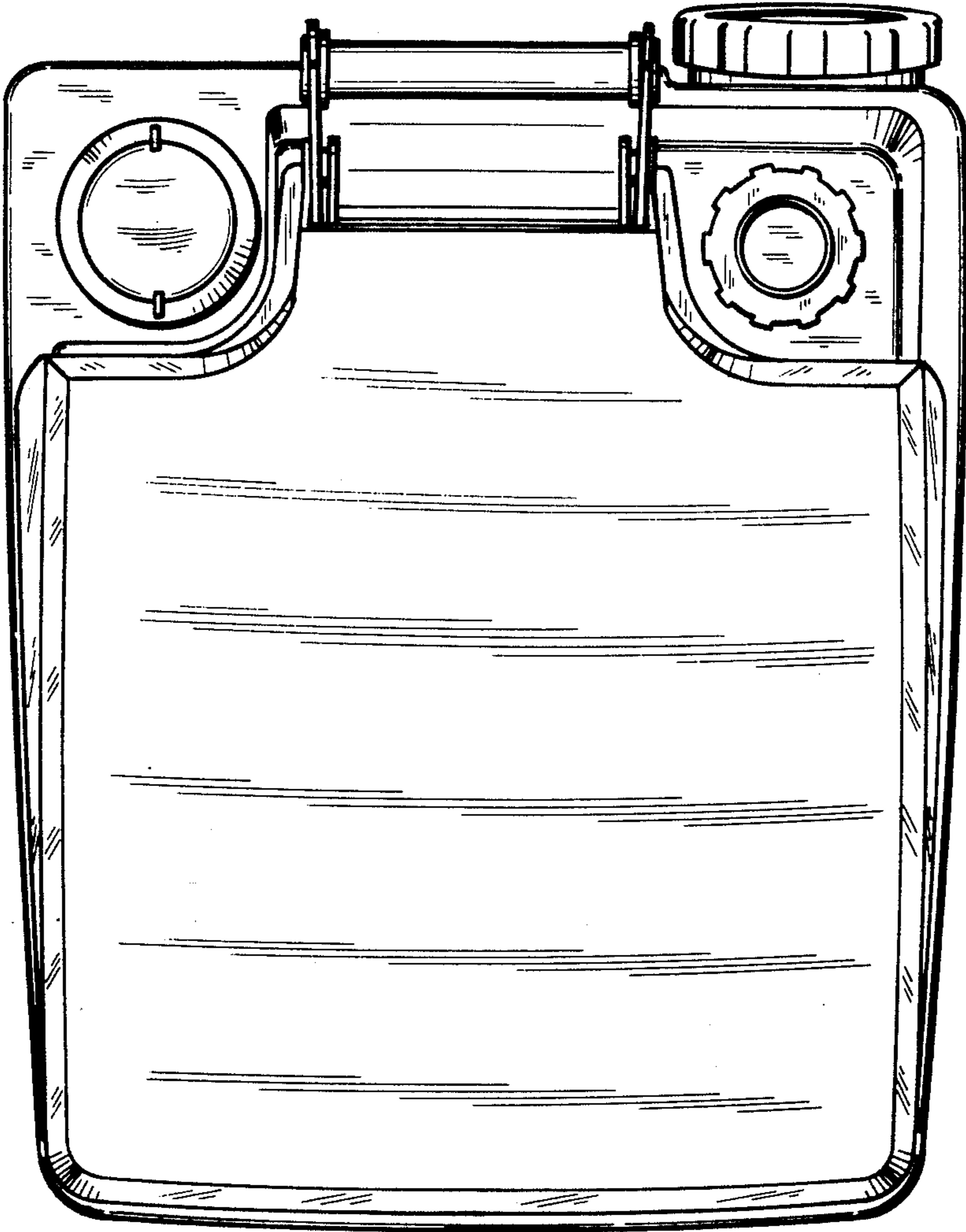
DESCRIPTION

FIG. 1 is a perspective view of a toilet showing our new design with the cover in an open position; FIG. 2 is a top plan view thereof with the cover closed; FIG. 3 is a front elevational view of FIG. 2; FIG. 4 is a left side elevational view of FIG. 2; FIG. 5 is a right side elevational view of FIG. 2; and FIG. 6 is a rear elevational view of FIG. 2.



—FIG. 1





—FIG. 2

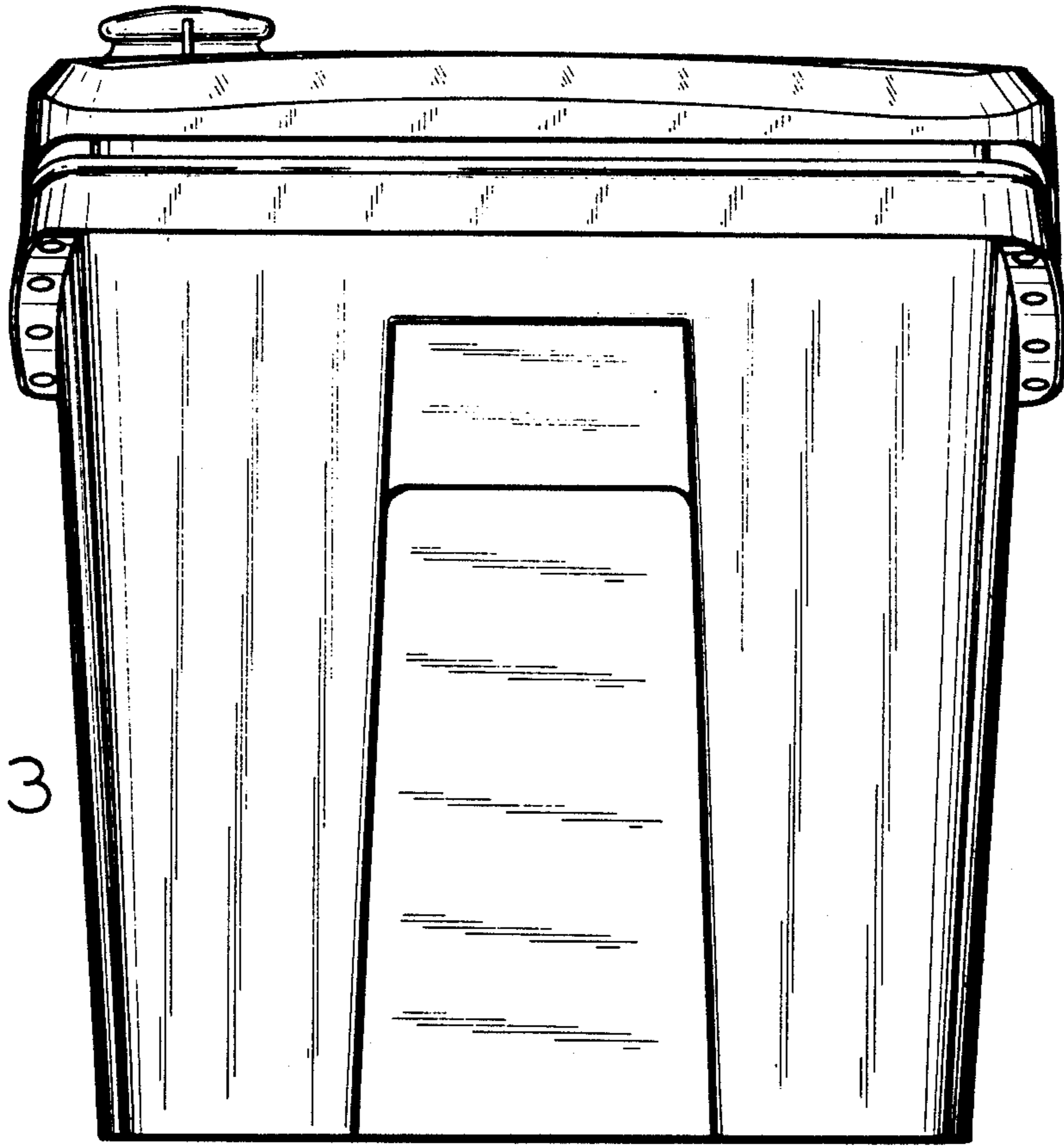


FIG. 3

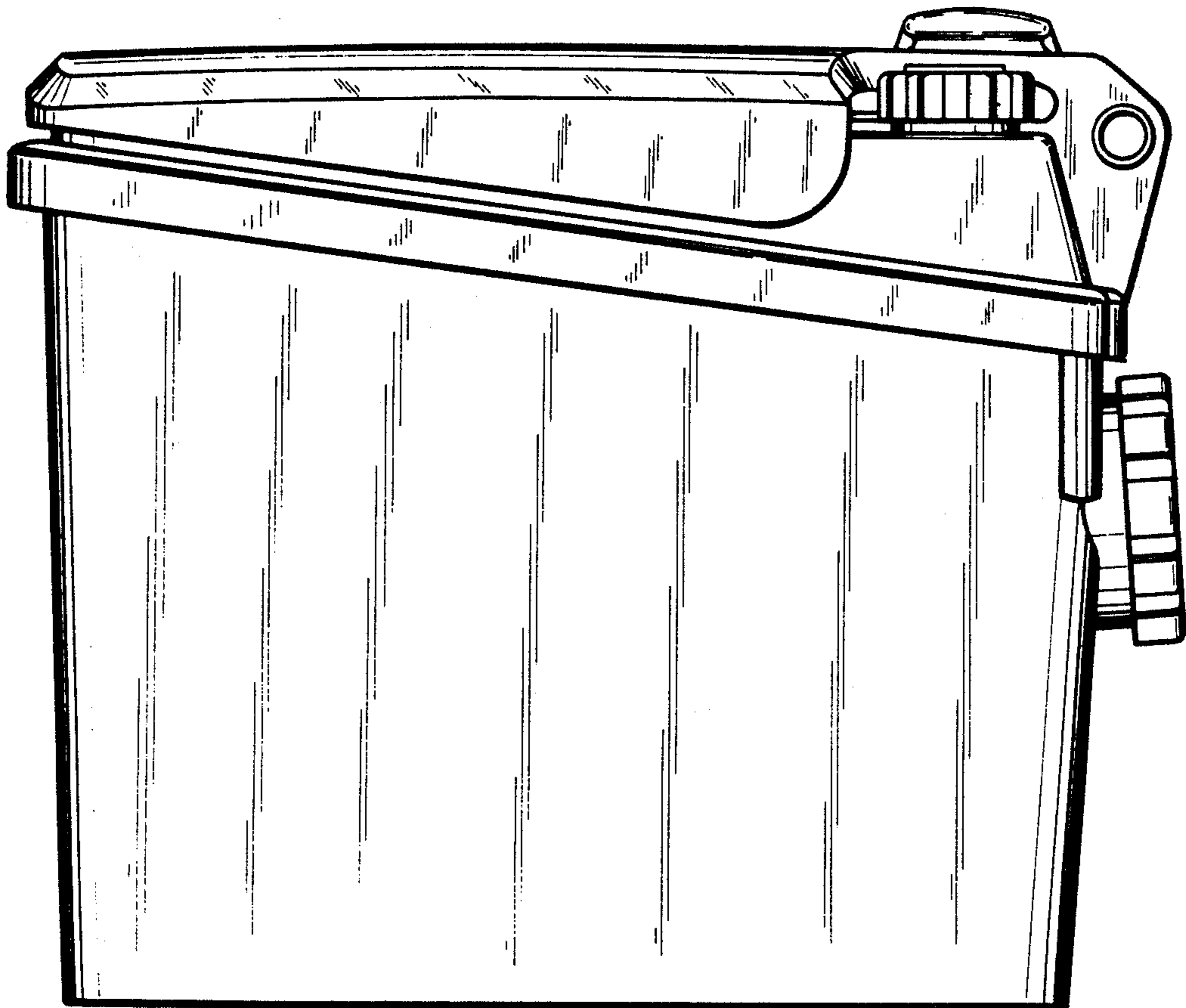
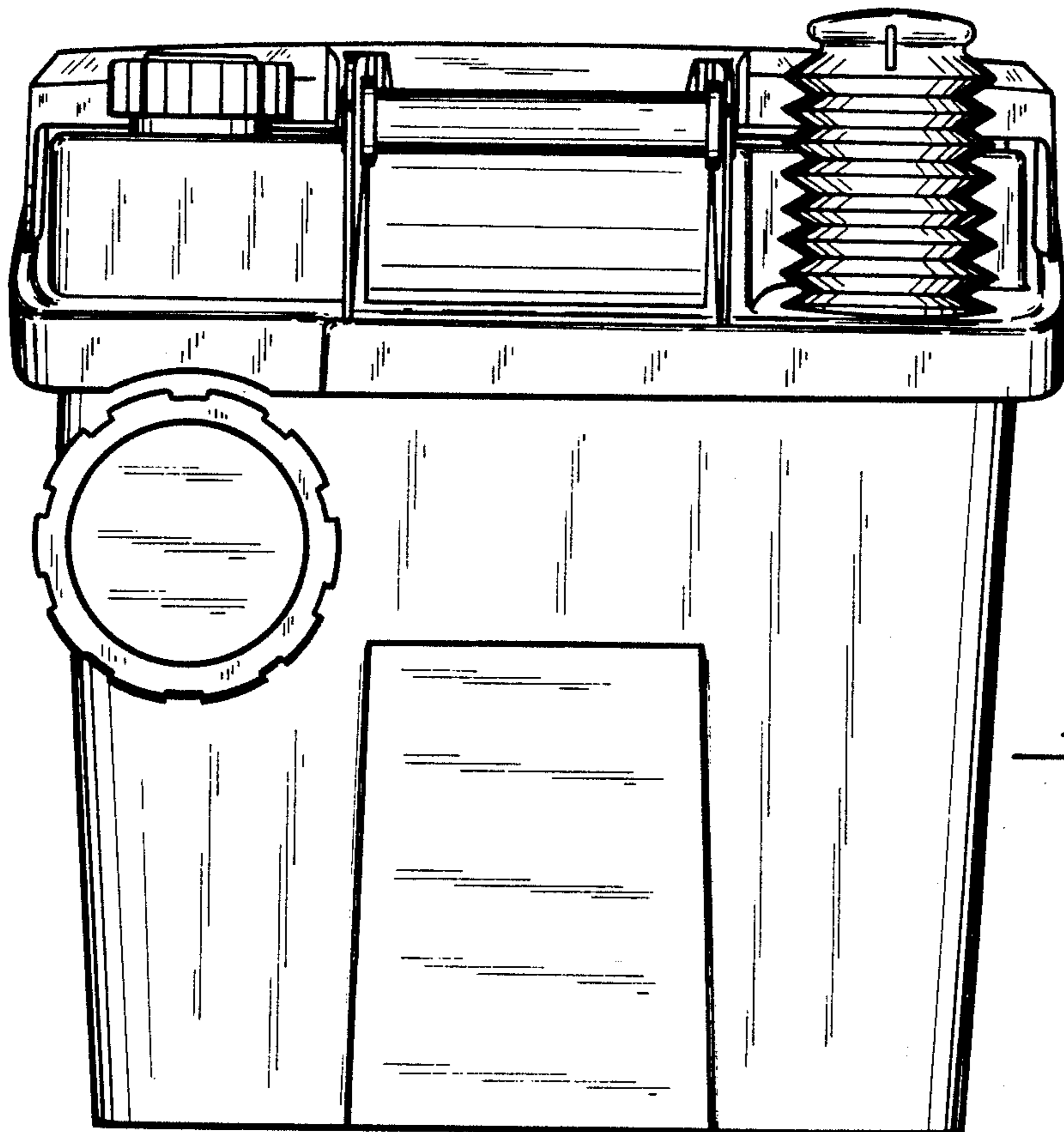
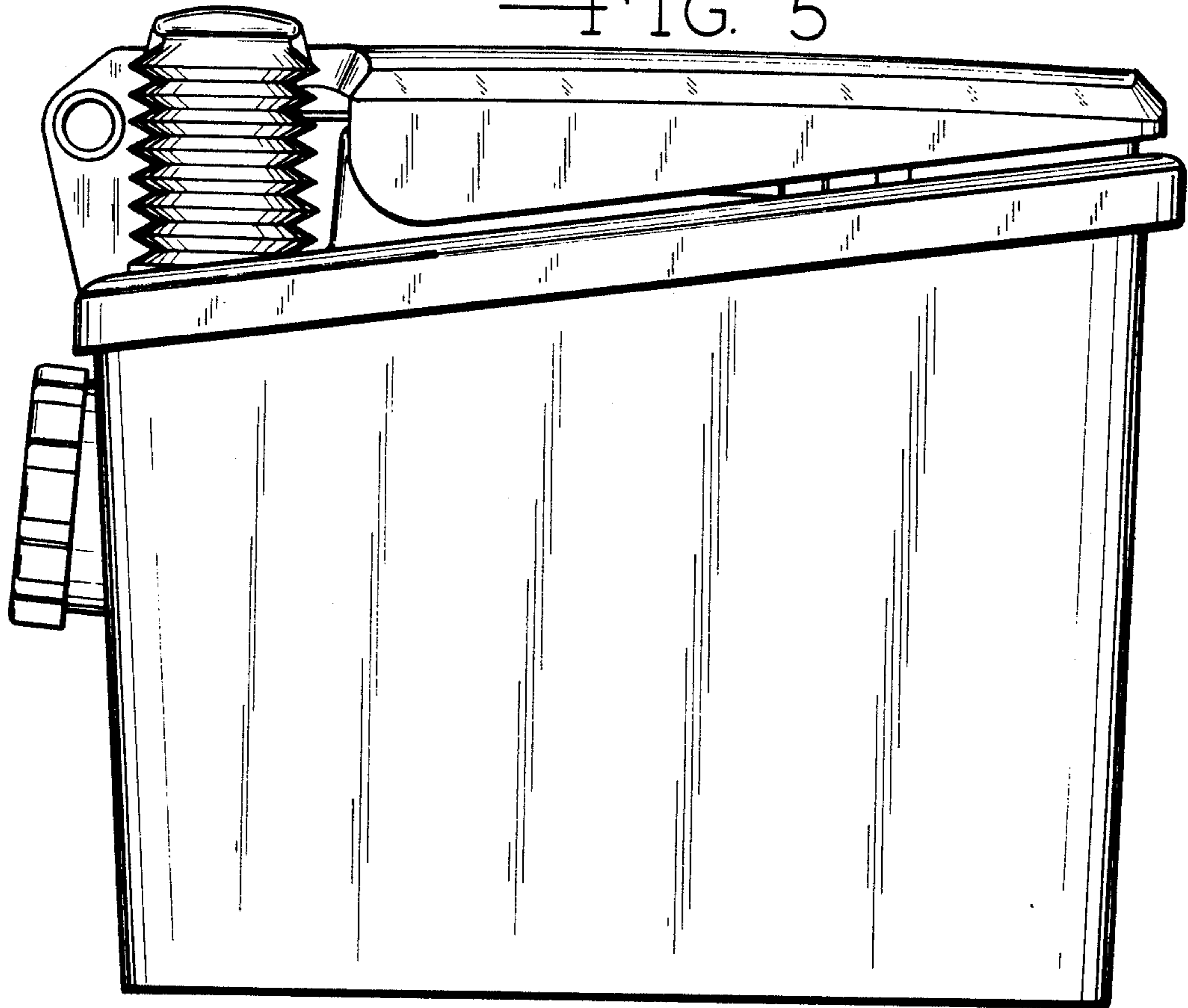


FIG. 4

—FIG. 5



—FIG. 6