

- [54] **CARD FILE**
- [75] **Inventor:** William Macowski, Caldwell, N.J.
- [73] **Assignee:** Ketcham & McDougal, Inc.,  
Roseland, N.J.
- [\*\*] **Term:** 14 Years
- [21] **Appl. No.:** 677,813
- [22] **Filed:** Apr. 16, 1976
- [51] **Int. Cl.** ..... D19-02
- [52] **U.S. Cl.** ..... D19/76
- [58] **Field of Search** ..... D19/75-79,  
D19/20-21; D6/140; D87/1 B; 40/68.4, 68.6

- D. 204,217 3/1966 Sims ..... D19/90
- 3,253,871 5/1966 Karper ..... D19/76

*Primary Examiner*—Joel Stearman  
*Assistant Examiner*—George P. Word  
*Attorney, Agent, or Firm*—Harvey W. Mortimer

[57] **CLAIM**

The ornamental design for a card file, as shown and described.

**DESCRIPTION**

FIG. 1 is a perspective view of a card file showing my new design;  
 FIG. 2 is a top plan view;  
 FIG. 3 is a right side elevational view, the opposite side being a mirror image thereof;  
 FIG. 4 is a front elevational view;  
 FIG. 5 is a rear elevational view; and  
 FIG. 6 is a bottom plan view.

- [56] **References Cited**
- U.S. PATENT DOCUMENTS**
- D. 200,370 2/1965 Sherman ..... D19/20

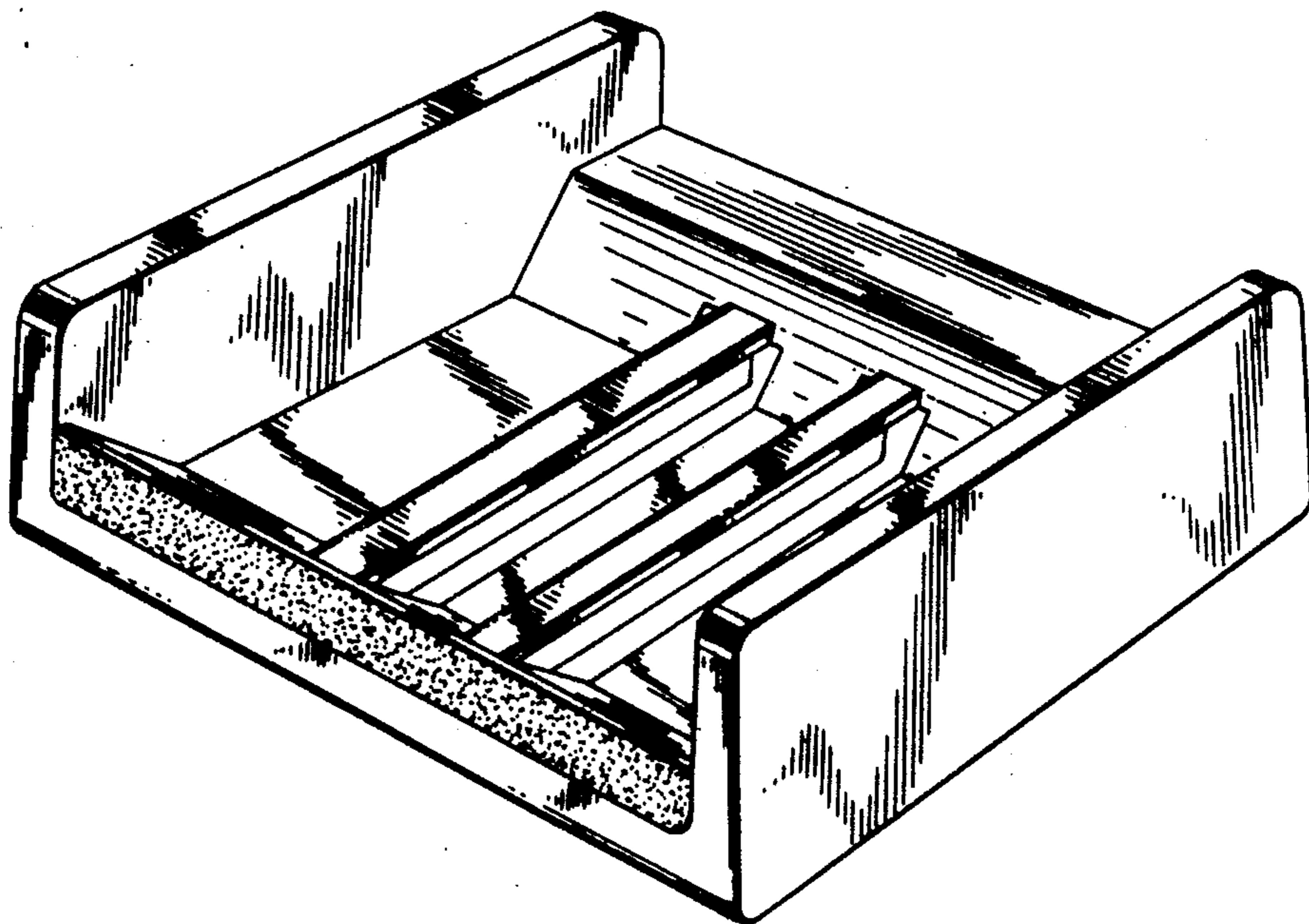


FIG. 1

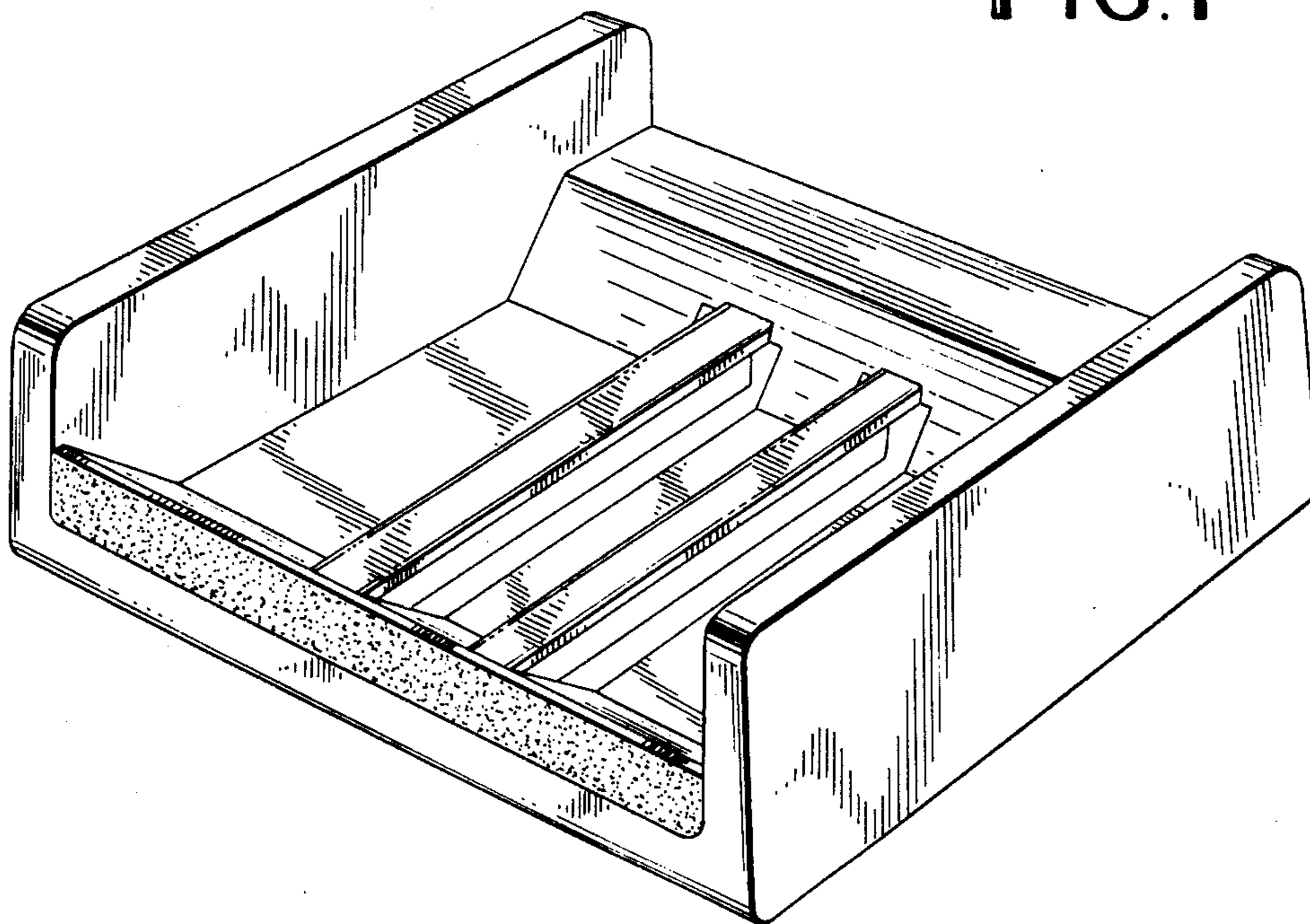


FIG. 2

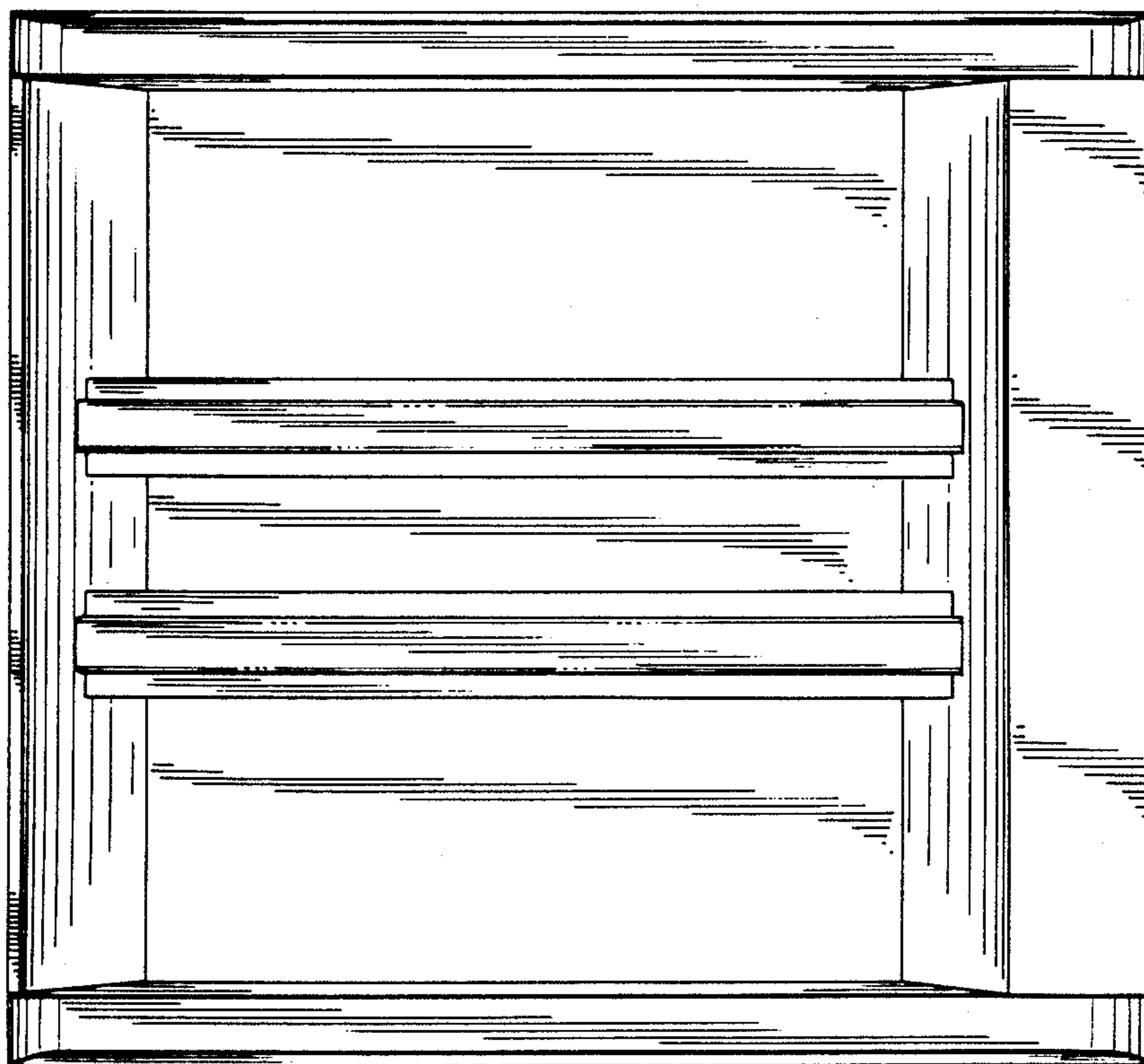


FIG. 3

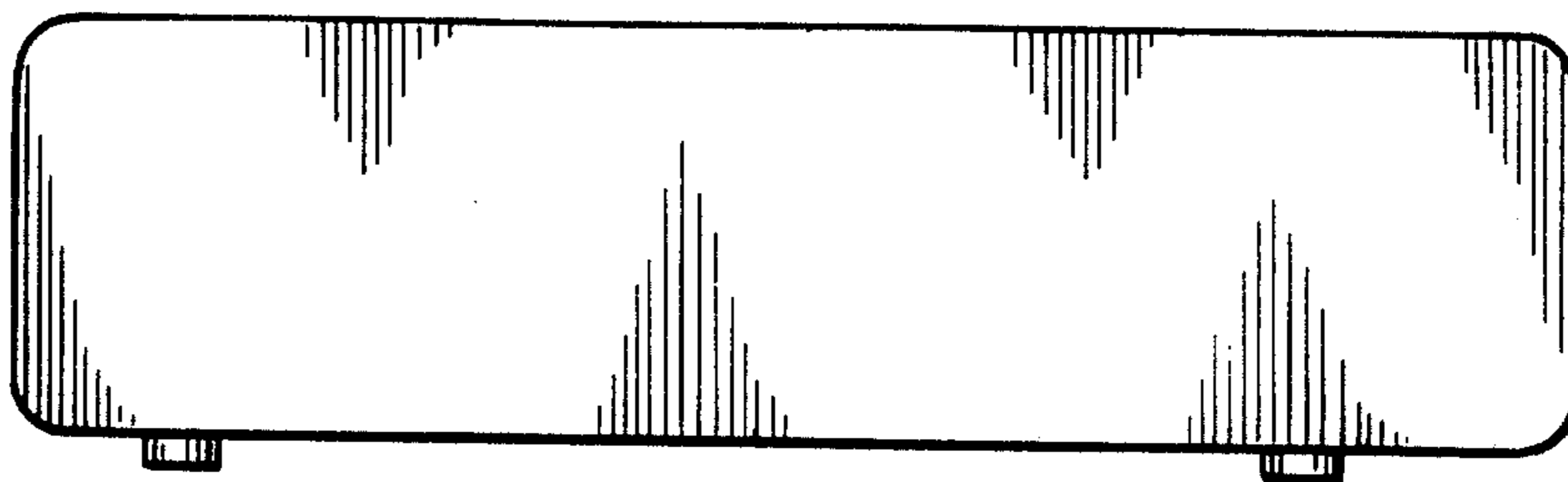


FIG. 4

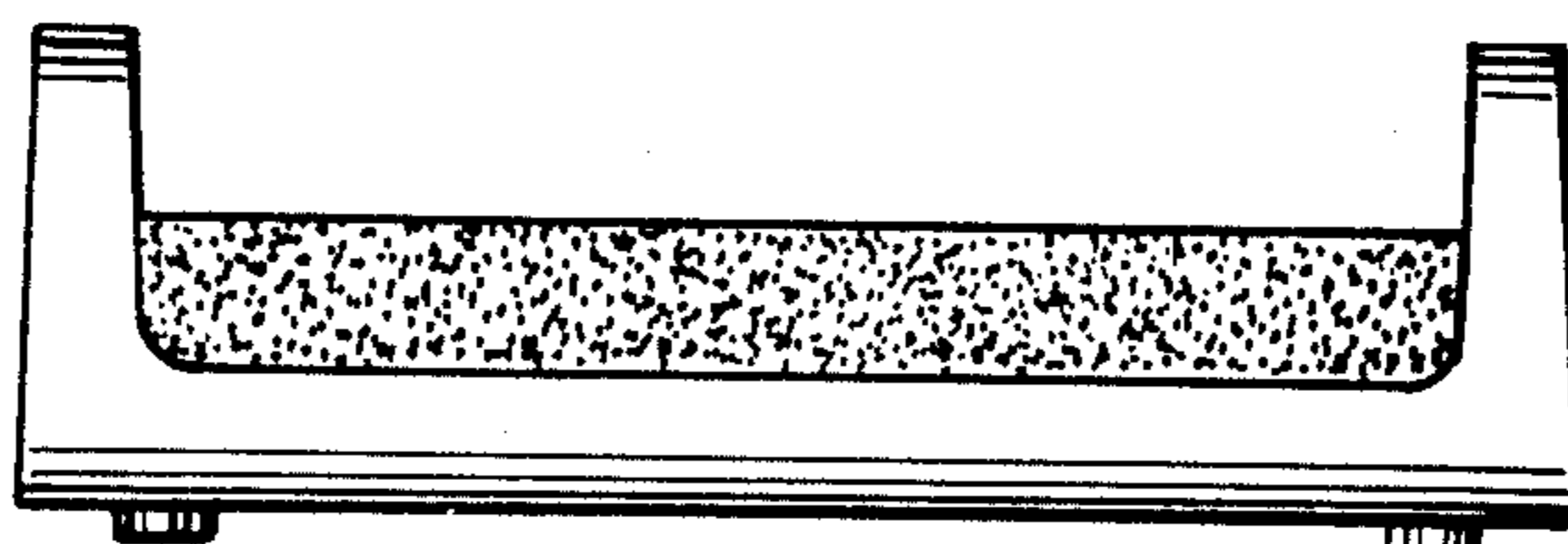


FIG. 5

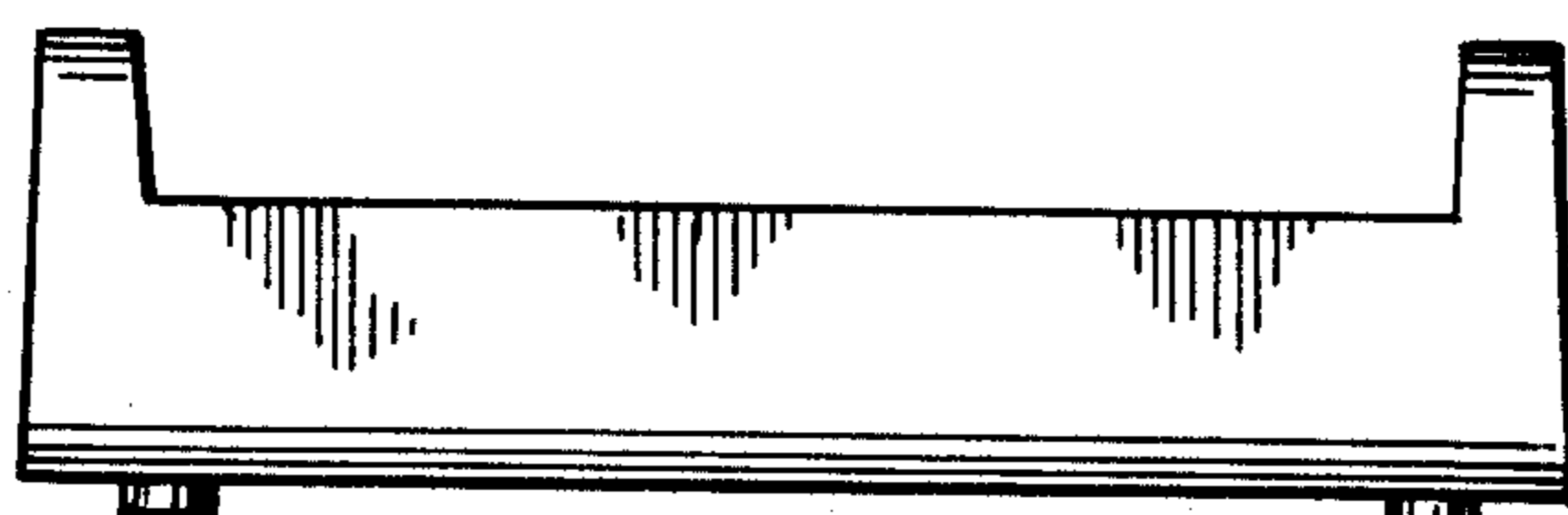


FIG. 6

