

[54] STATIONERY FOLDER

2,140,926 12/1938 Sheppard ..... 40/104.03  
3,363,349 1/1968 Nelson ..... 40/104.03

[76] Inventors: Keith R. Testro, 22 Kellett Grove,  
North Kew, Victoria 3102; Rex C.  
Testro, 56 Campbell St., East Kew,  
Victoria 3102, both of Australia

[\*\*] Term: 14 Years

[21] Appl. No.: 741,534

[22] Filed: Nov. 12, 1976

[51] Int. Cl. .... D19-04

[52] U.S. Cl. .... D19/26; D87/3 R

[58] Field of Search ..... D19/26-32;  
40/102, 104.03; 281/29; D87/3 R

[56] References Cited

U.S. PATENT DOCUMENTS

D. 136,862 12/1943 Wollenberger ..... D19/26  
D. 215,535 9/1969 Tucker ..... D19/26

OTHER PUBLICATIONS

V. P. D. cat. 1966-1967, p. 11.

Primary Examiner—Joel Stearman

Assistant Examiner—George P. Word

Attorney, Agent, or Firm—John W. Malley

[57] CLAIM

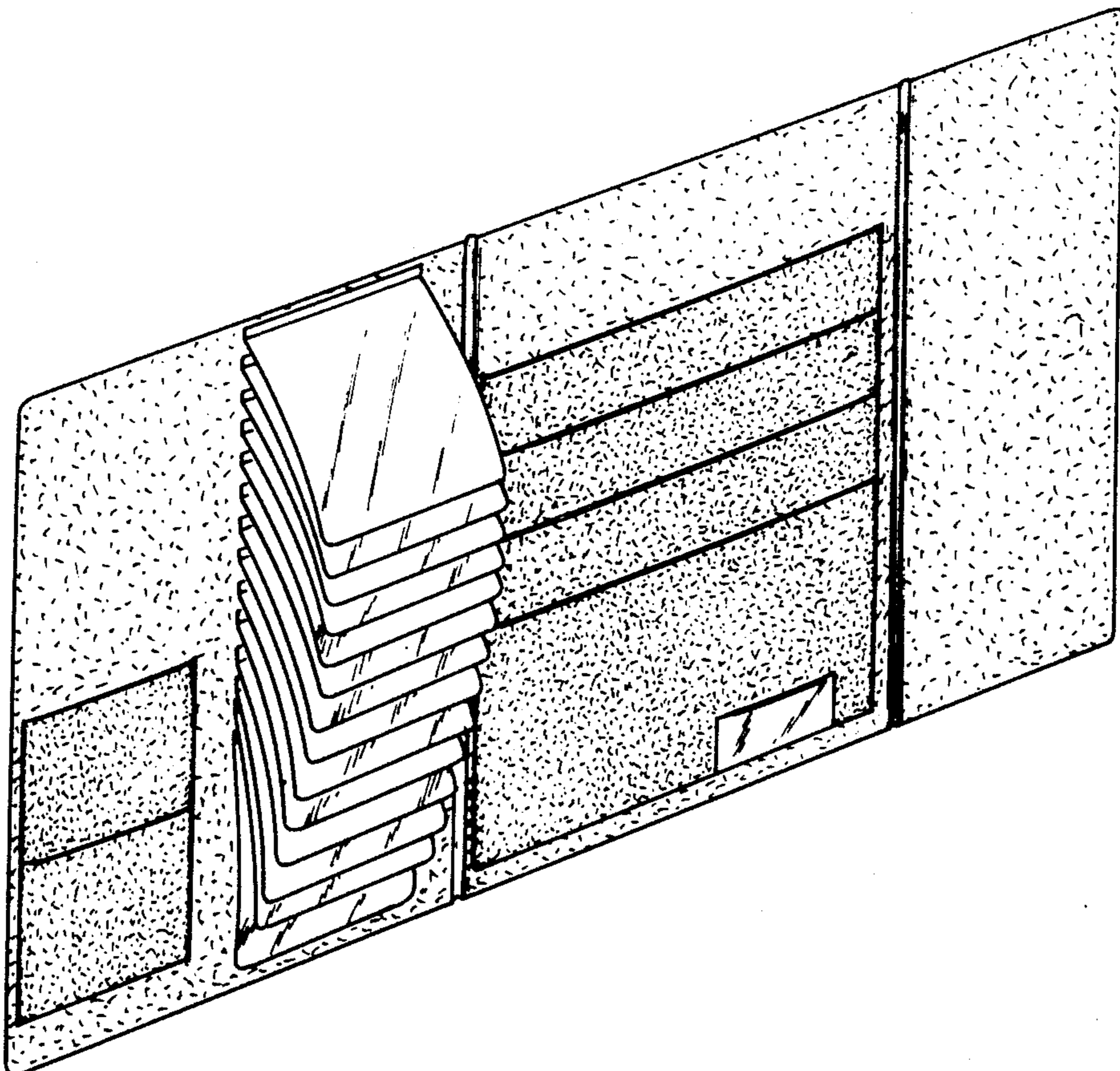
The ornamental design for stationery folder, as shown  
and described.

DESCRIPTION

FIG. 1 is a perspective view of a stationery folder show-  
ing our new design in a closed condition;

FIG. 2 is a perspective view of the stationery folder  
shown with the left-hand and right-hand flaps partially  
opened; and

FIG. 3 is a perspective view of the stationery folder  
shown with both flaps fully opened.



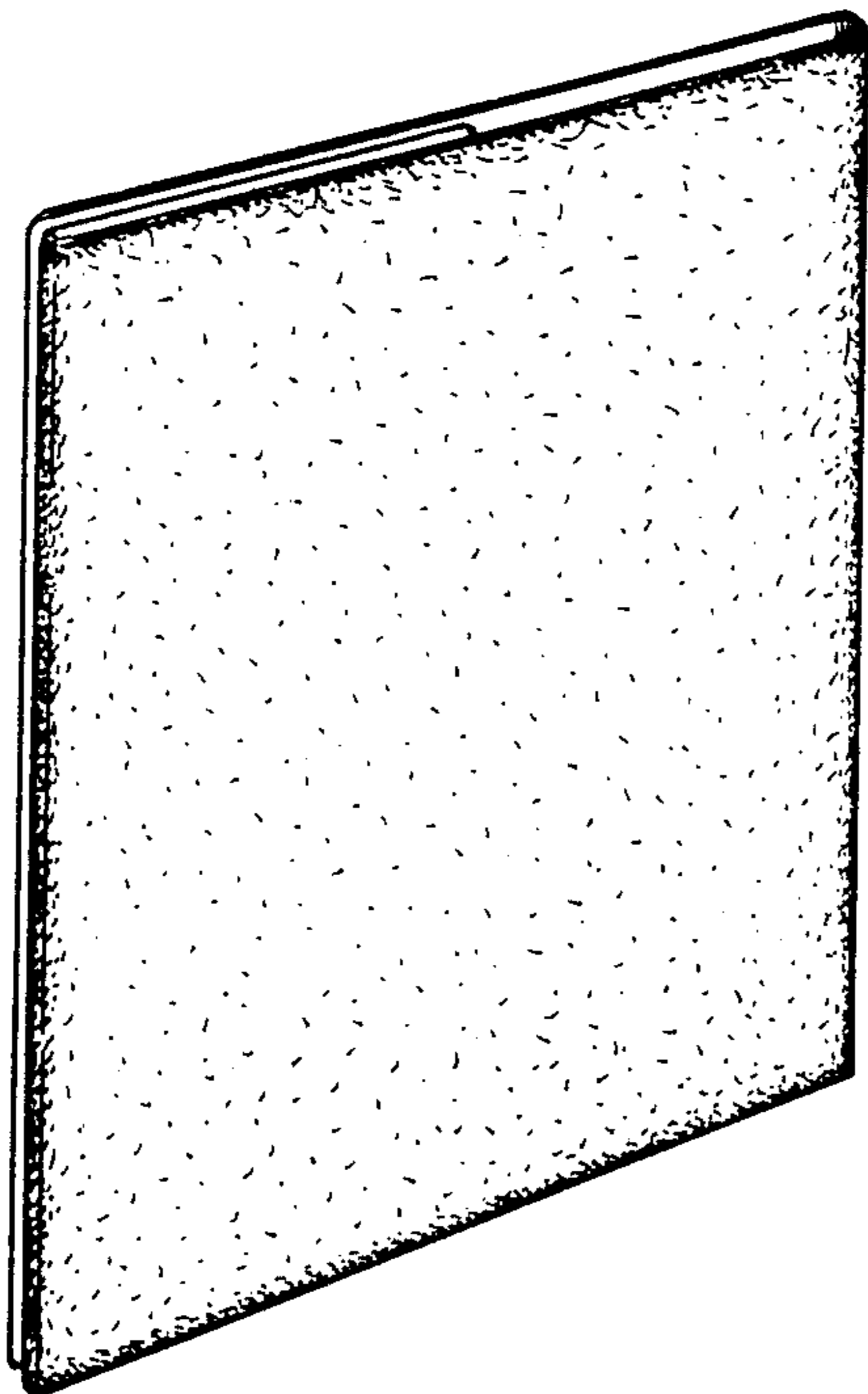


FIG. 1.

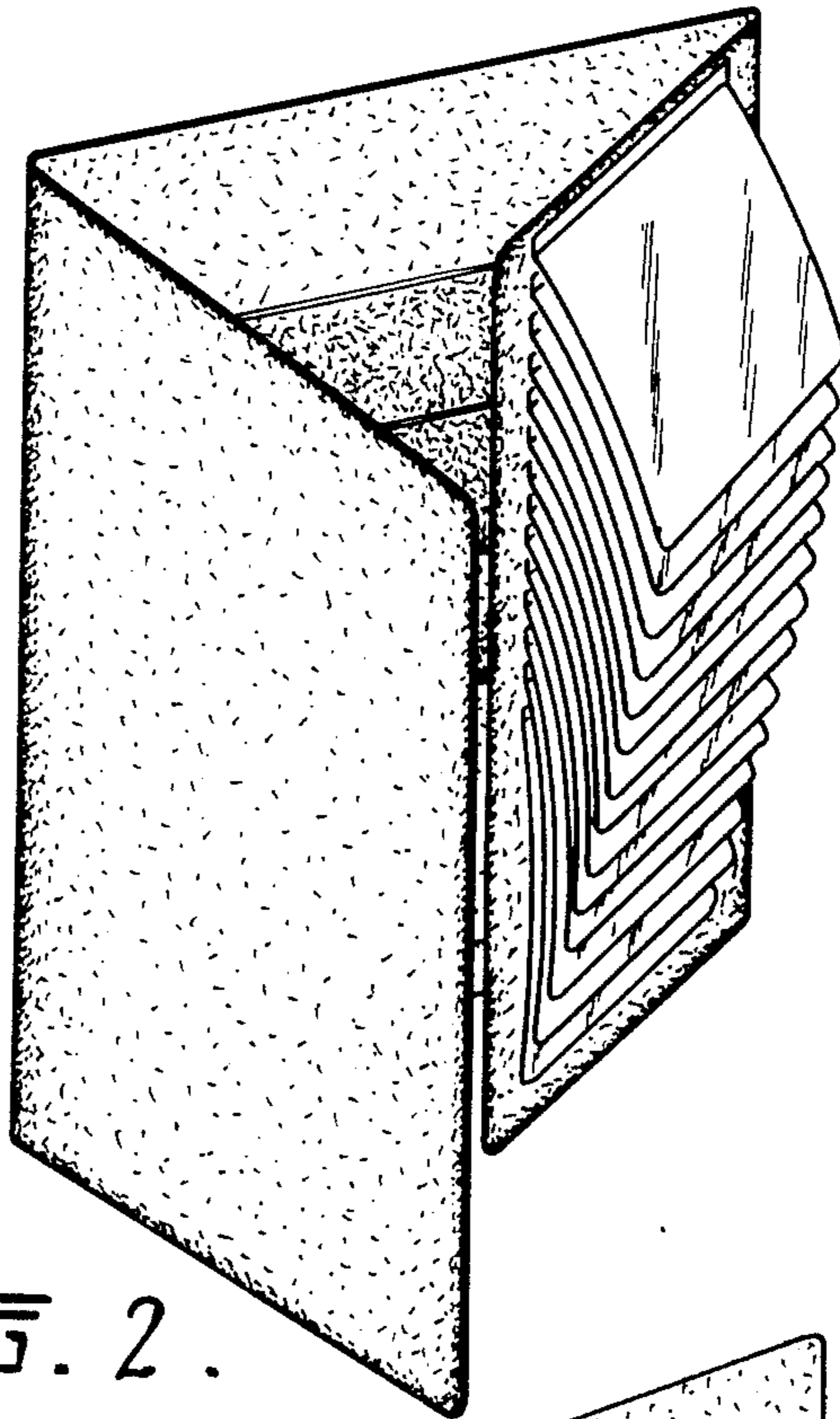


FIG. 2.

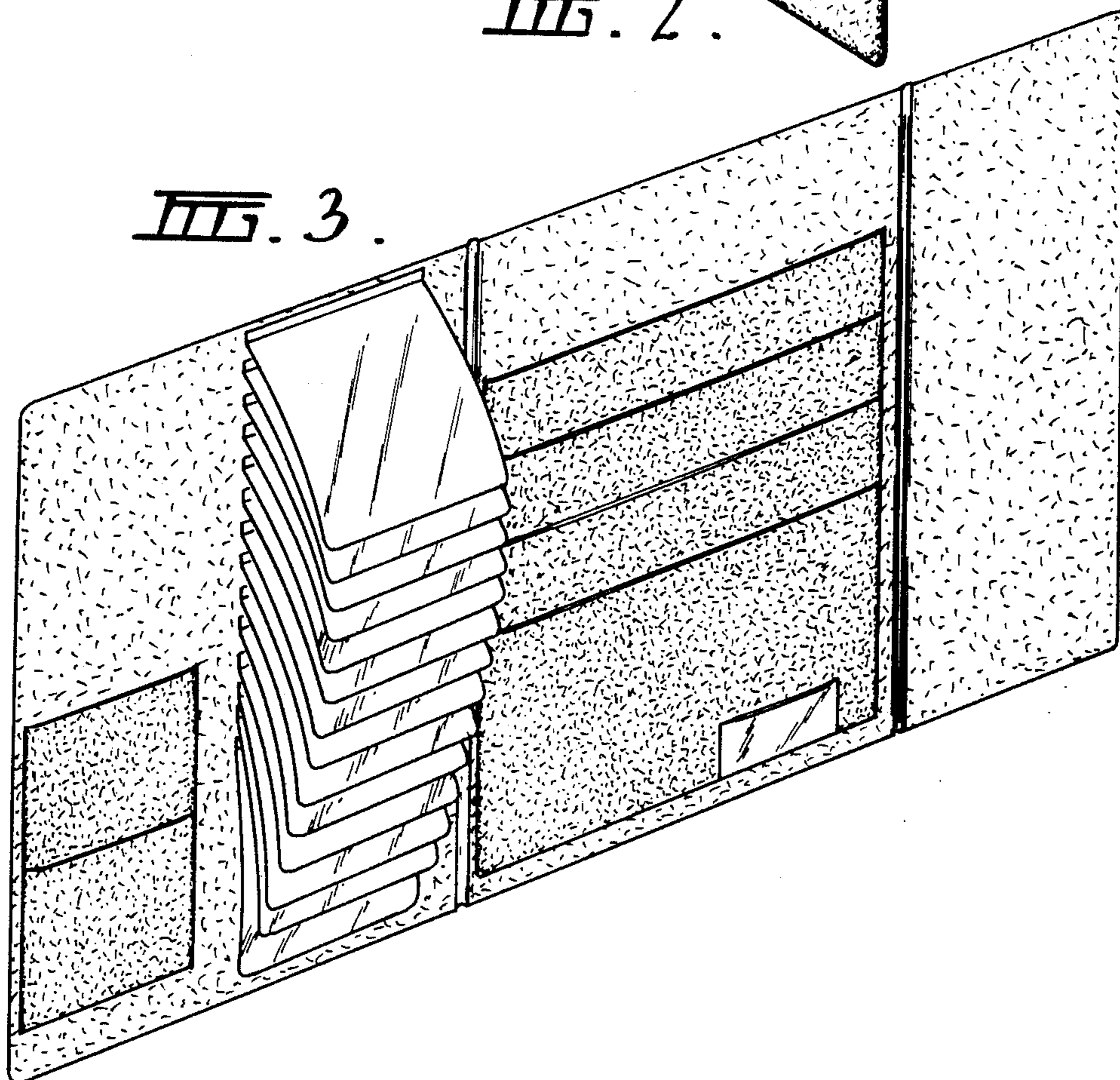


FIG. 3.