

[54] PRESS

[76] Inventor: Leon L. Douglas, 407 Lakeside Rd., Wynnewood, Pa. 19096

[**] Term: 14 Years

[21] Appl. No.: 767,054

[22] Filed: Feb. 9, 1977

[51] Int. Cl. D18-02
[52] U.S. Cl. D15/146; D64/10.1
[58] Field of Search D15/146, 145, 144, 123; 156/583; 101/9, 10, 27; D64/10.1

[56] References Cited

U.S. PATENT DOCUMENTS

D. 198,473 6/1964 Finke D15/146
3,992,988 11/1976 Dwyer 101/9

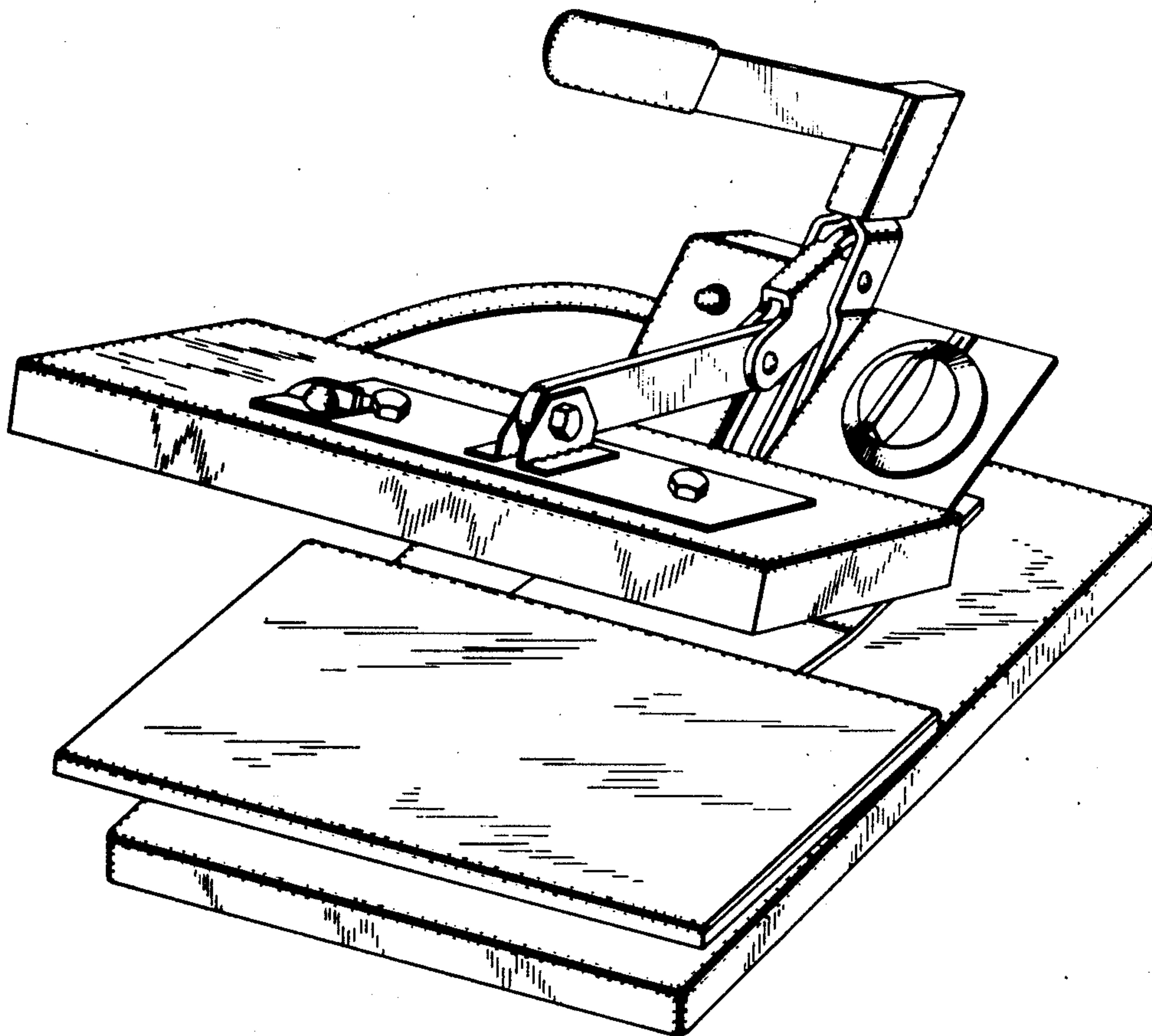
Primary Examiner—Alan P. Douglas
Attorney, Agent, or Firm—Robert S. Lipton

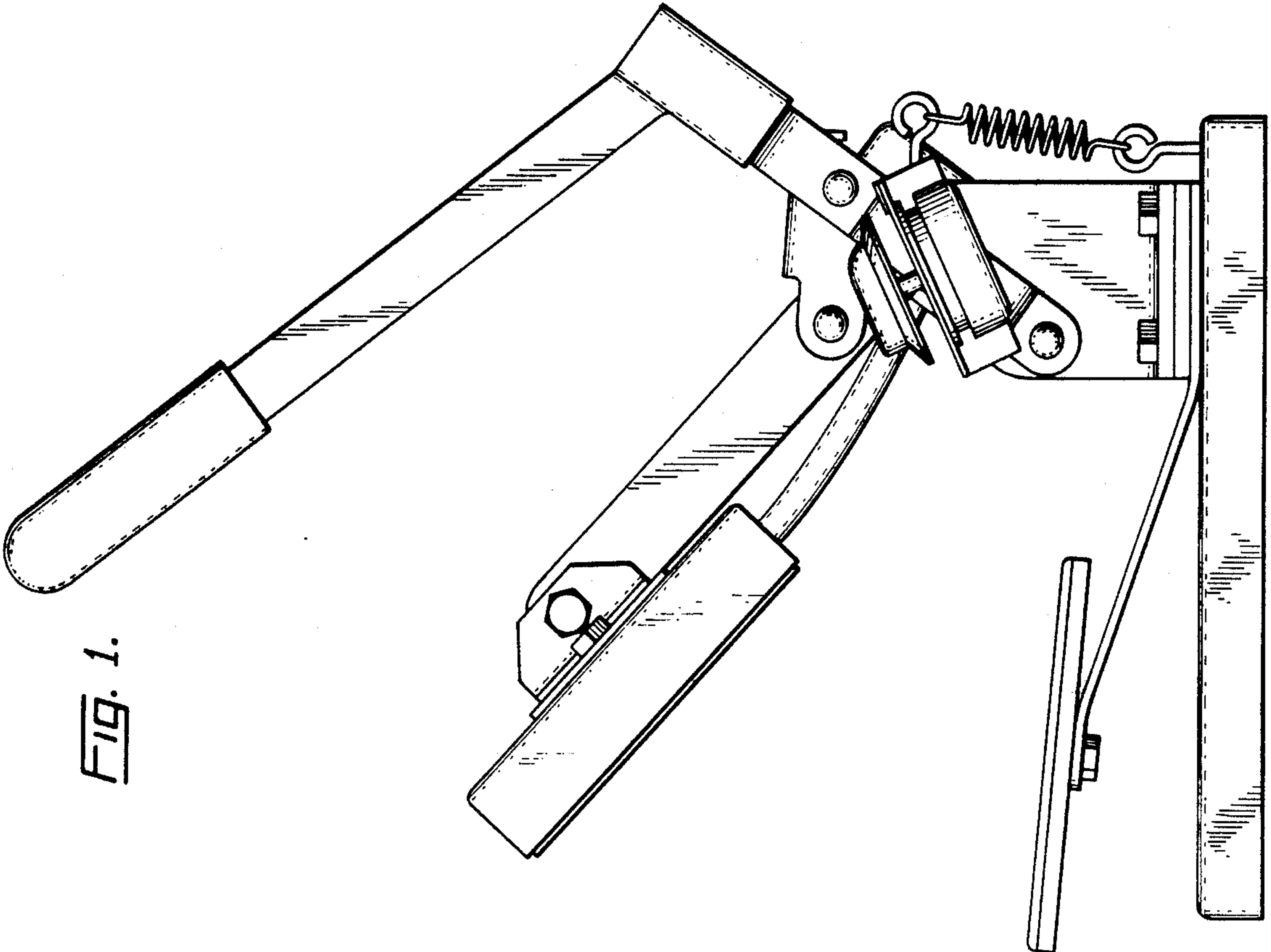
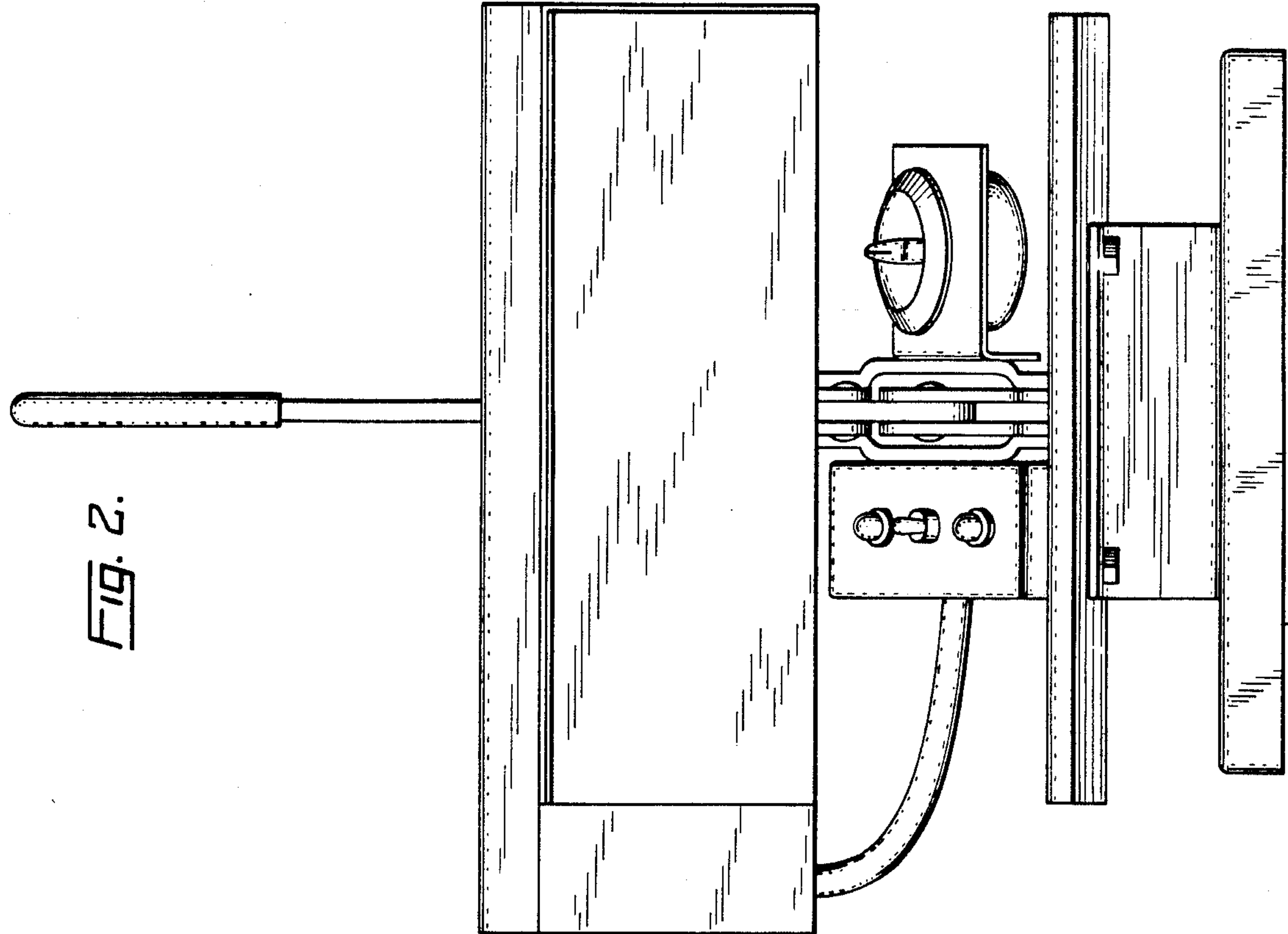
[57] CLAIM

The ornamental design for the press, is substantially as shown and described.

DESCRIPTION

FIG. 1 is a right side elevation view of the press;
FIG. 2 is a front elevation view of the press;
FIG. 3 is a left side elevation view of the press;
FIG. 4 is a rear elevation view of the press;
FIG. 5 is a perspective view of the press.





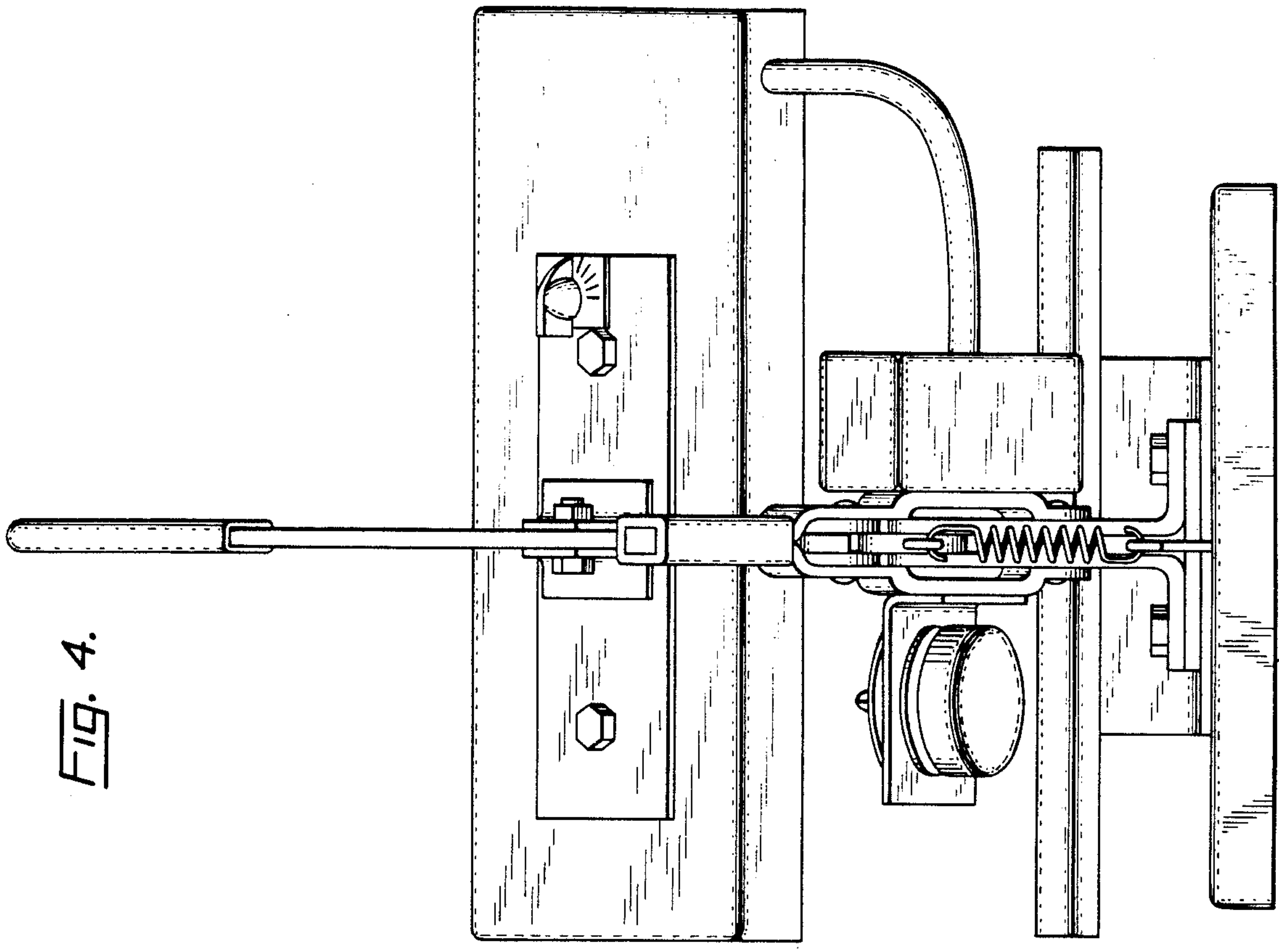


FIG. 4.

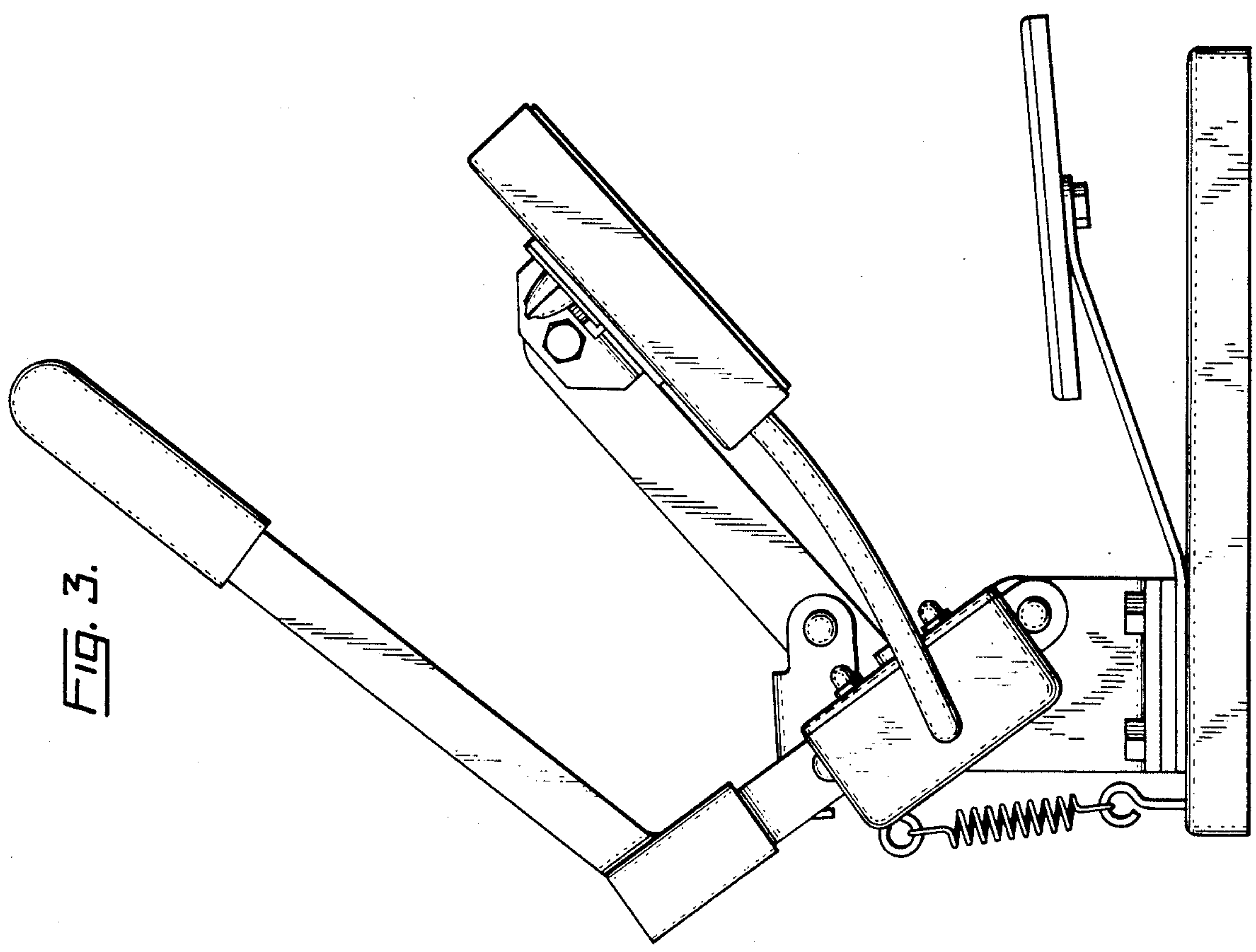


FIG. 3.

FIG. 5.

