

[54] CONTROL DESK

[75] Inventors: Hartmut Esslinger; Andreas Haug; Georg Spreng, all of Altensteig, Fed. Rep. of Germany

[73] Assignees: Diehl Datensysteme GmbH, Nuremberg; CTM Computertechnik Müller GmbH, Constance, both of Fed. Rep. of Germany

[**] Term: 7 Years

[21] Appl. No.: 825,842

[22] Filed: Aug. 18, 1977

[30] Foreign Application Priority Data

Mar. 14, 1977 [DE] Fed. Rep. of Germany 11828

[51] Int. Cl. D14-02; D13-03

[52] U.S. Cl. D14/44; D13/12

[58] Field of Search D14/40, 42, 43, 44, D14/45, 50; D64/11 R, 11 B; D13/12, 40; 361/334, 380, 390; 174/52 R

[56] References Cited

U.S. PATENT DOCUMENTS

D. 187,922	5/1960	Woods et al.	D13/12
D. 236,484	8/1975	Clayton	D14/44
D. 239,030	3/1976	Genaro et al.	D14/43

OTHER PUBLICATIONS

Ingersoll Products flyer, rec'd. 5-1964, "Emcor" Standard system enclosure #5.

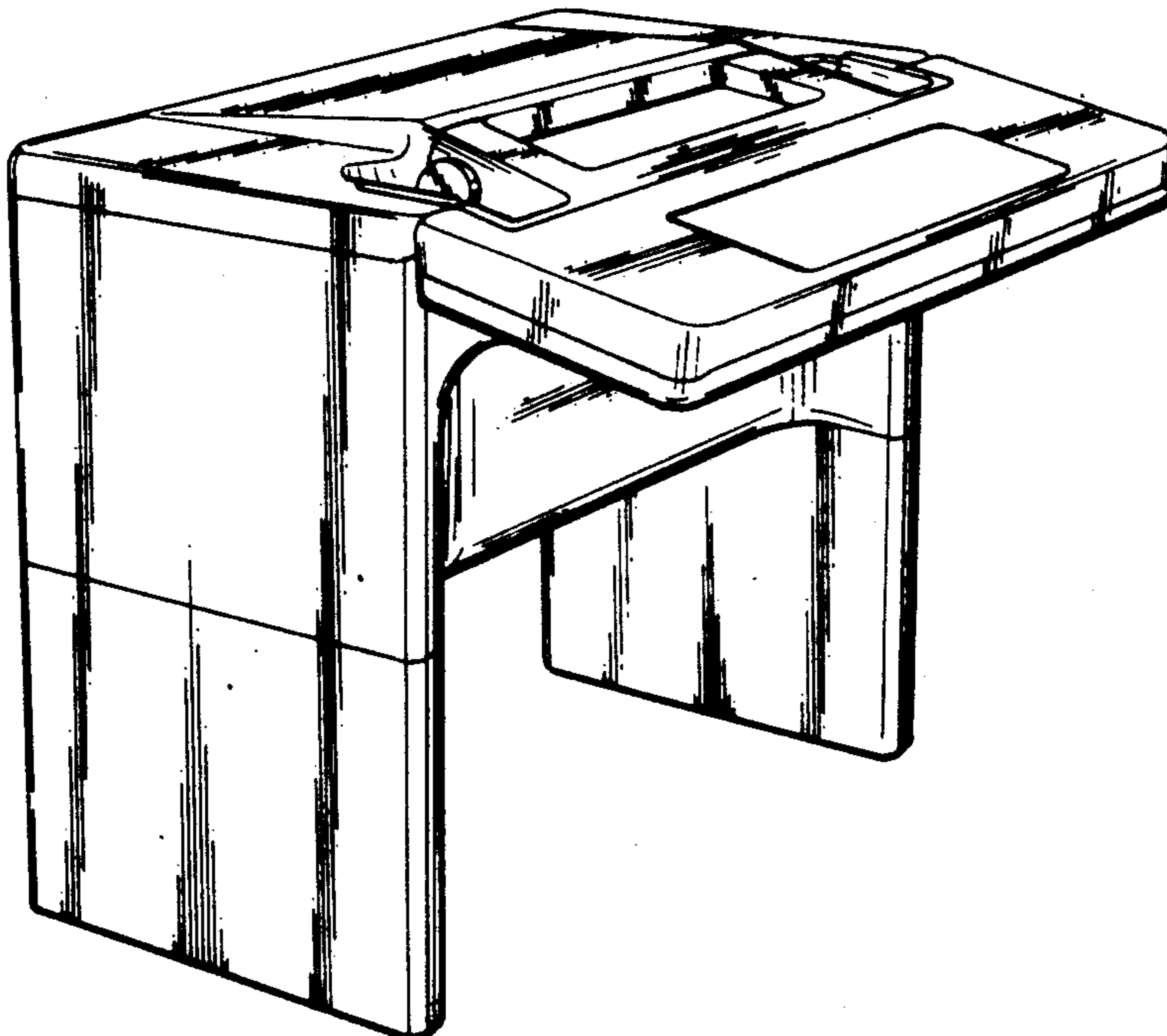
Primary Examiner—Susan J. Lucas
Attorney, Agent, or Firm—John F. Scully

[57] CLAIM

The ornamental design for a control desk, as shown and described.

DESCRIPTION

FIG. 1 is a perspective view of the control desk showing our new design;
FIG. 2 is a right side elevational view, the left side being substantially a mirror-image thereof;
FIG. 3 is a top plan view;
FIG. 4 is a front elevational view;
FIG. 5 is a rear elevational view; and
FIG. 6 is a bottom plan view.



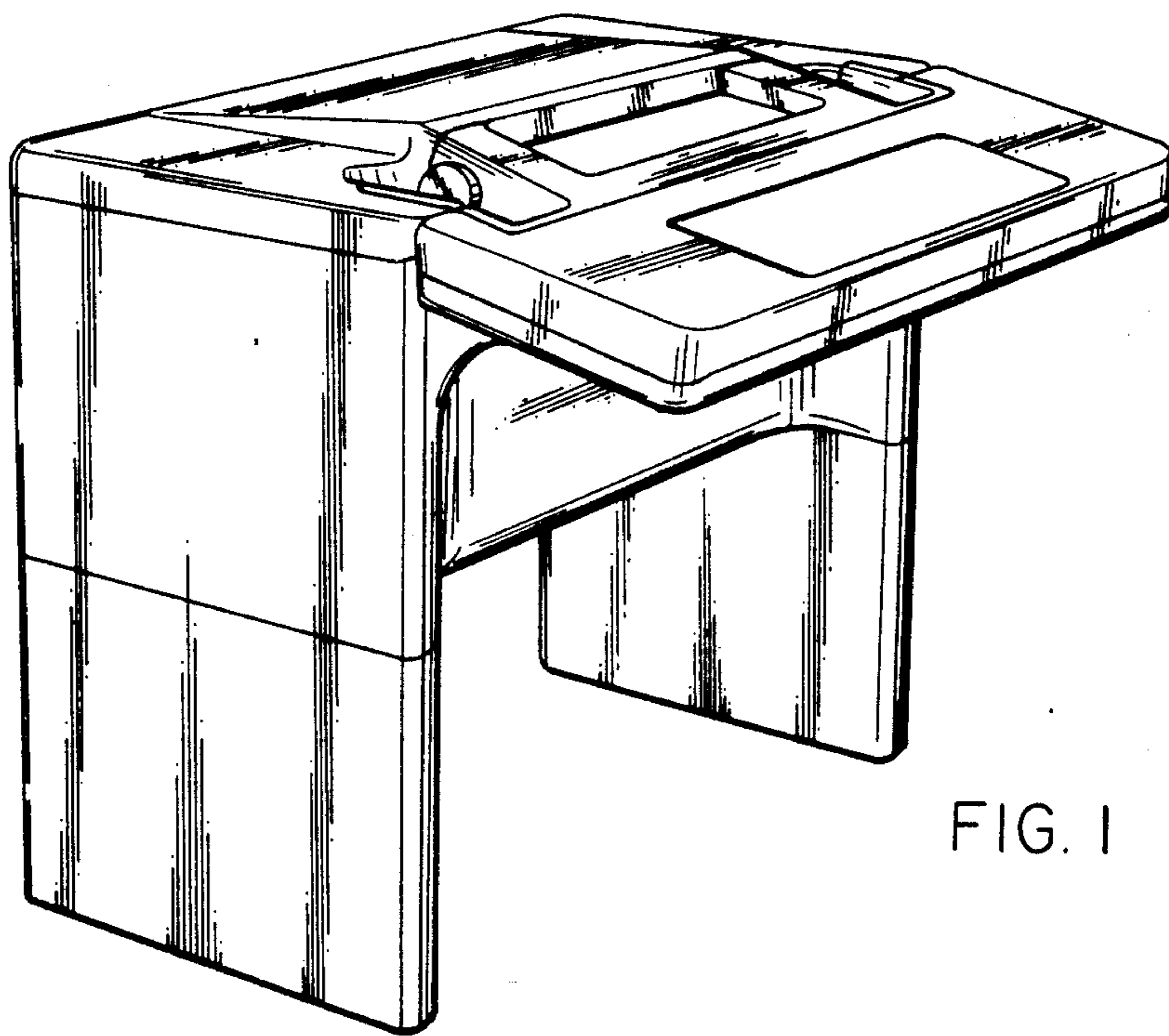


FIG. 1

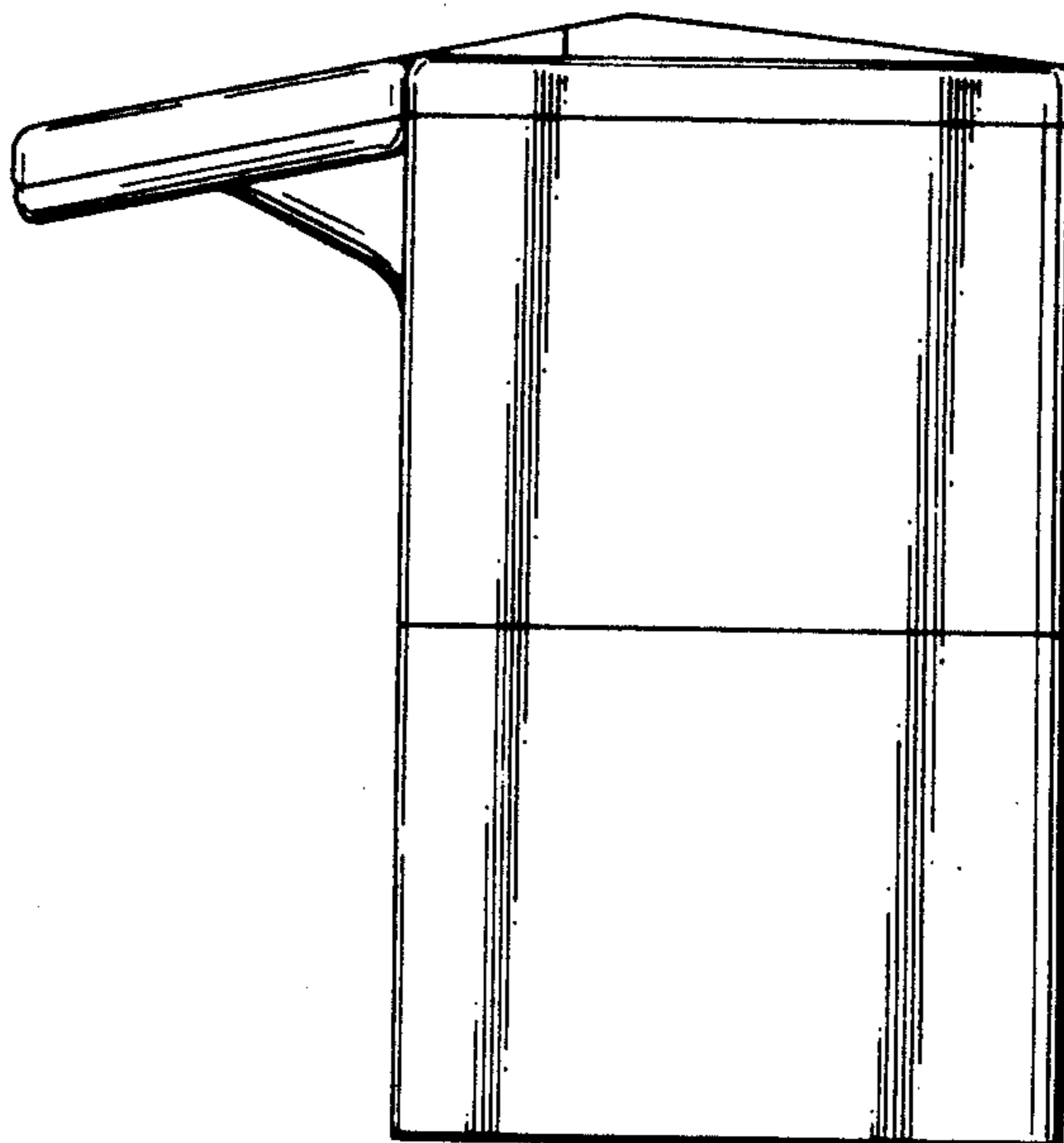


FIG. 2

FIG. 3

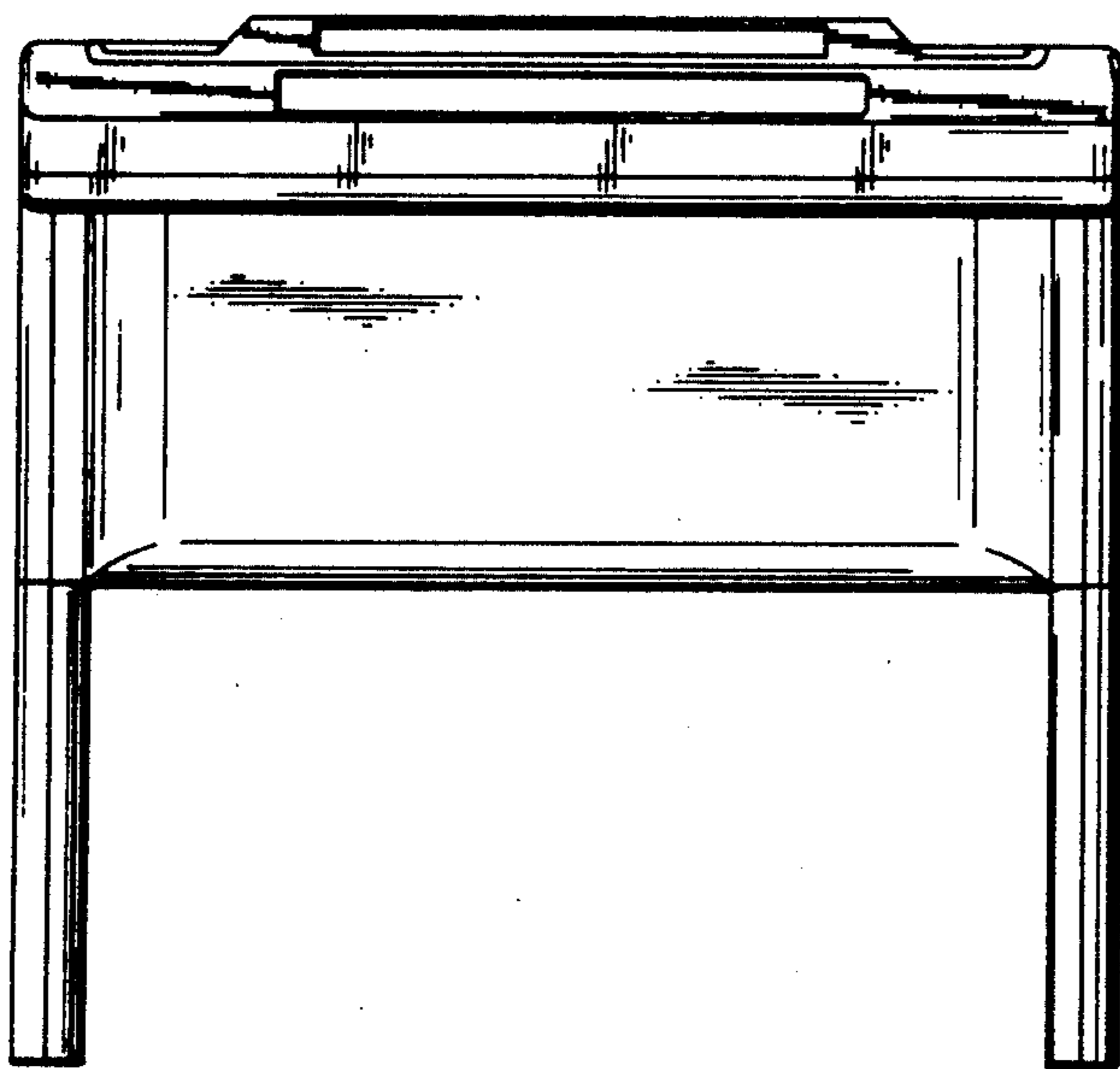
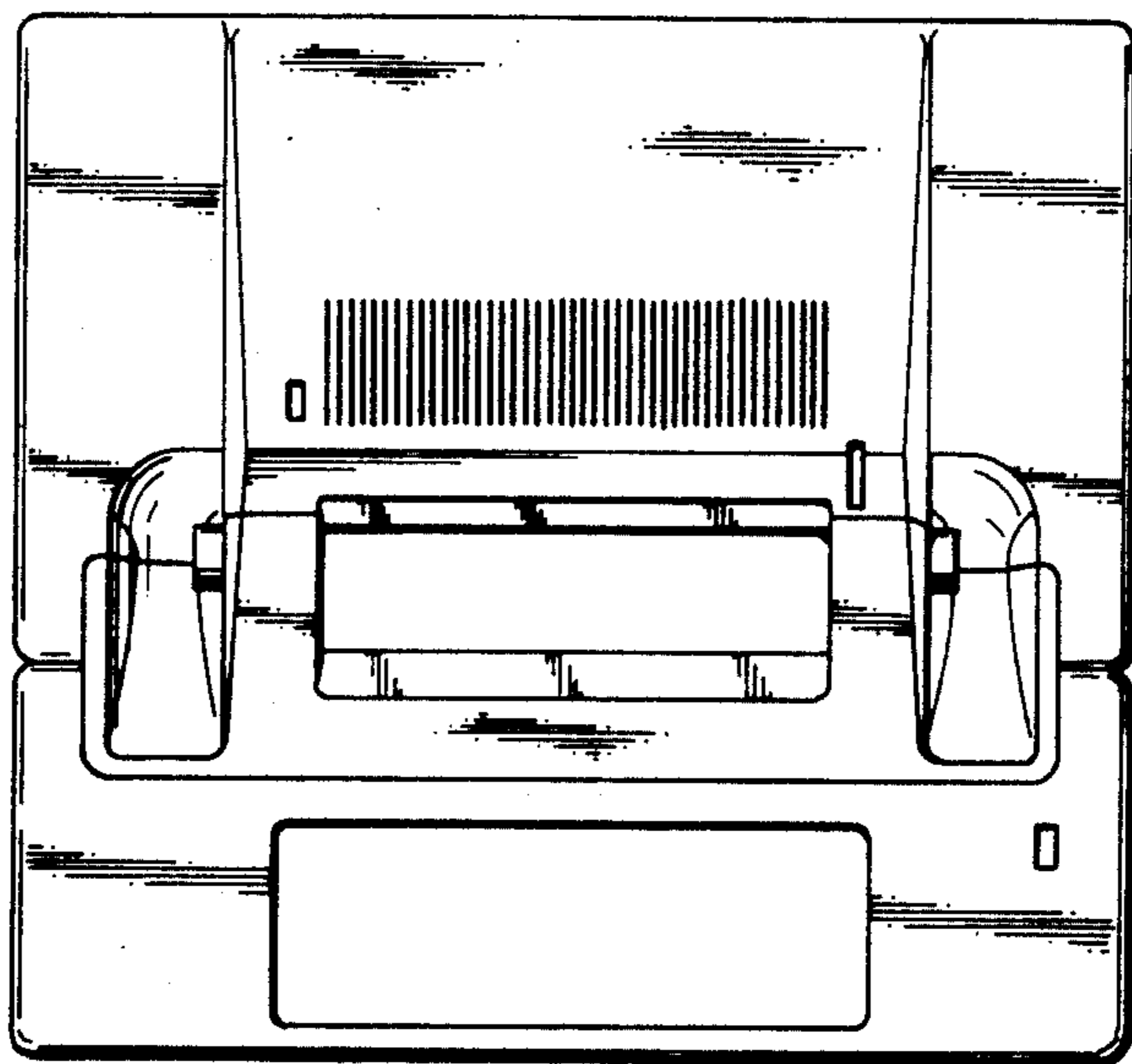


FIG. 4

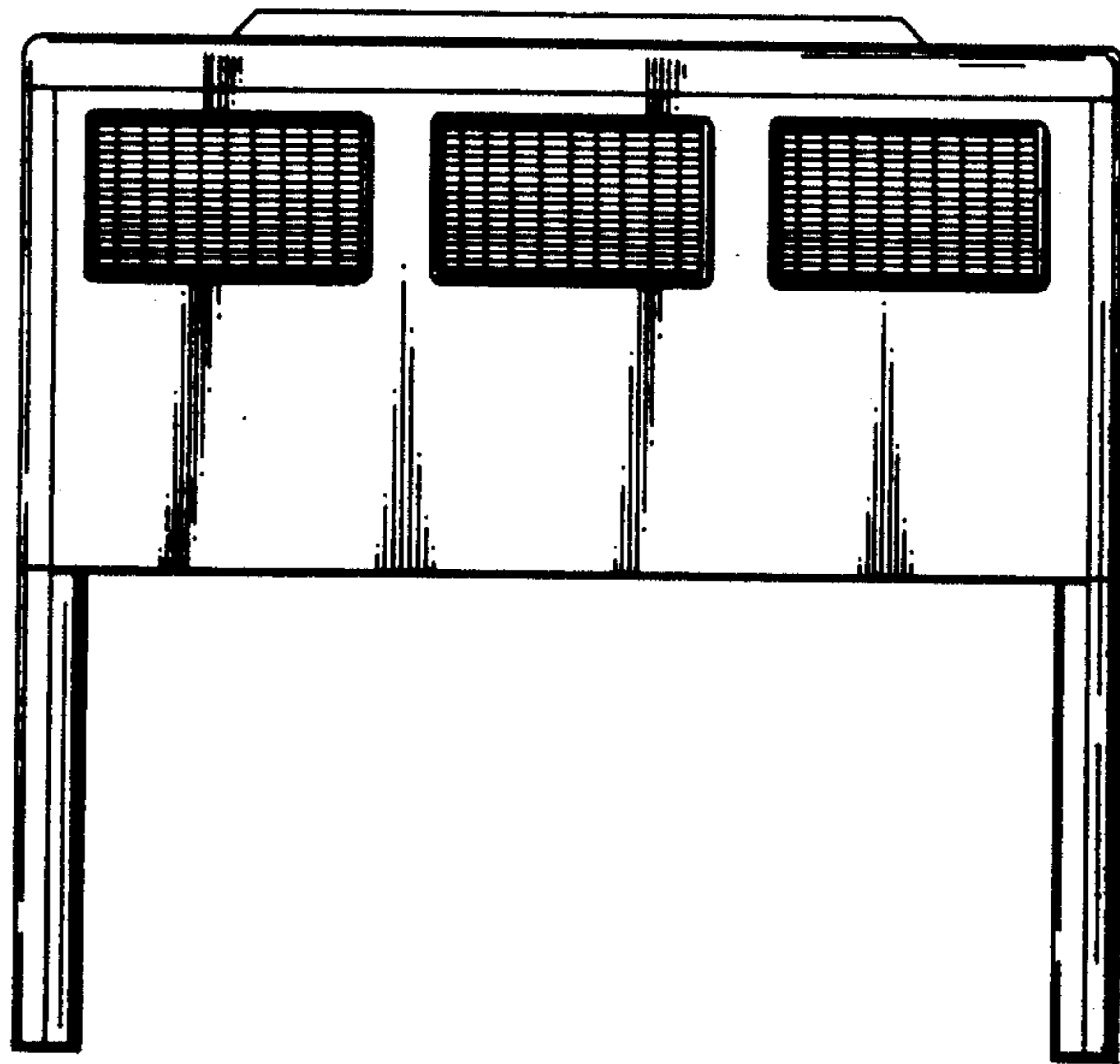


FIG. 5

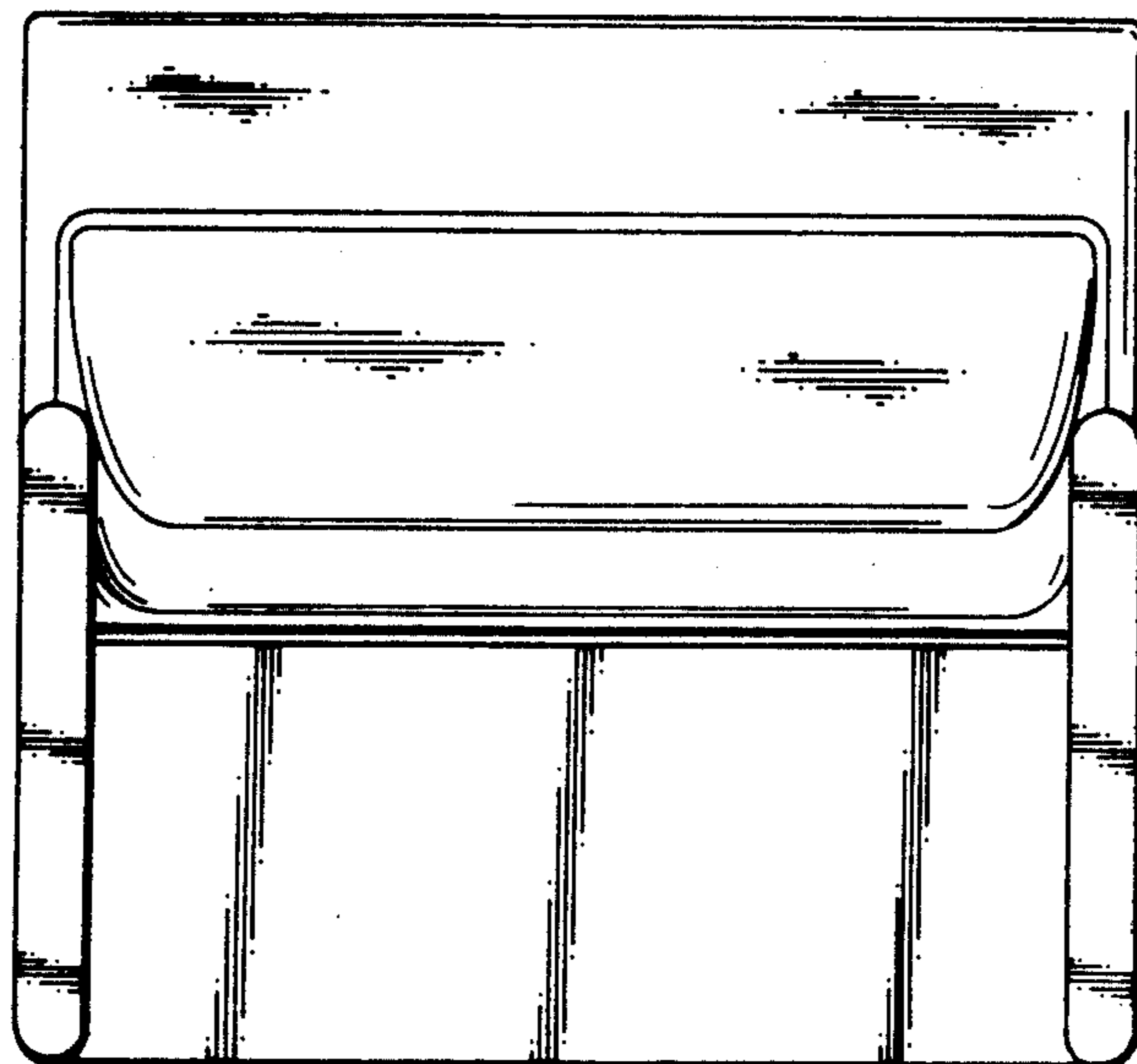


FIG. 6