

[54] RECORD TURNTABLE

[75] Inventor: Tiarko Meunier, Mennecy (Essonne), France

[73] Assignee: Thomson-Brandt, Paris, France

[**] Term: 14 Years

[21] Appl. No.: 672,480

[22] Filed: Mar. 31, 1976

[30] Foreign Application Priority Data

Dec. 16, 1975 [FR] France 74 404

[51] Int. Cl. D14-01

[52] U.S. Cl. D14/17; D14/27

[58] Field of Search D14/1, 2, 5-7, D14/14, 16, 17, 19-21, 23-25, 31-37, 39, 40, 68-77, 79-82, 84, 99, 27

[56] References Cited

U.S. PATENT DOCUMENTS

D. 220,368 3/1971 Levow D14/17

OTHER PUBLICATIONS

Home Furnishings Review, 11-17-62, p.28, BSR Turntable.

Magnavox Bk'let., form #MDM-1066, p. 16, Model #1-S101.

Home Furnishings Daily, 10-17-68, p. 27, BSR McDonald 600.

Home Furnishings Daily, 3-4-76, p. 15, "Accutrac 4000" Turntable.

Primary Examiner—Winifred E. Herrmann

Assistant Examiner—J. Corrigan

Attorney, Agent, or Firm—Edwin E. Greigg

[57] CLAIM

The ornamental design for a record turntable, as shown.

DESCRIPTION

FIG. 1 is a front, top and right side perspective view of a record turntable showing my design;

FIG. 2 is a top plan view;

FIG. 3 is a front elevational view;

FIG. 4 is a rear elevational view;

FIG. 5 is a right side elevational view.

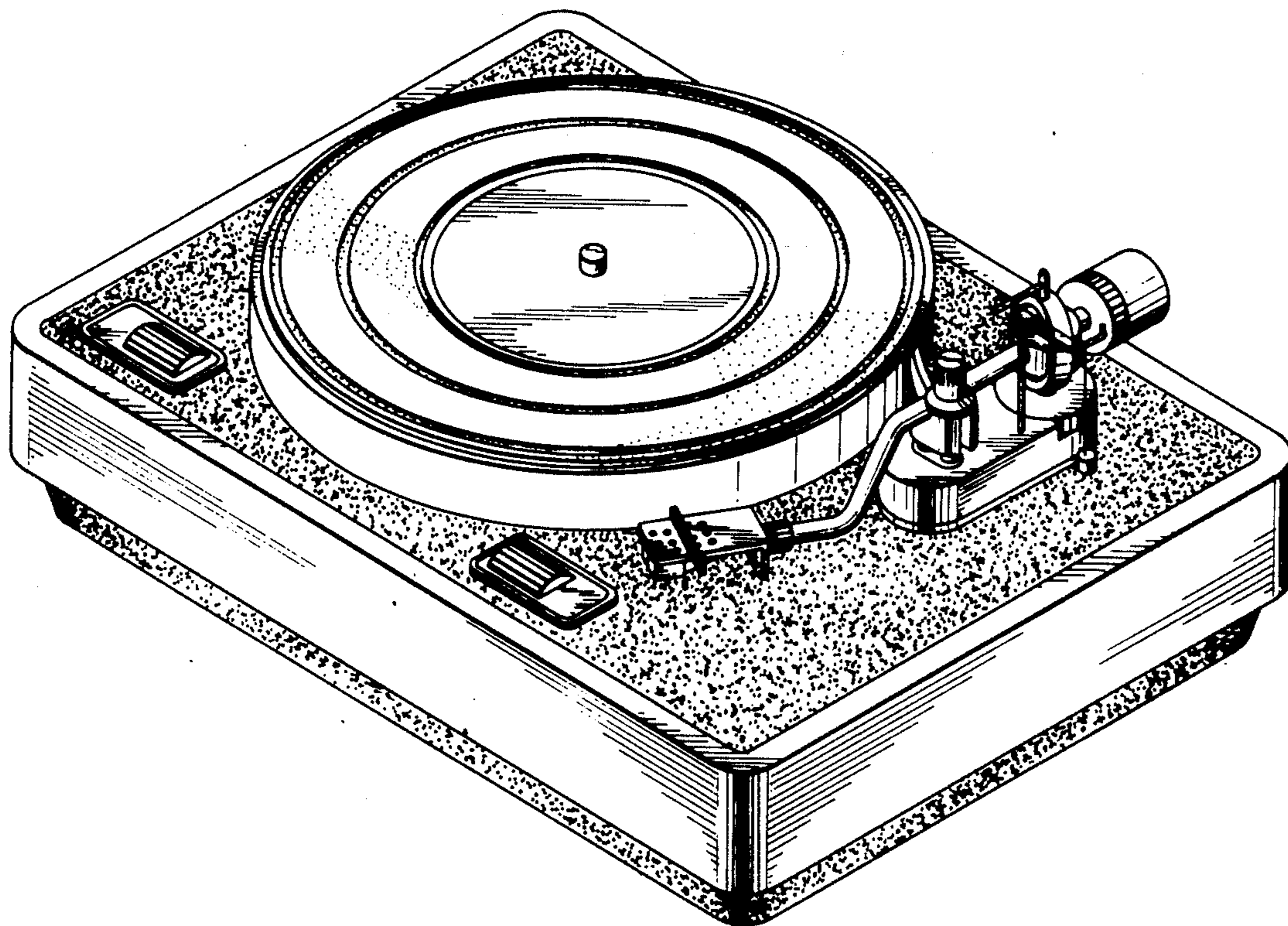


FIG. 1

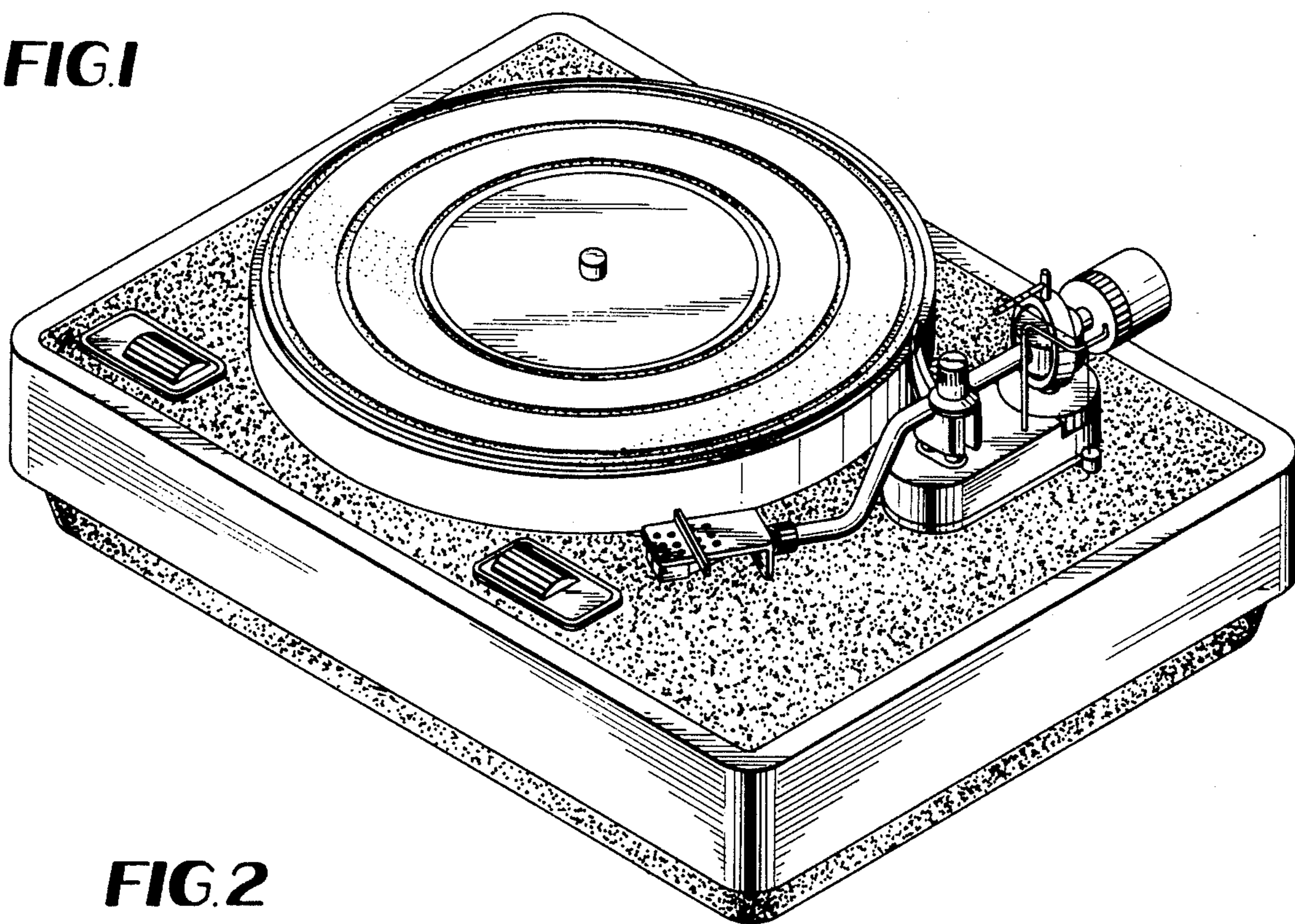


FIG. 2

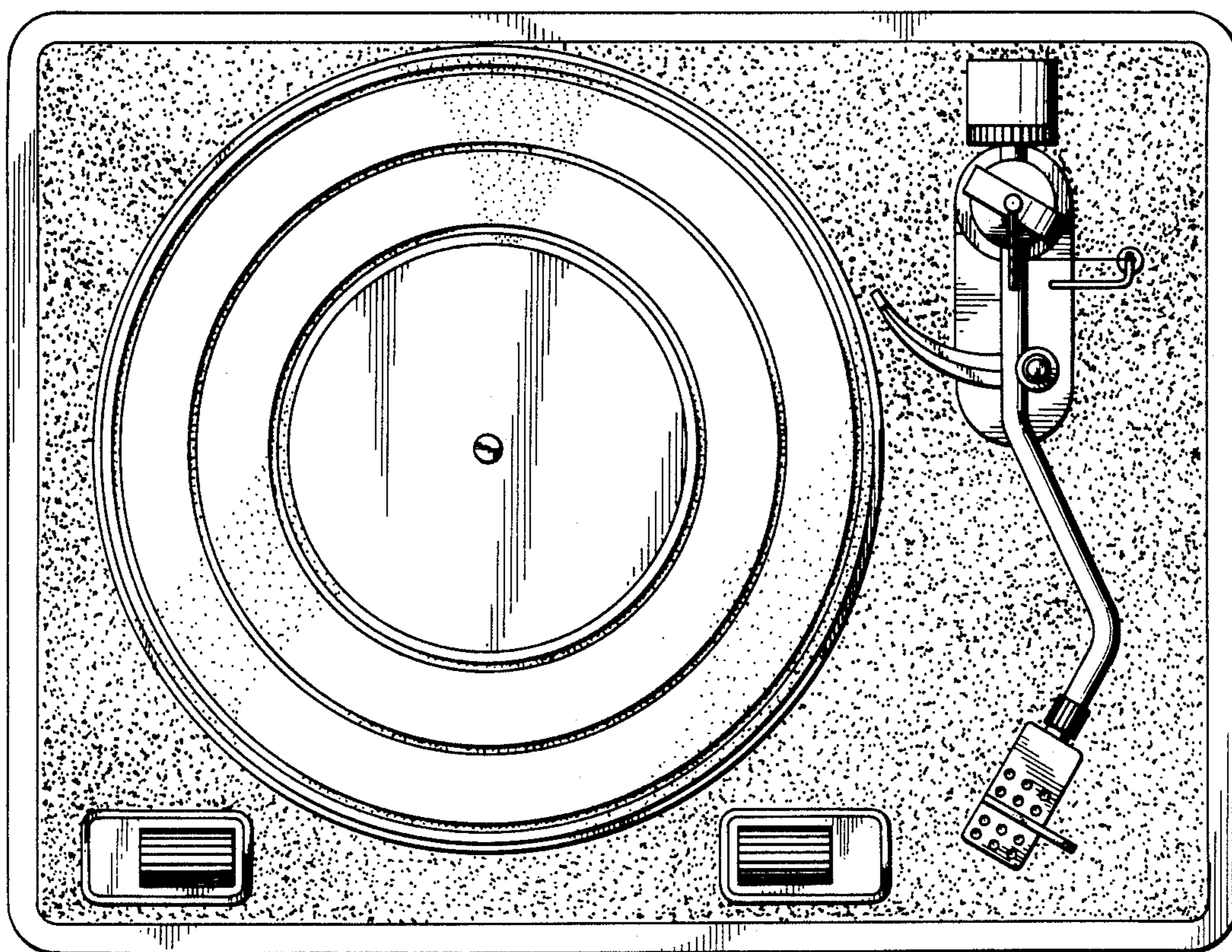


FIG. 3

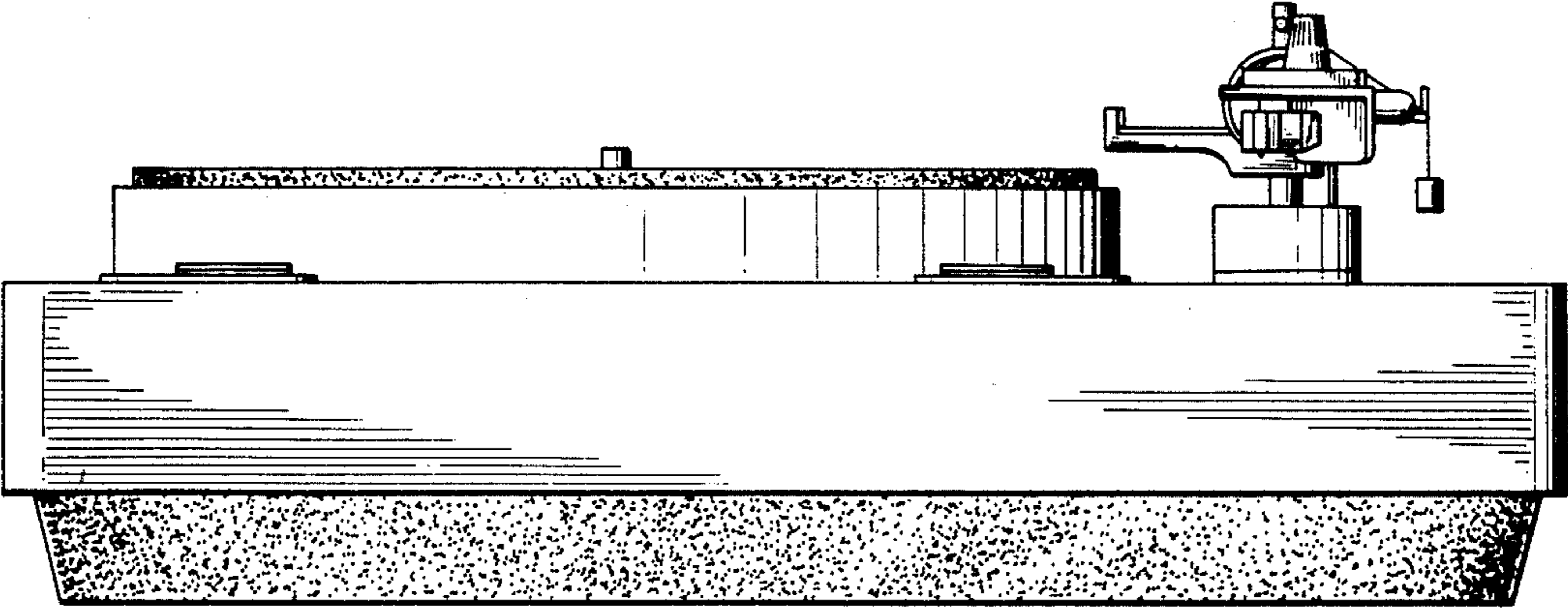


FIG. 4

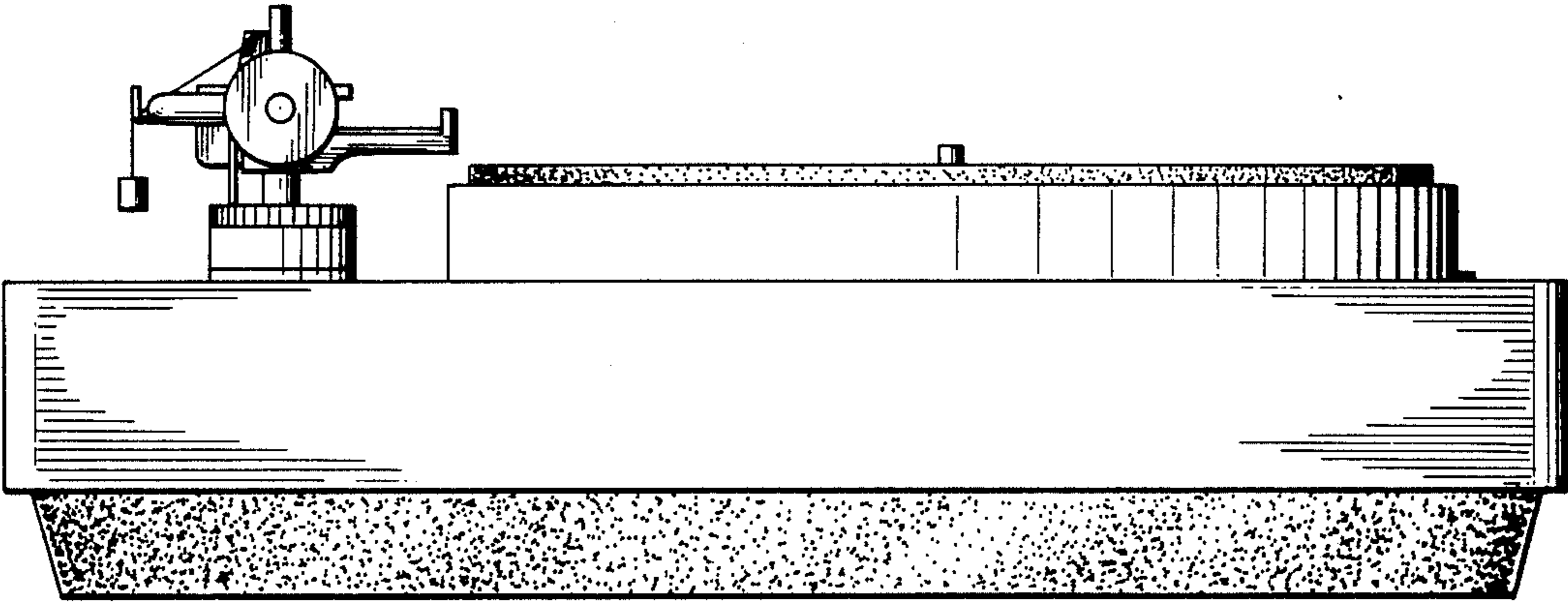


FIG. 5

