

- [54] **CART**
- [75] **Inventors:** Thea Blatzer, Lichtenfels; Wilfried Ender; Gerhard Ketnath, both of Neuensee, all of Fed. Rep. of Germany
- [73] **Assignee:** Firma Andreas Hofmann Metallwarenfabrik
- [**] **Term:** 14 Years
- [21] **Appl. No.:** 792,020
- [22] **Filed:** Apr. 28, 1977
- [51] **Int. Cl.** D12-02
- [52] **U.S. Cl.** D12/34
- [58] **Field of Search** D12/34, 32, 29; 280/47.17, 47.19, 47.27, 47.28, 79.1, 79.2

- D. 184,962 4/1959 Ress D12/34
- D. 191,102 8/1961 Troxler D12/34
- 3,774,930 11/1973 Stelniceanu D12/32

OTHER PUBLICATIONS

Washington Post, Monday 8/23/76, p. A20, Port-A-Dolly.

Primary Examiner—Wallace R. Burke
Assistant Examiner—James M. Gandy
Attorney, Agent, or Firm—Max Dressler

[57] **CLAIM**

The ornamental design for a cart, substantially as shown.

DESCRIPTION

FIG. 1 is a perspective view of a cart showing our new design, it being understood that the broken lines are for illustrative purposes only;
FIG. 2 is a side elevational view thereof to an enlarged scale; and
FIG. 3 is a front elevational view thereof to an enlarged scale.

- [56] **References Cited**
- U.S. PATENT DOCUMENTS**
- D. 169,337 4/1953 Reece D12/29

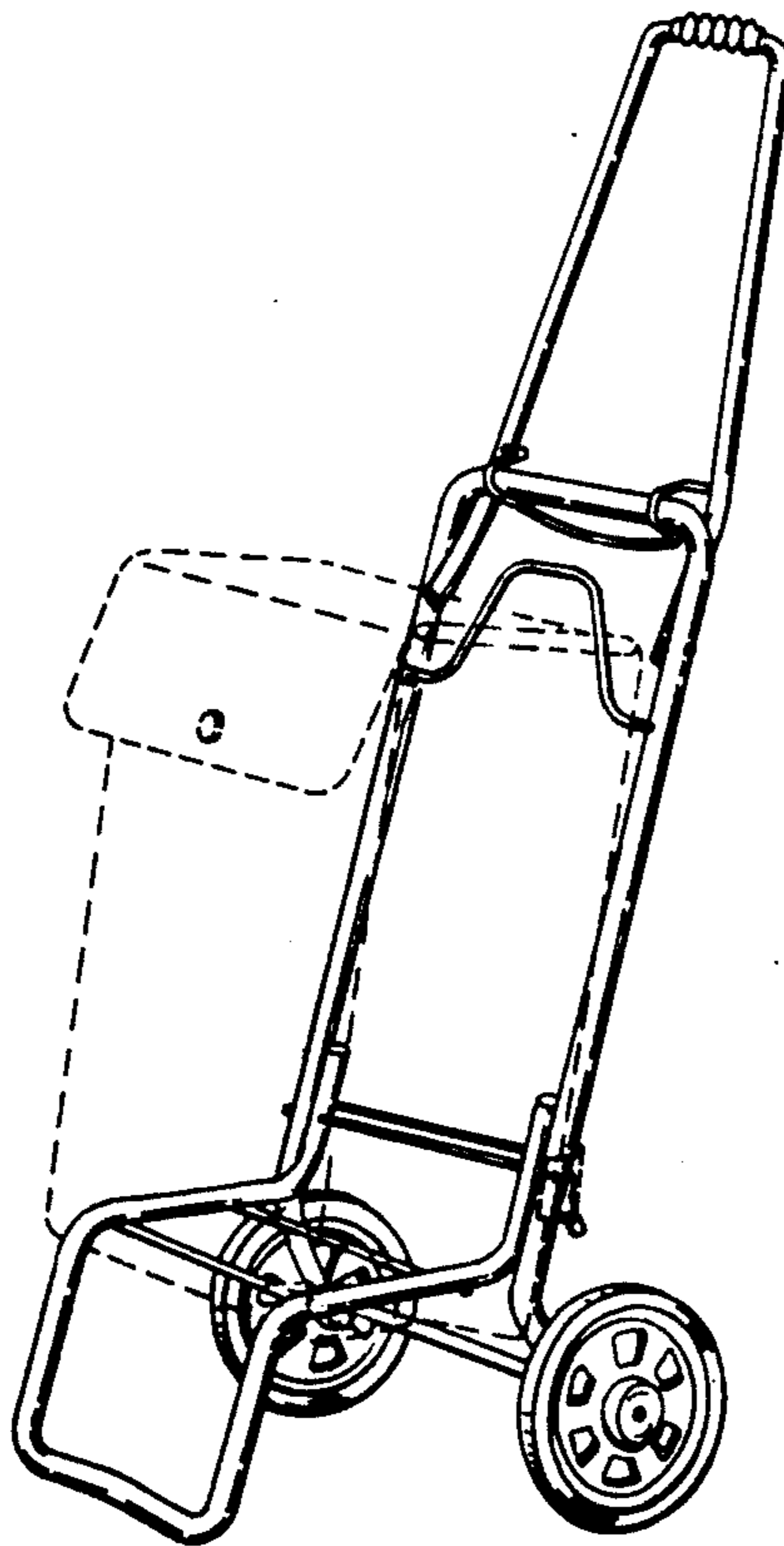


Fig. 1.

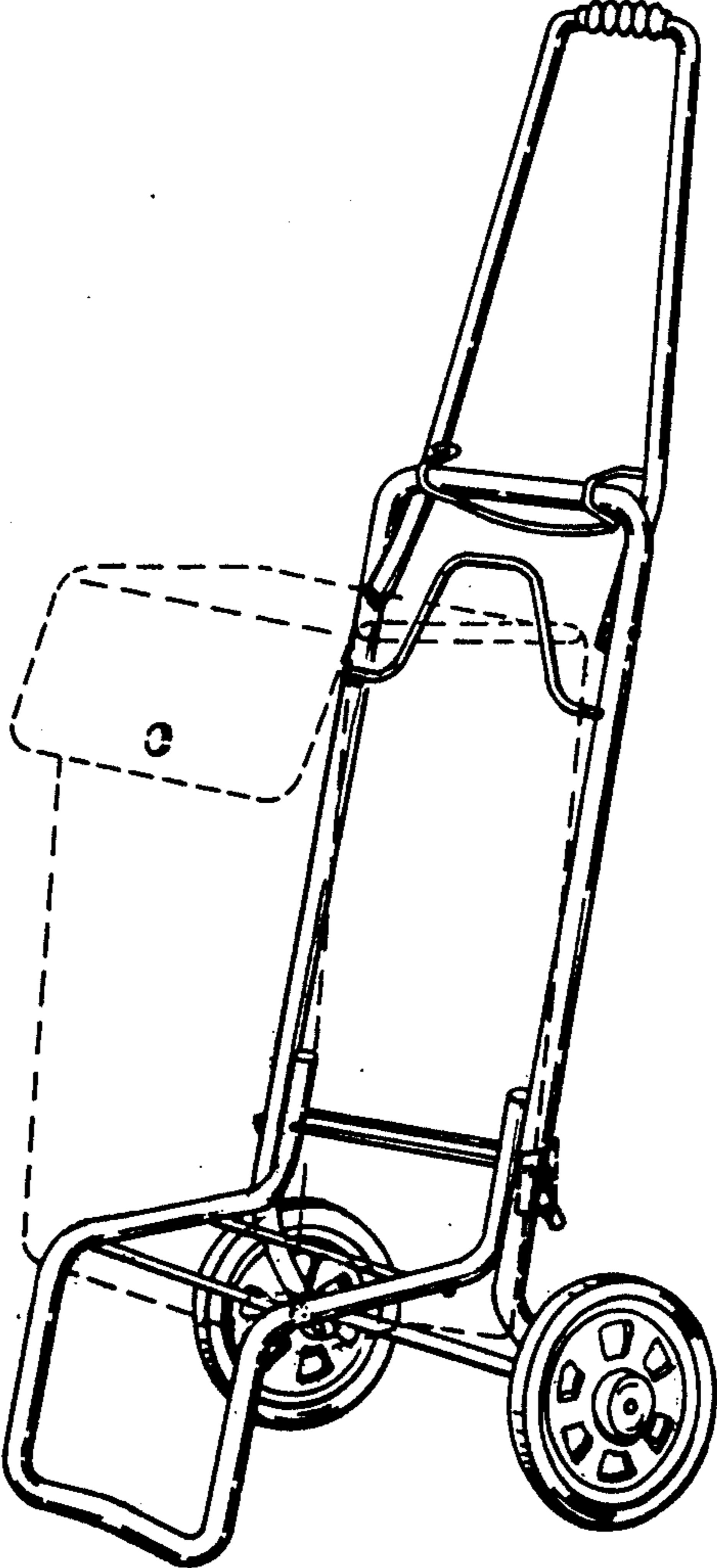


Fig. 2.

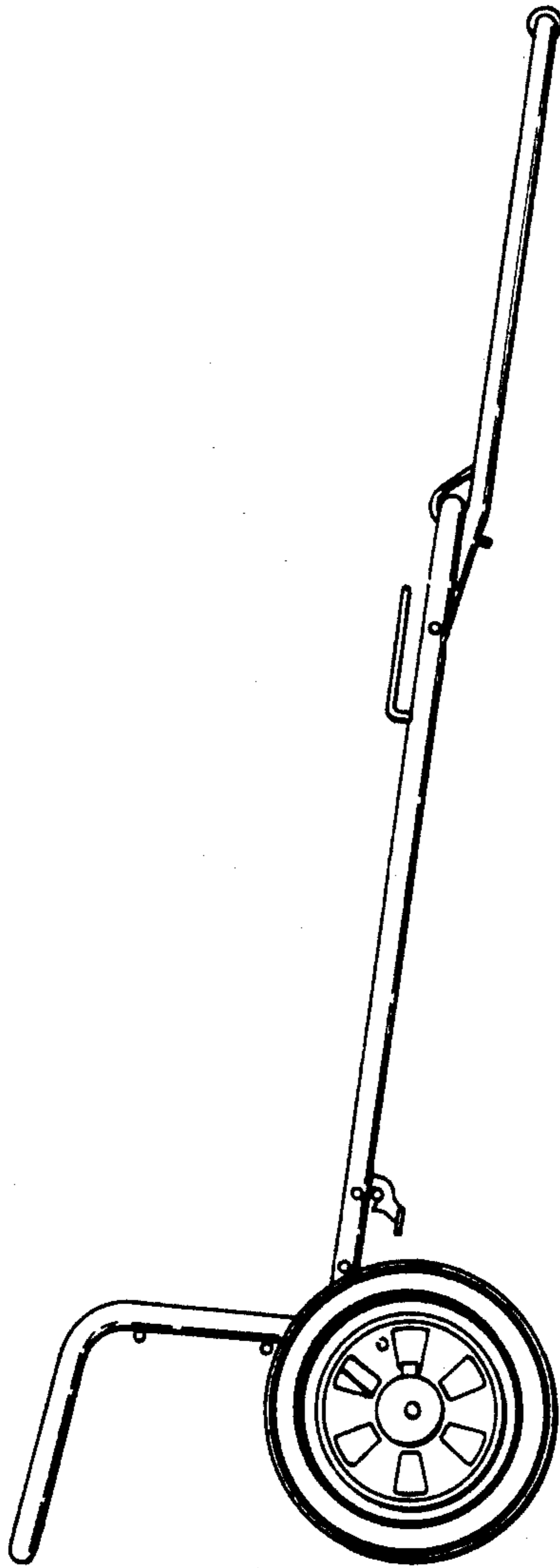


Fig. 3.

