

[54] CART

[75] Inventors: **Thea Blatzer**, Lichtenfels; **Wilfried Ender**; **Gerhard Ketnath**, both of Neuensee; **Erich Krämer**, Michelau, all of Fed. Rep. of Germany

[73] Assignee: **Andreas Hofmann Metallwarenfabriken**

[**] Term: **14 Years**

[21] Appl. No.: **789,557**

[22] Filed: **Apr. 21, 1977**

[51] Int. Cl. **D12-02**

[52] U.S. Cl. **D12/29**

[58] Field of Search **D12/25, 29, 22; D6/175; 280/47.35, 79.2; 108/59, 33; 211/133**

[56] **References Cited**

U.S. PATENT DOCUMENTS

- D. 29,245 8/1898 Thompson D12/118
- D. 99,804 5/1936 Hoffmann D12/29

OTHER PUBLICATIONS

- Office Appliances, 9/58, p. 54, Mail Cart, top right side of page.
- Best Imports Inc. Catalog, p. 7, cart, T-6264, bottom left side of page.
- House & Garden, 11/76, p. 278, Bamboo Server, top of page.
- House & Garden, 2/75, p. 7, Coffee Table, lower center of page.

Primary Examiner—Wallace R. Burke
Assistant Examiner—James M. Gandy
Attorney, Agent, or Firm—Max Dressler

[57] **CLAIM**

The ornamental design for a cart, substantially as shown.

DESCRIPTION

FIG. 1 is a perspective view of the cart showing our new design;
FIG. 2 is a top plan view thereof;
FIG. 3 is a front elevation view thereof;
FIG. 4 is a side elevation view thereof; and
FIG. 5 is a rear elevation view thereof.

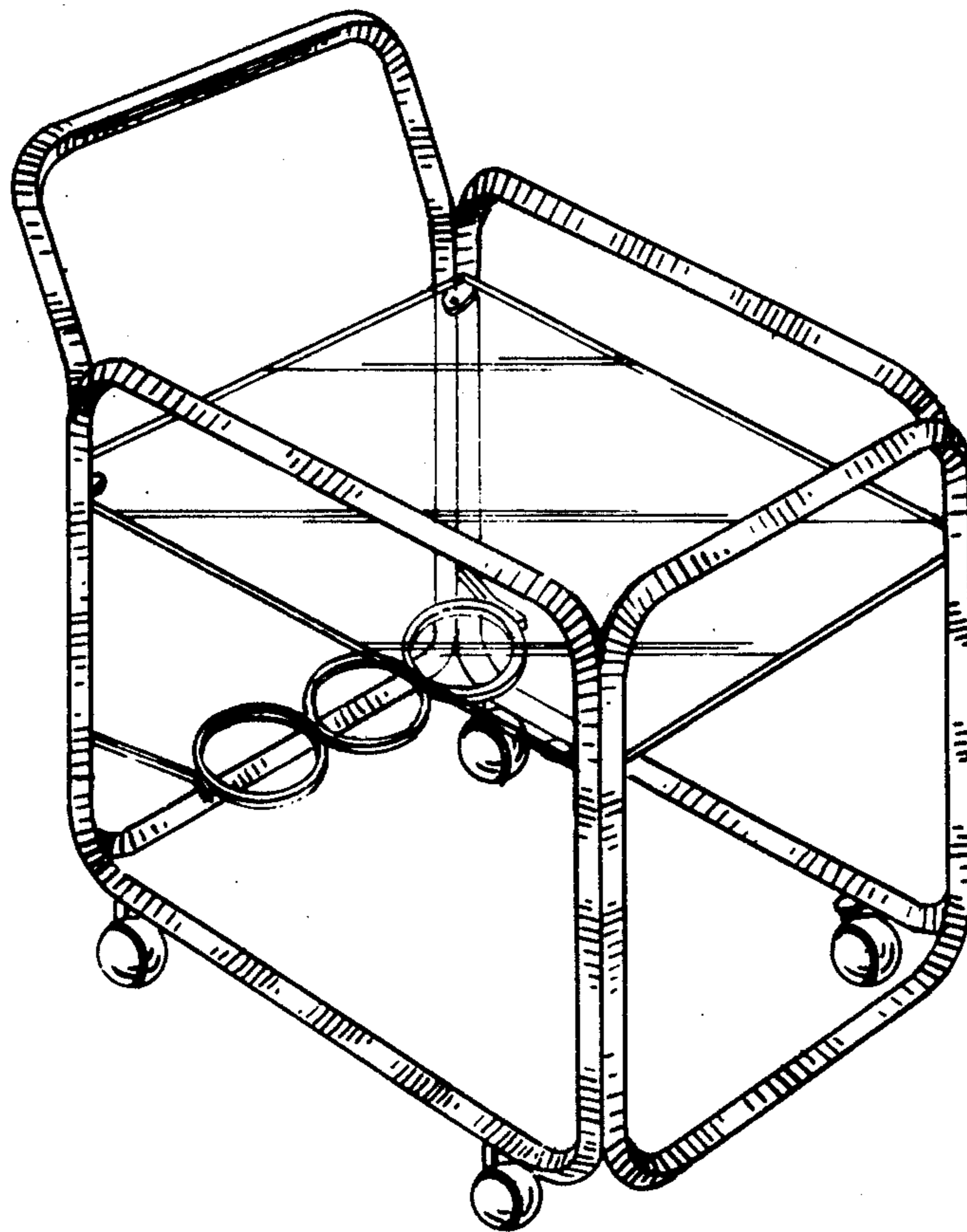


FIG. 1

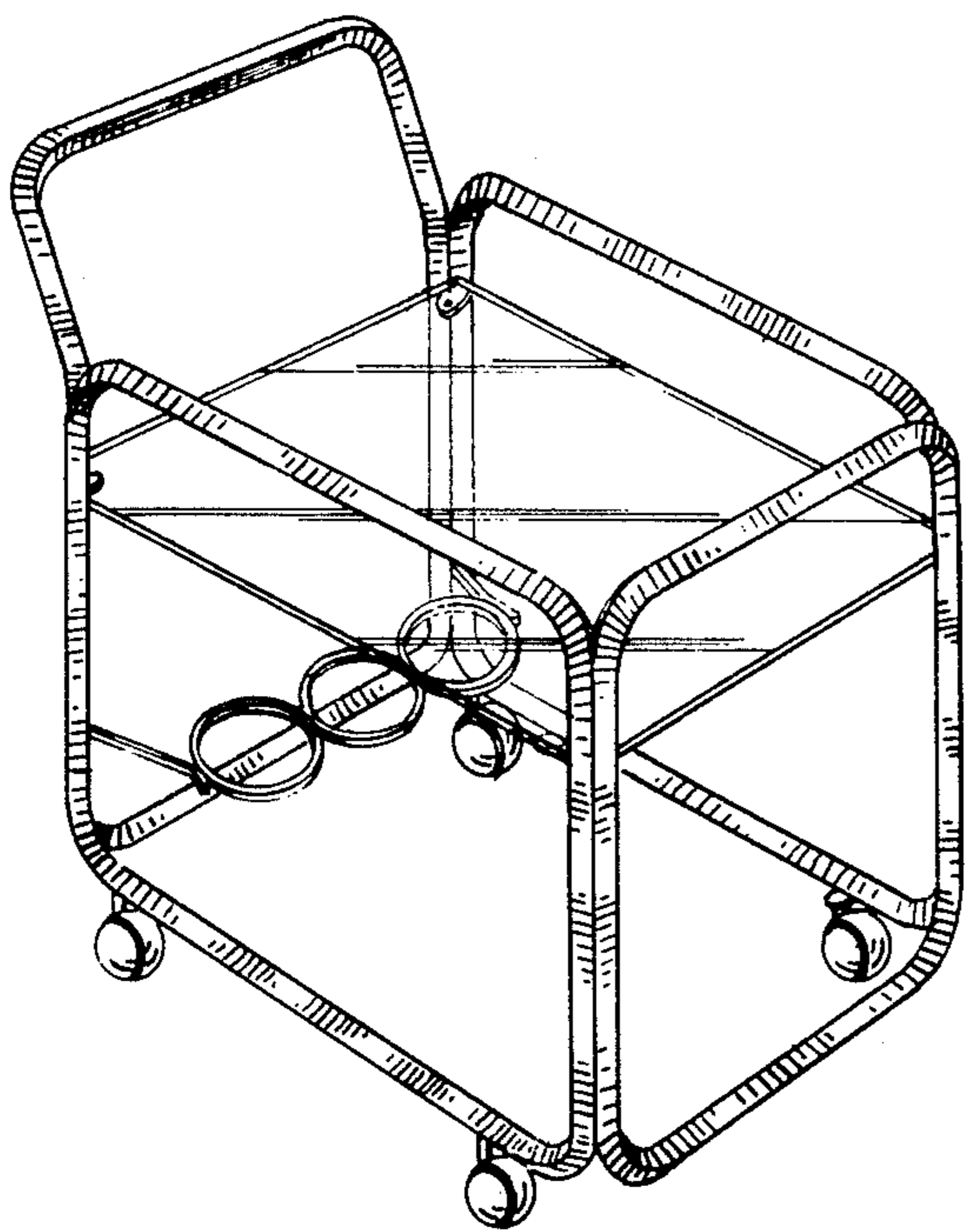


FIG. 2

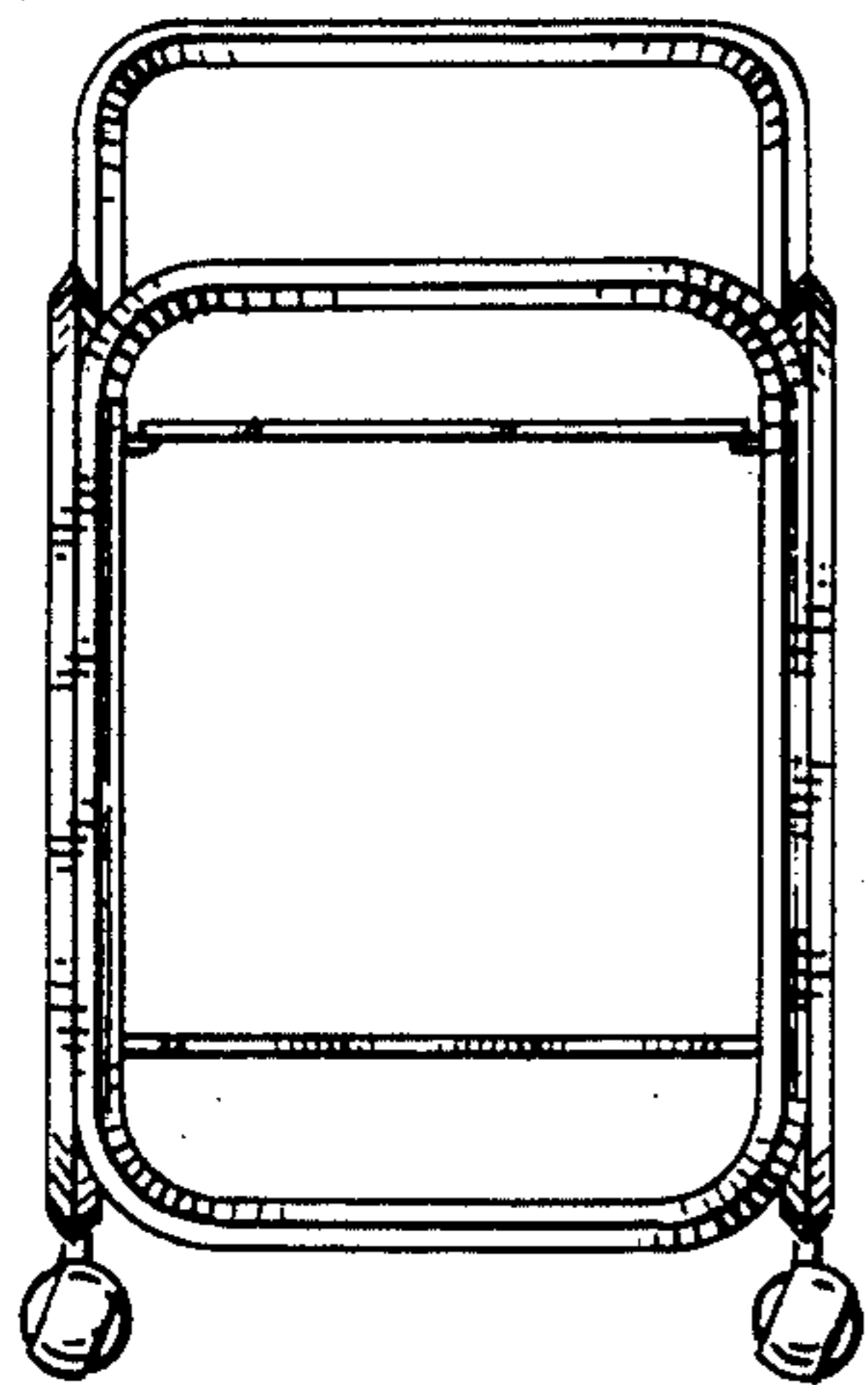
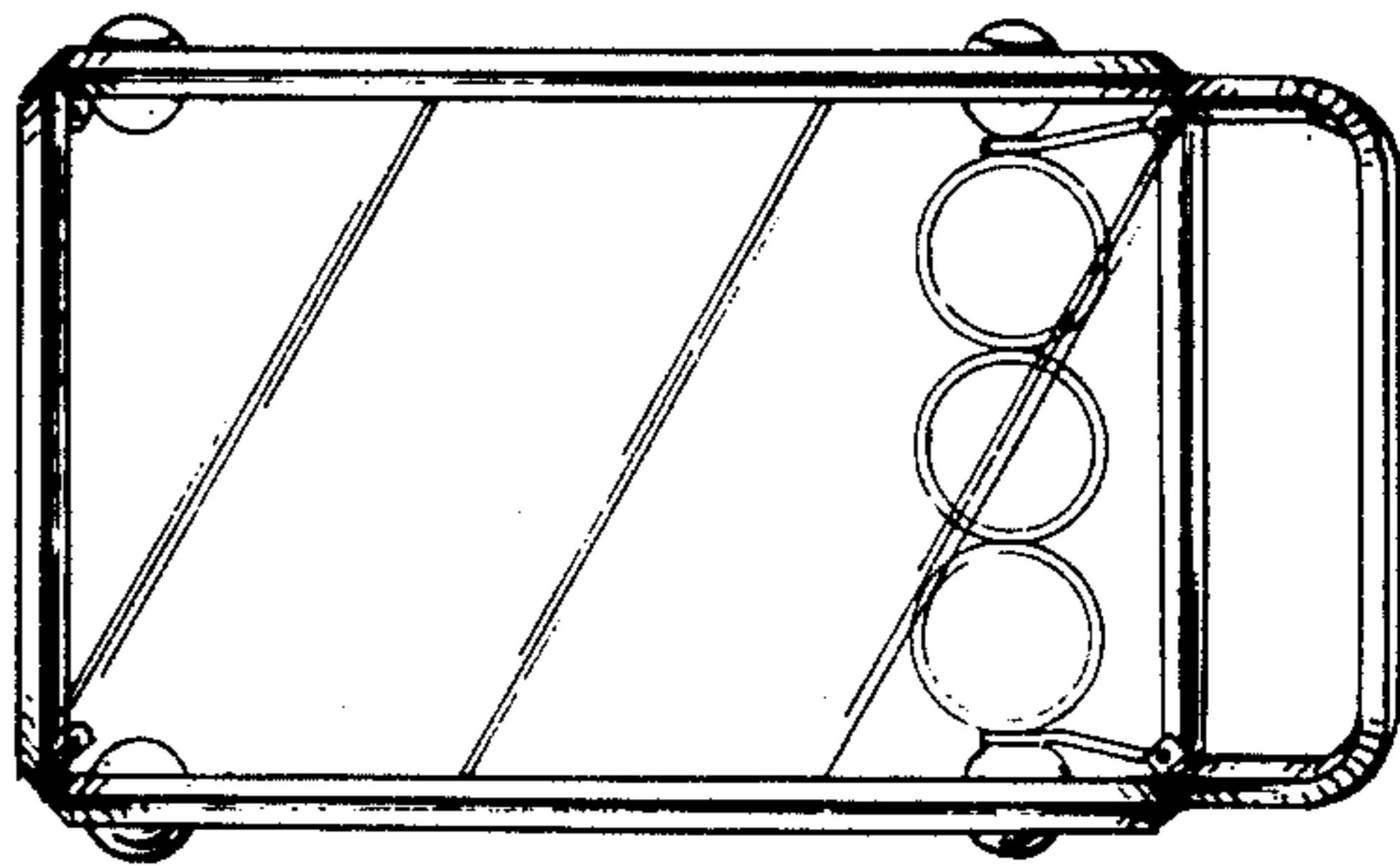


FIG. 3

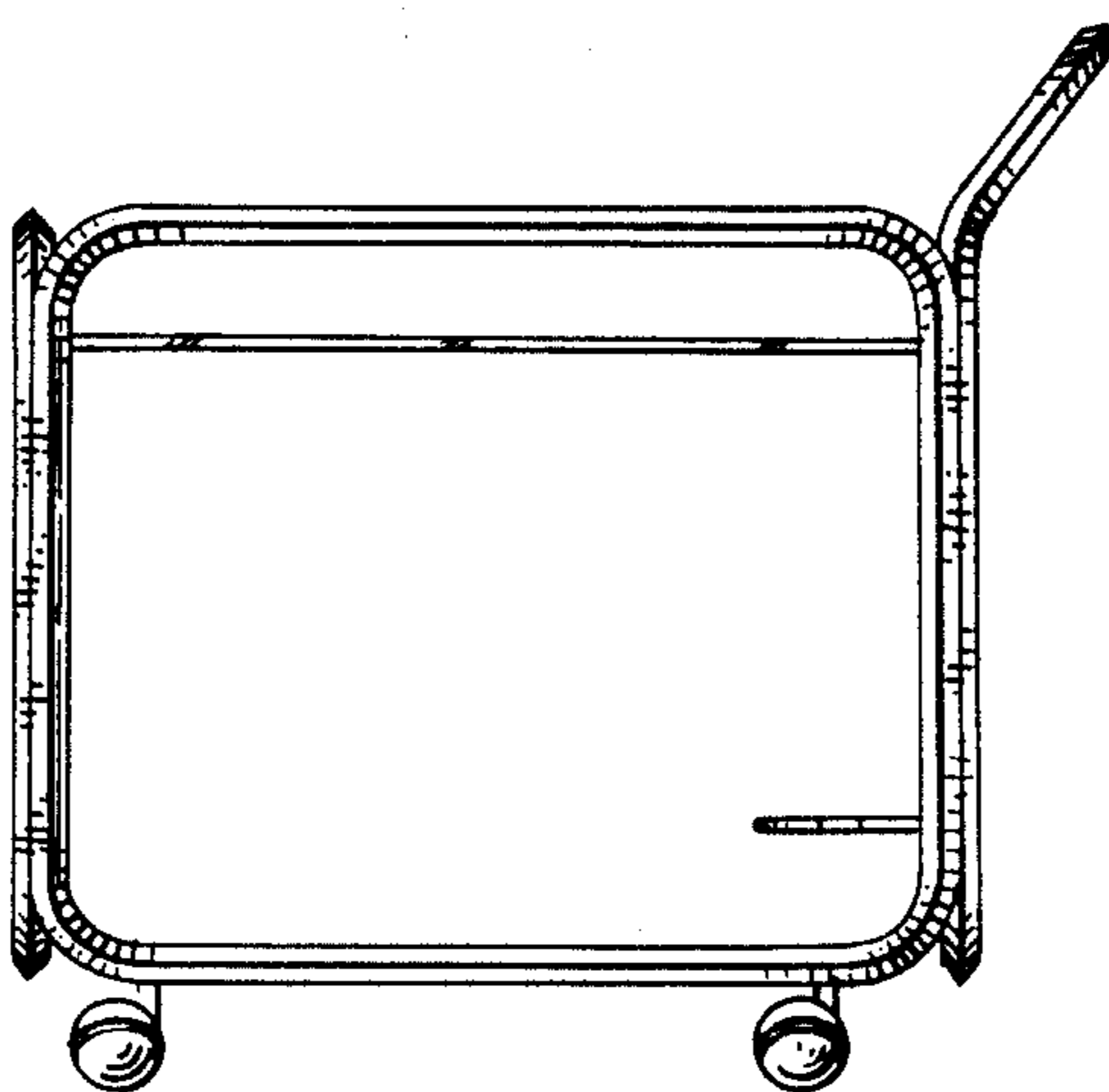


FIG. 4

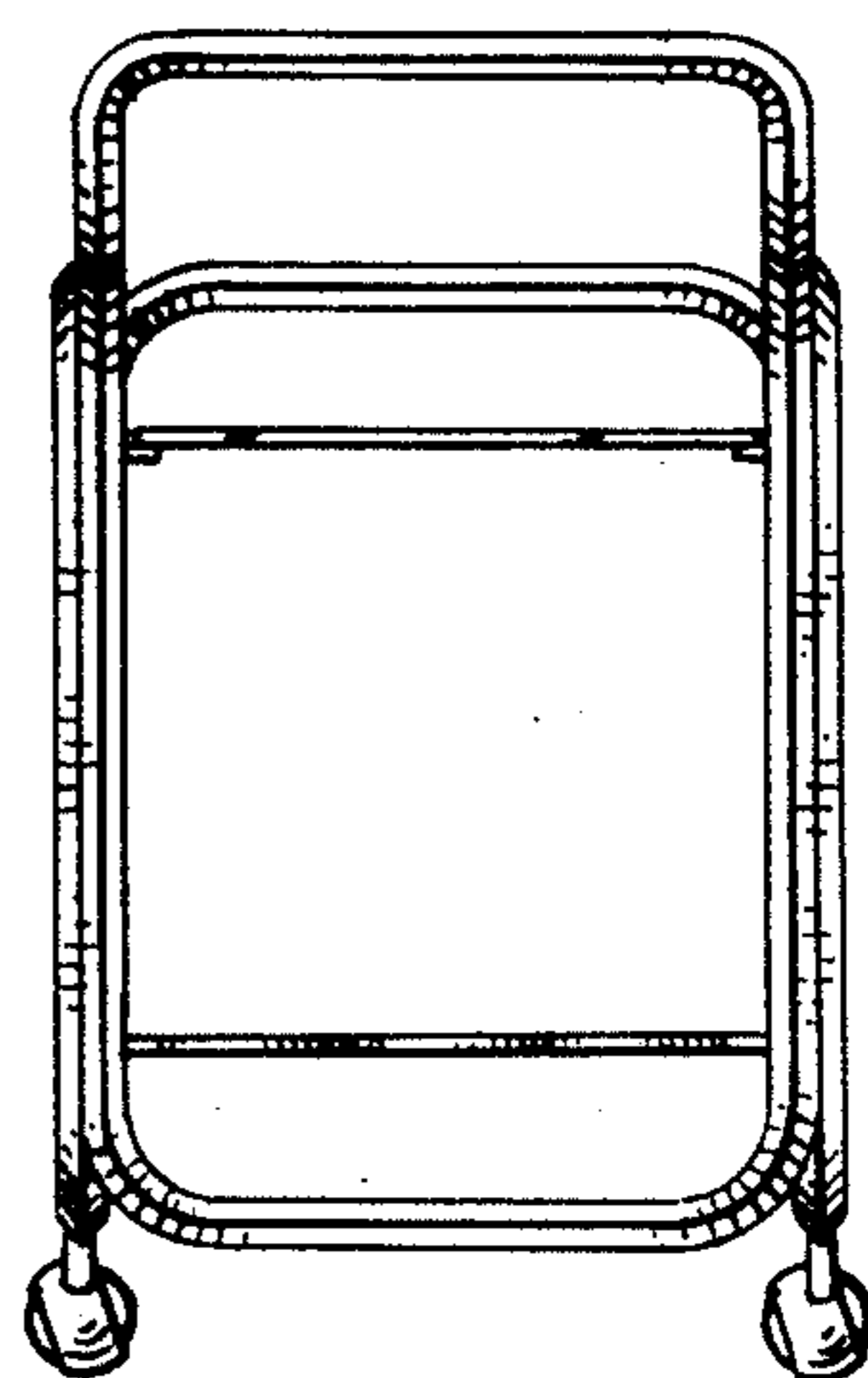


FIG. 5