

[54] MOBILE BROILER ROTISSERIE

[76] Inventor: James Simmons, P.O. Box 312, 5044 St. Joseph Ave., Stevensville, Mich. 49127

[**] Term: 14 Years

[21] Appl. No.: 787,579

[22] Filed: Apr. 14, 1977

[51] Int. Cl. D7-02

[52] U.S. Cl. D7/108

[58] Field of Search D7/107, 108, 109, 110; D12/22, 32, 33; 126/25 R, 25 A, 25 AA; 99/419, 421 R, 421 H, 421 HH, 421 HU

[56] References Cited

U.S. PATENT DOCUMENTS

D. 164,881 10/1951 Roth D7/108

D. 218,654 9/1970 Moncrief D7/108

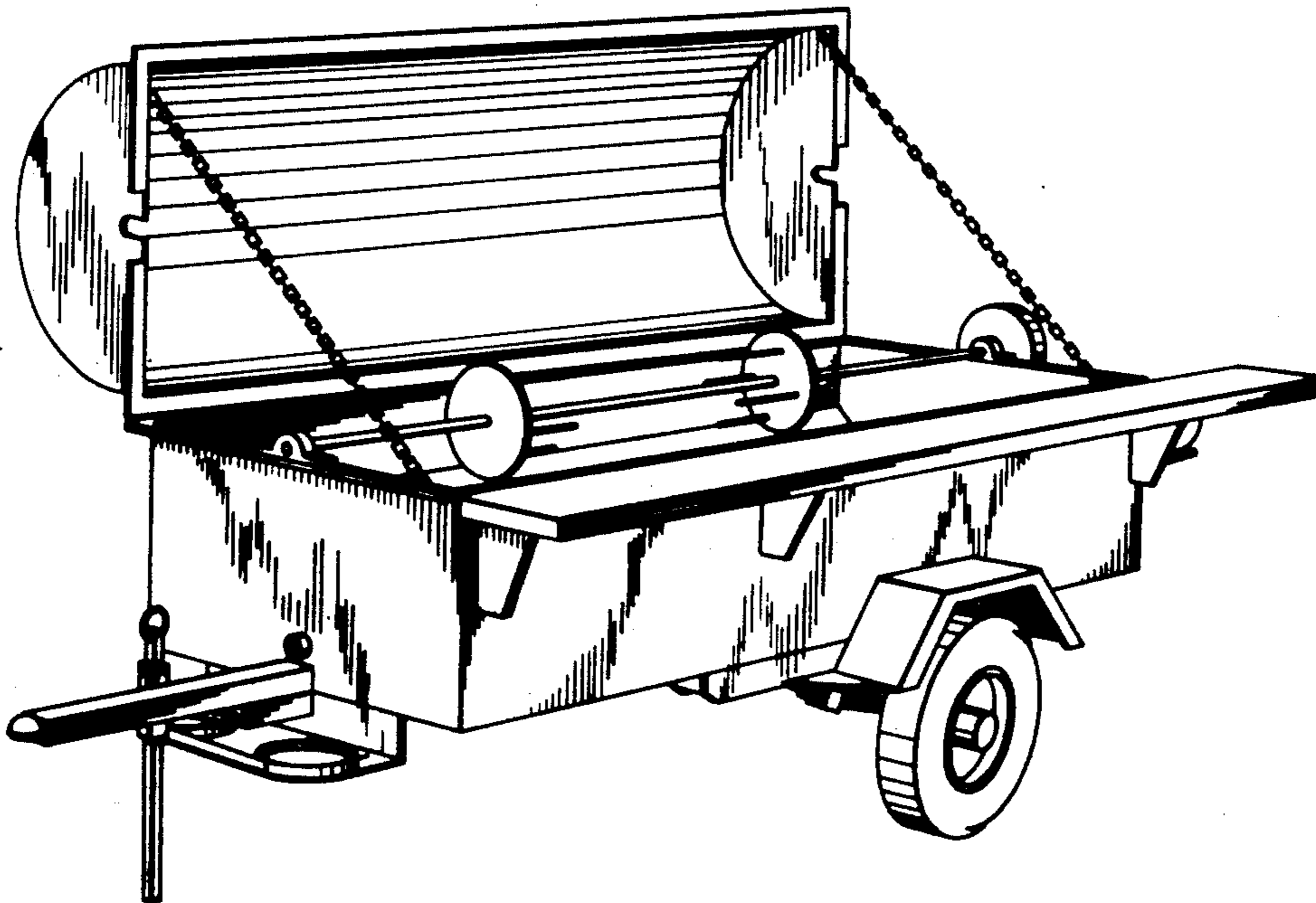
Primary Examiner—Wallace R. Burke
Assistant Examiner—Catherine Kemper
Attorney, Agent, or Firm—Raywood H. Blanchard

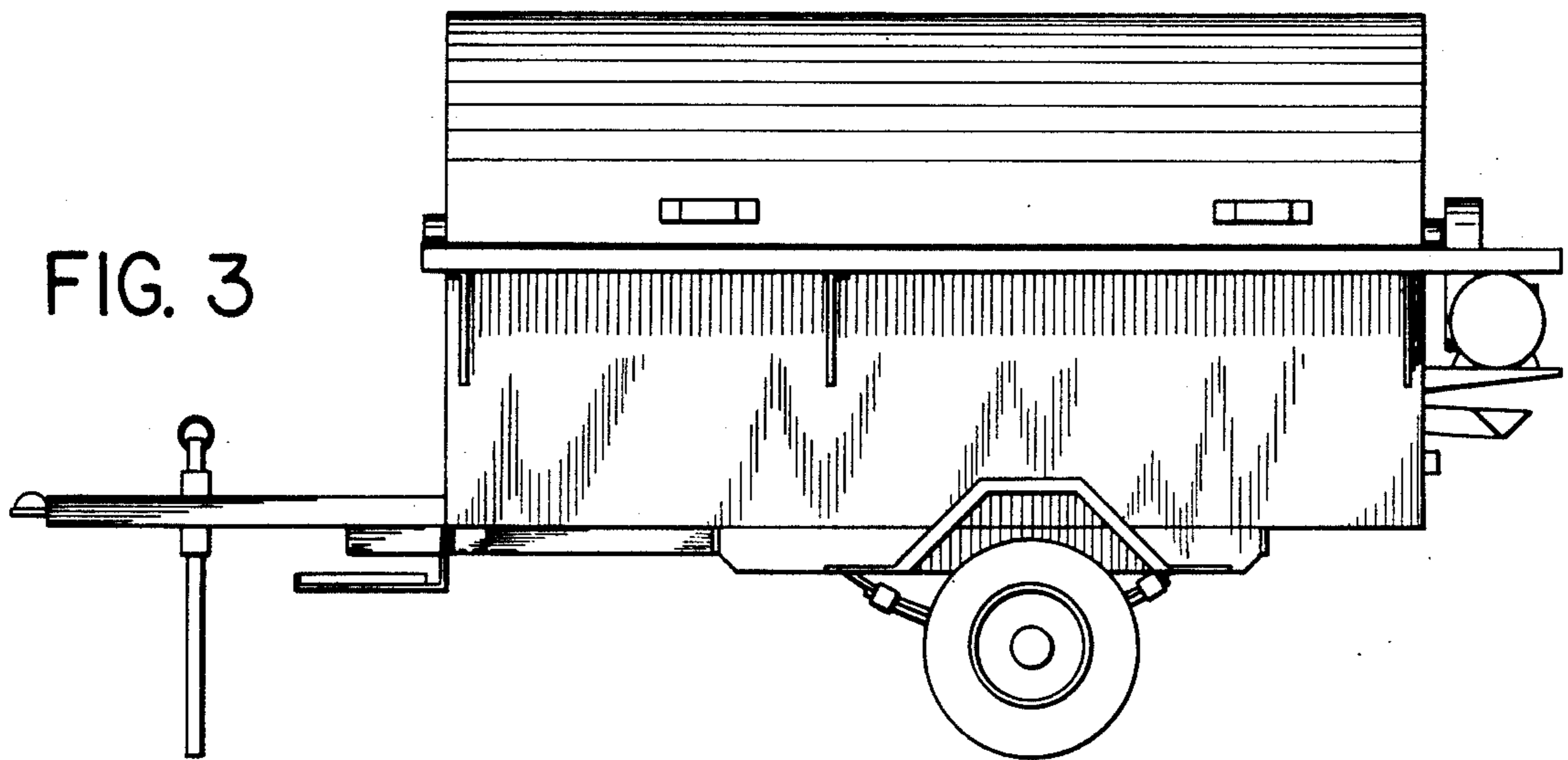
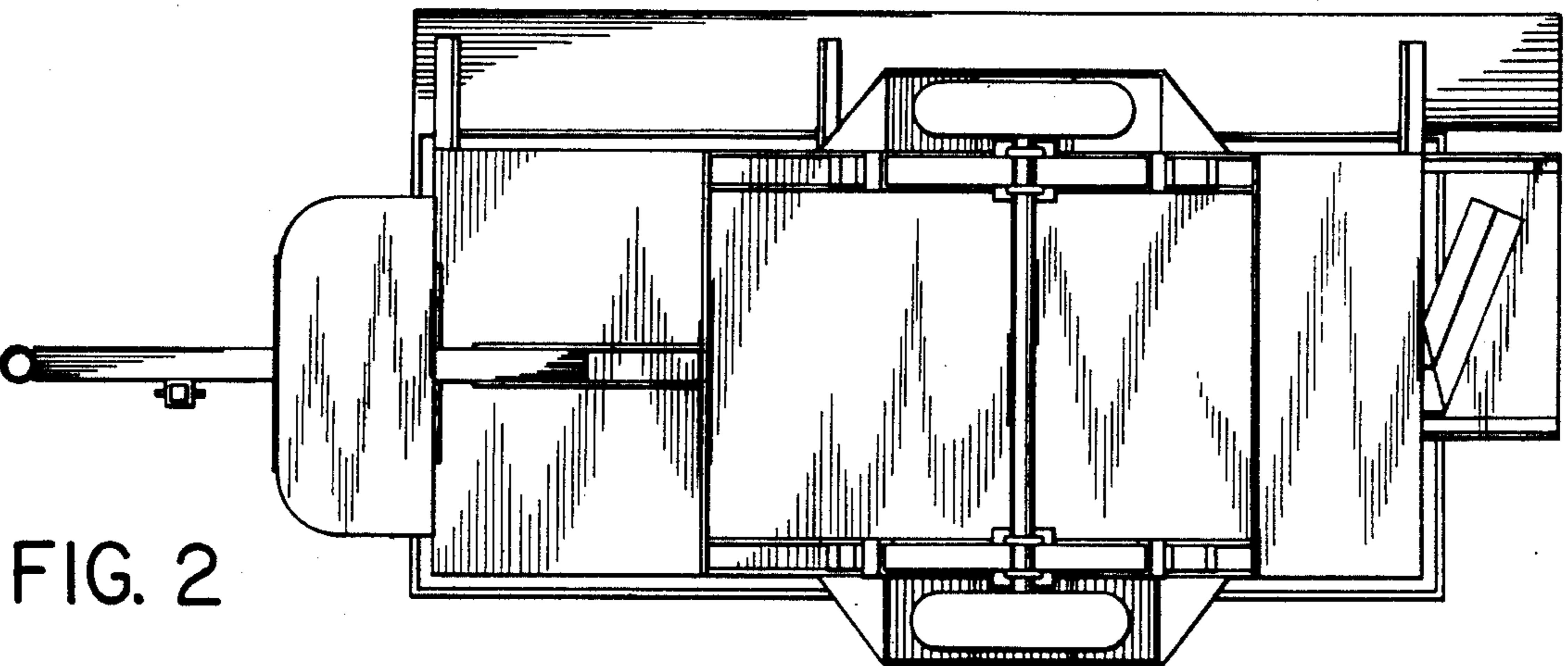
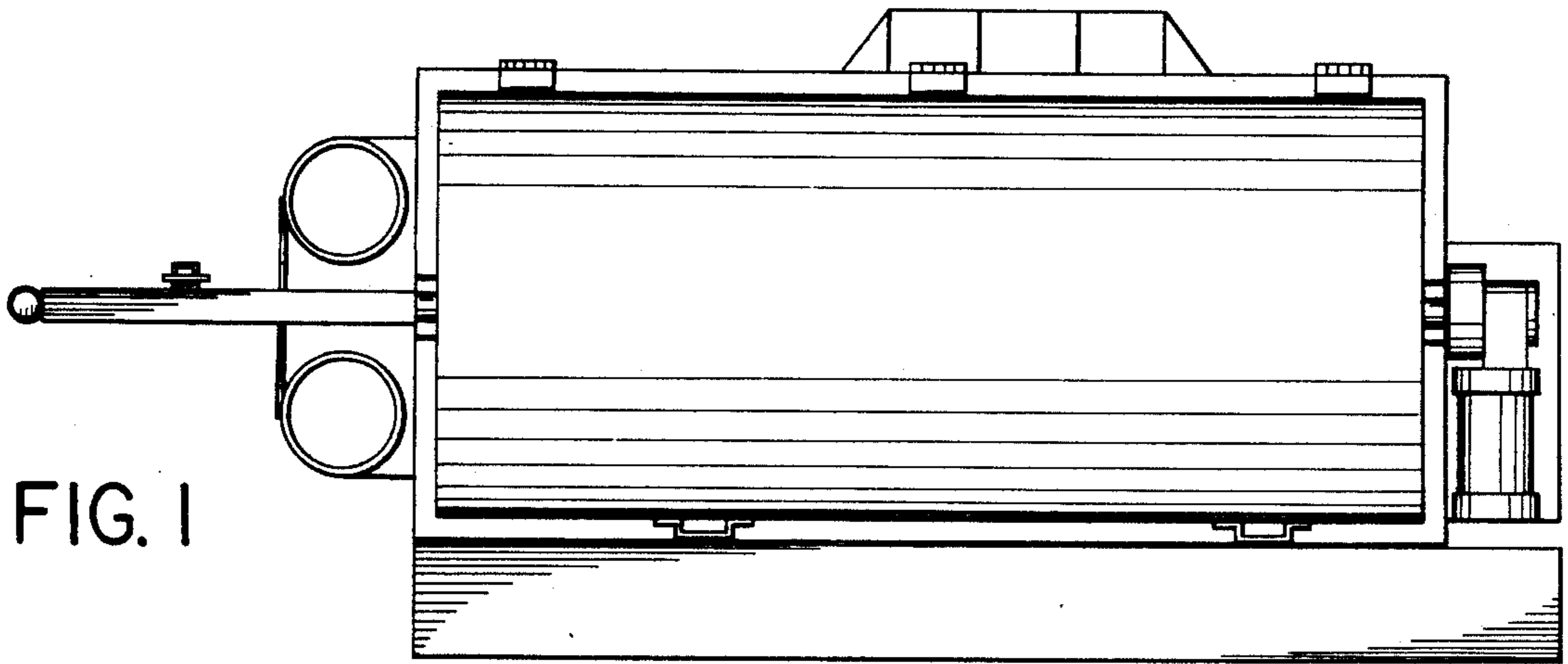
[57] CLAIM

The ornamental design for a mobile broiler rotisserie, as shown and described.

DESCRIPTION

FIG. 1 is a top plan view of a mobile broiler rotisserie showing my new design;
FIG. 2 is a bottom plan view thereof;
FIG. 3 is a right side view thereof;
FIG. 4 is a left side view thereof;
FIG. 5 is a front elevational view thereof;
FIG. 6 is a rear elevational view thereof; and
FIG. 7 is a perspective view thereof shown with the cover raised.





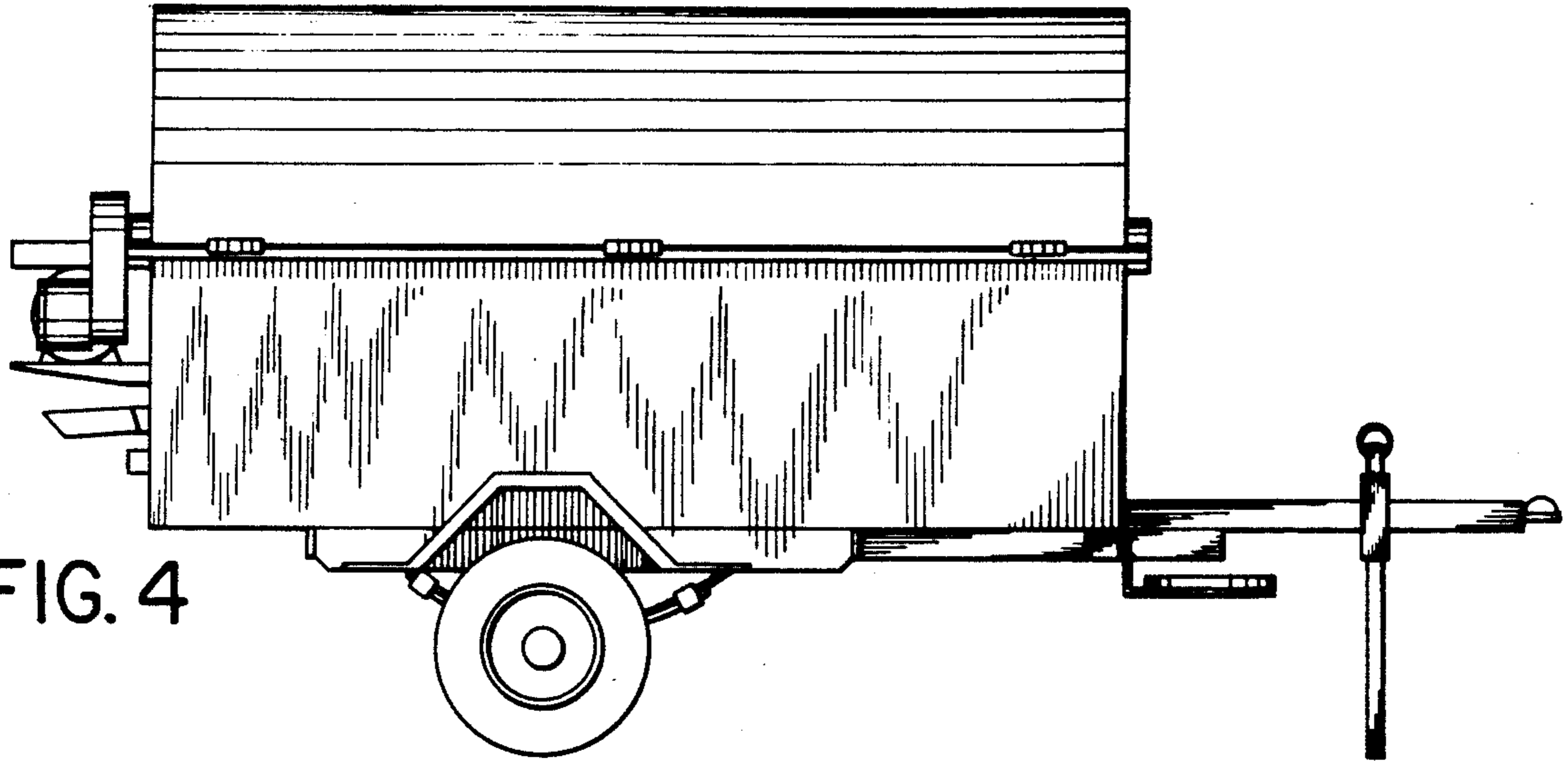


FIG. 4

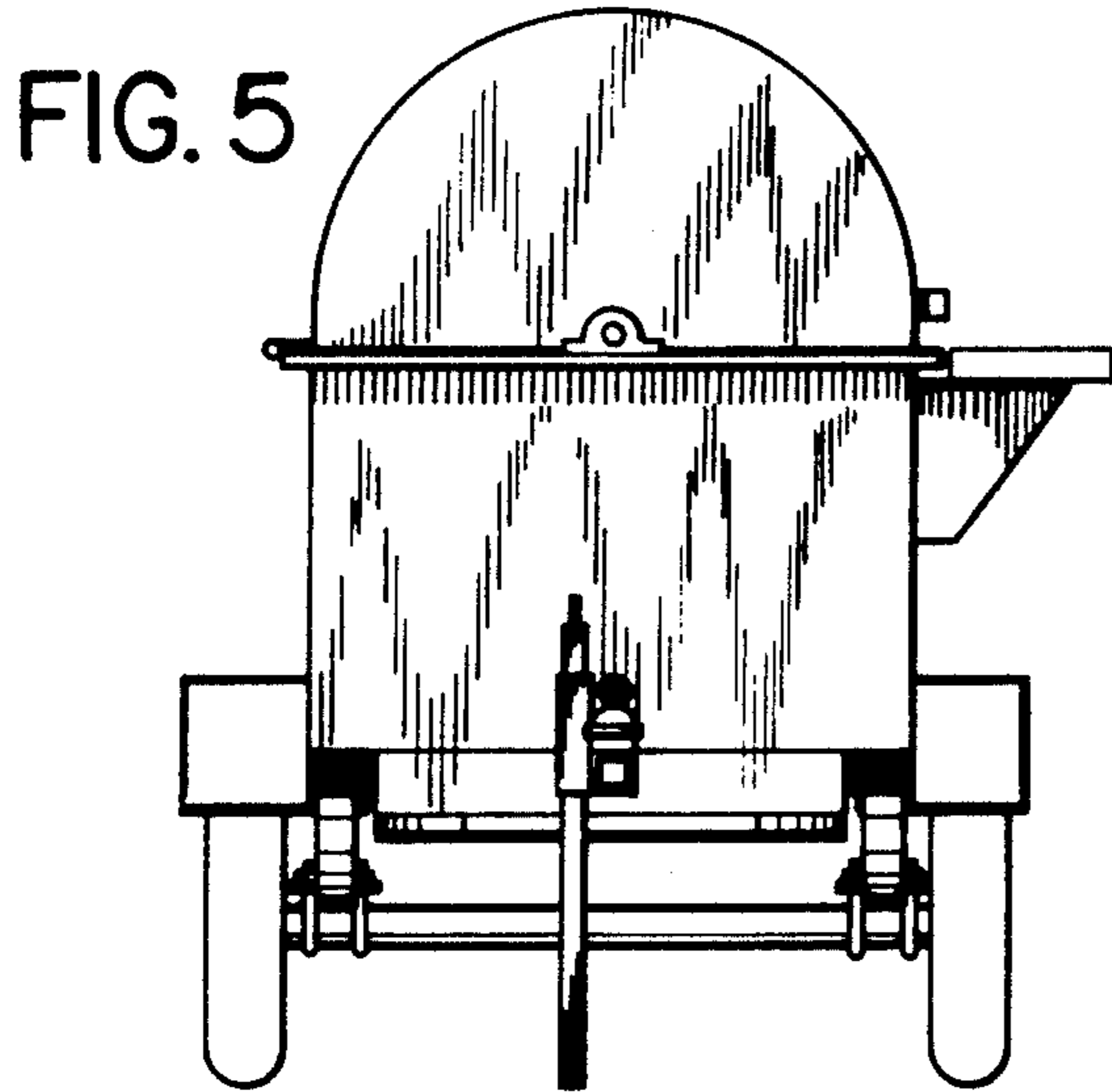


FIG. 5

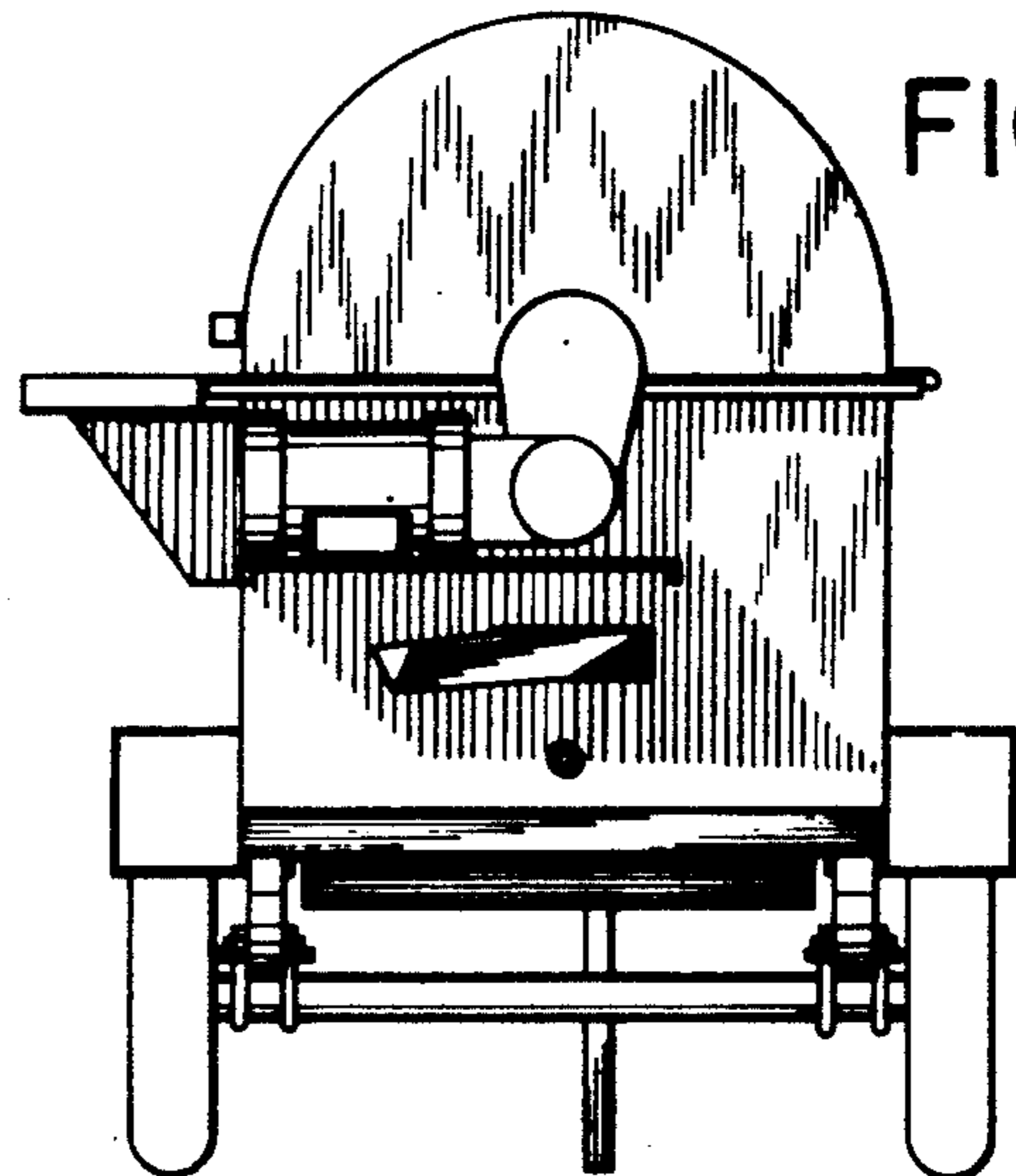


FIG. 6

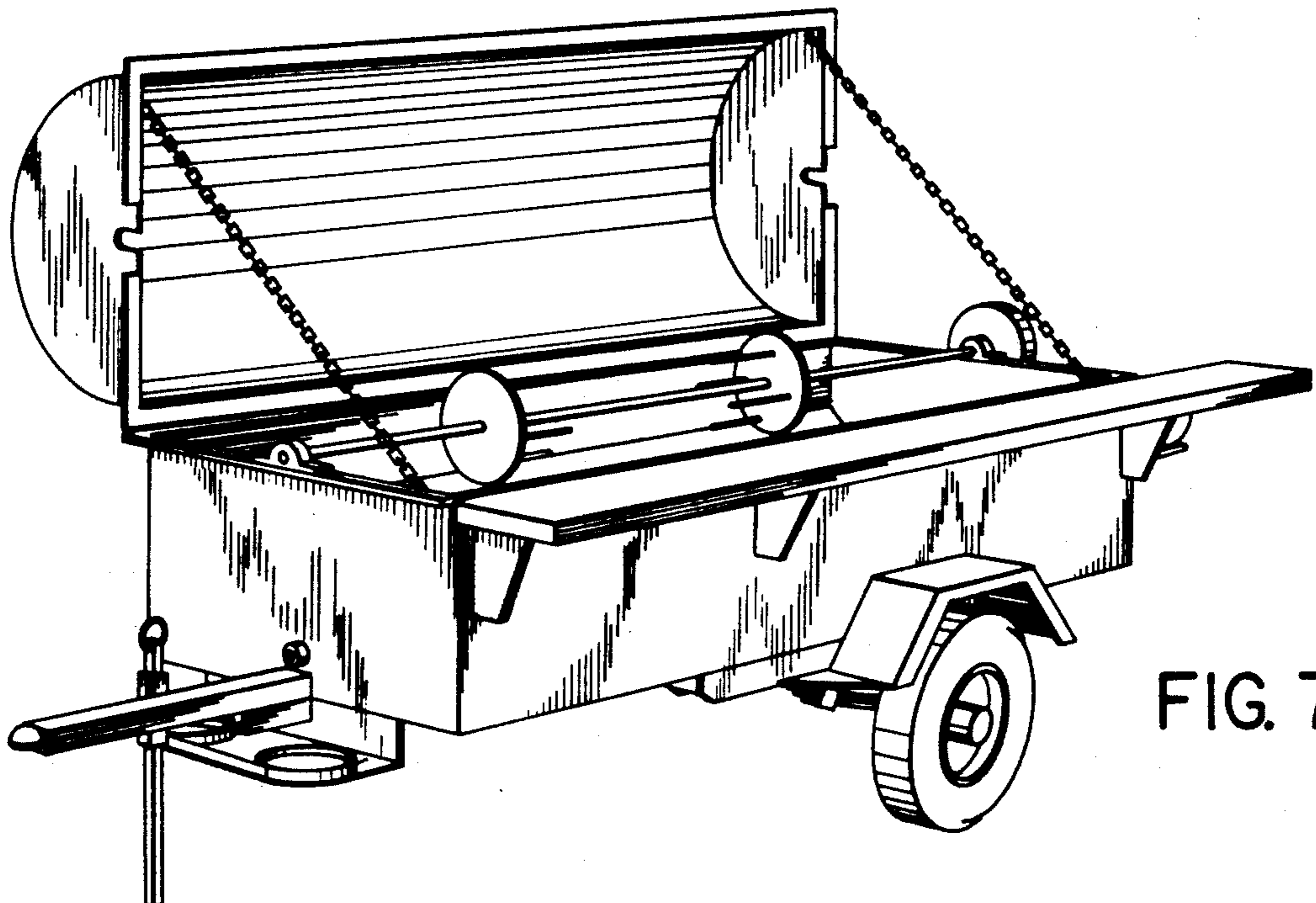


FIG. 7