

[54] **INSULATED FOOD SERVICE TRAY AND COVER THEREFOR**

3,754,640 8/1973 Bridges ..... D7/38 X  
3,799,386 3/1974 Madalin ..... 220/16  
3,938,688 2/1976 Ryan ..... 220/23.8

[75] Inventor: **Edgar Otto, Scotch Plains, N.J.**

*Primary Examiner*—Robert C. Spangler  
*Attorney, Agent, or Firm*—Leonard J. Santisi

[73] Assignee: **Therma-Tray Corporation, South Plainfield, N.J.**

[57] **CLAIM**

[\*\*] Term: **14 Years**

The ornamental design for an insulated food service tray and cover therefor, as shown.

[21] Appl. No.: **746,231**

**DESCRIPTION**

[22] Filed: **Dec. 1, 1976**

[51] Int. Cl. .... **D7-99**

FIG. 1 is a top plan view of an insulated food service tray and cover therefor embodying my new design; FIG. 2 is a front elevational view; FIG. 3 is a side elevational view; FIG. 4 is a rear elevational view; FIG. 5 is a bottom plan view; FIG. 6 is a sectional view taken on the line 6—6 of FIG. 1; FIG. 7 is a sectional view taken on the line 7—7 of FIG. 1; FIG. 8 is a bottom plan view of the cover portion; and FIG. 9 is a top plan view of the tray portion.

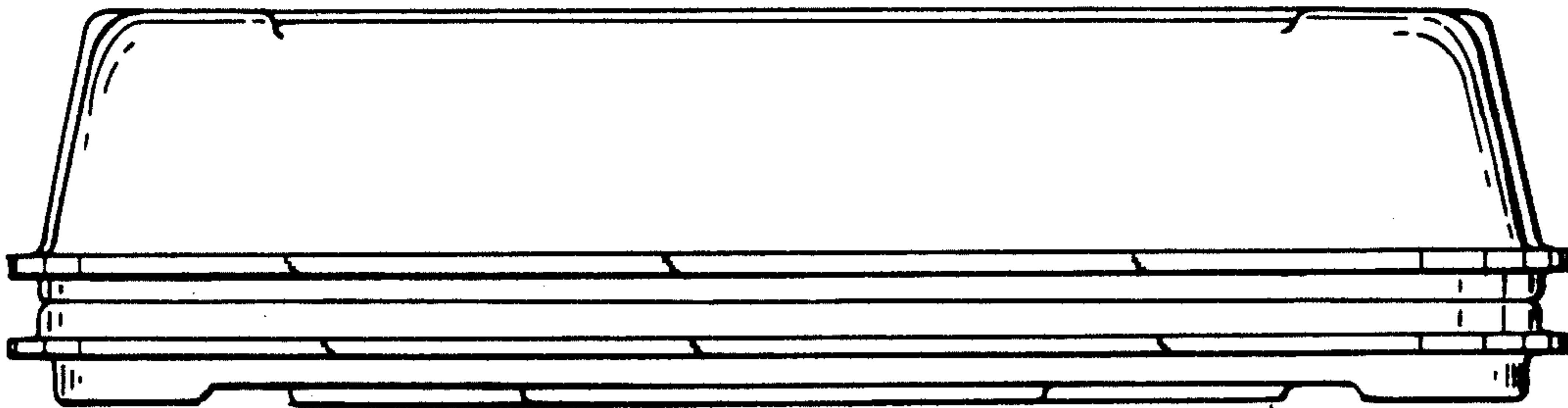
[52] U.S. Cl. .... **D7/38; D9/185**

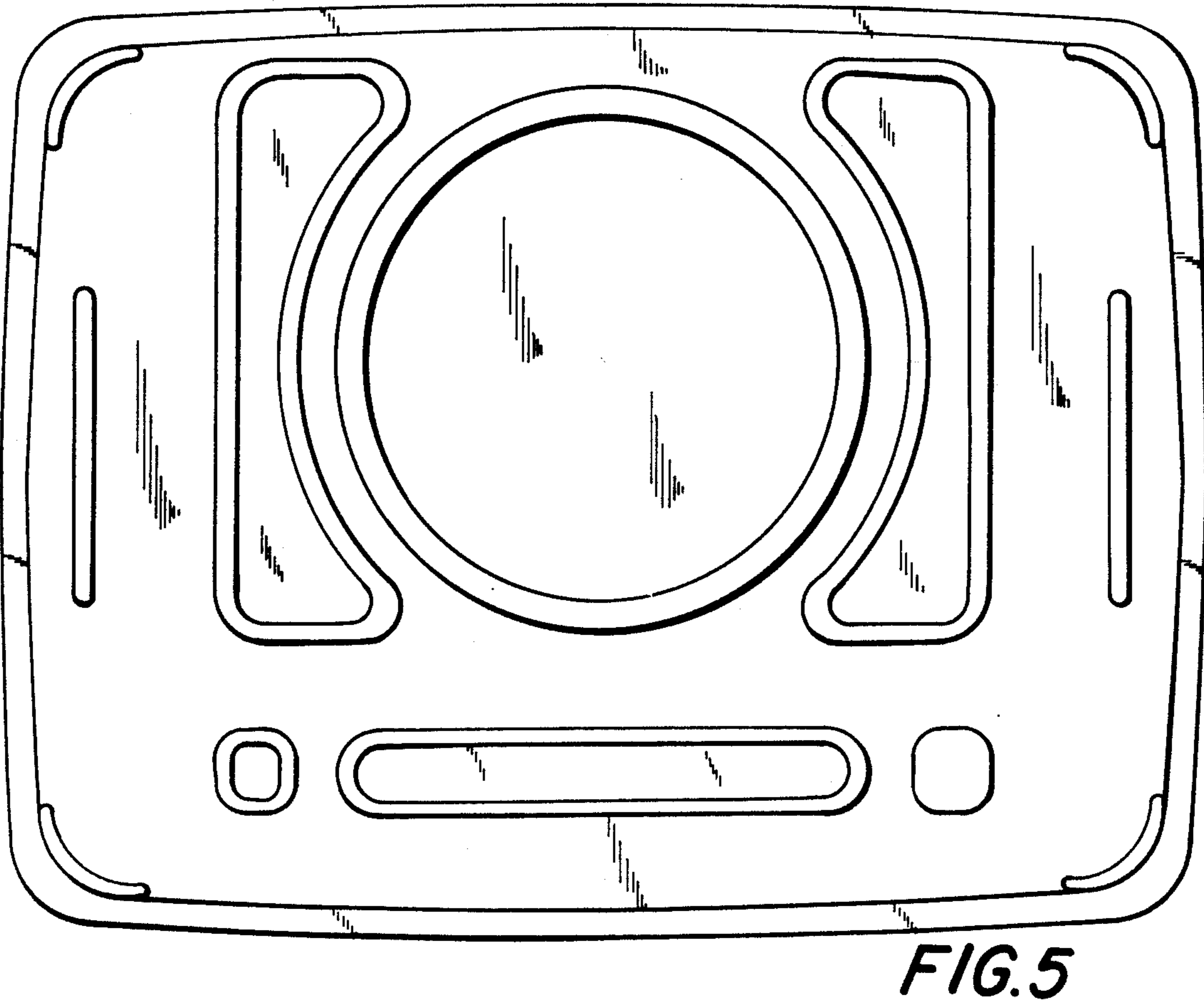
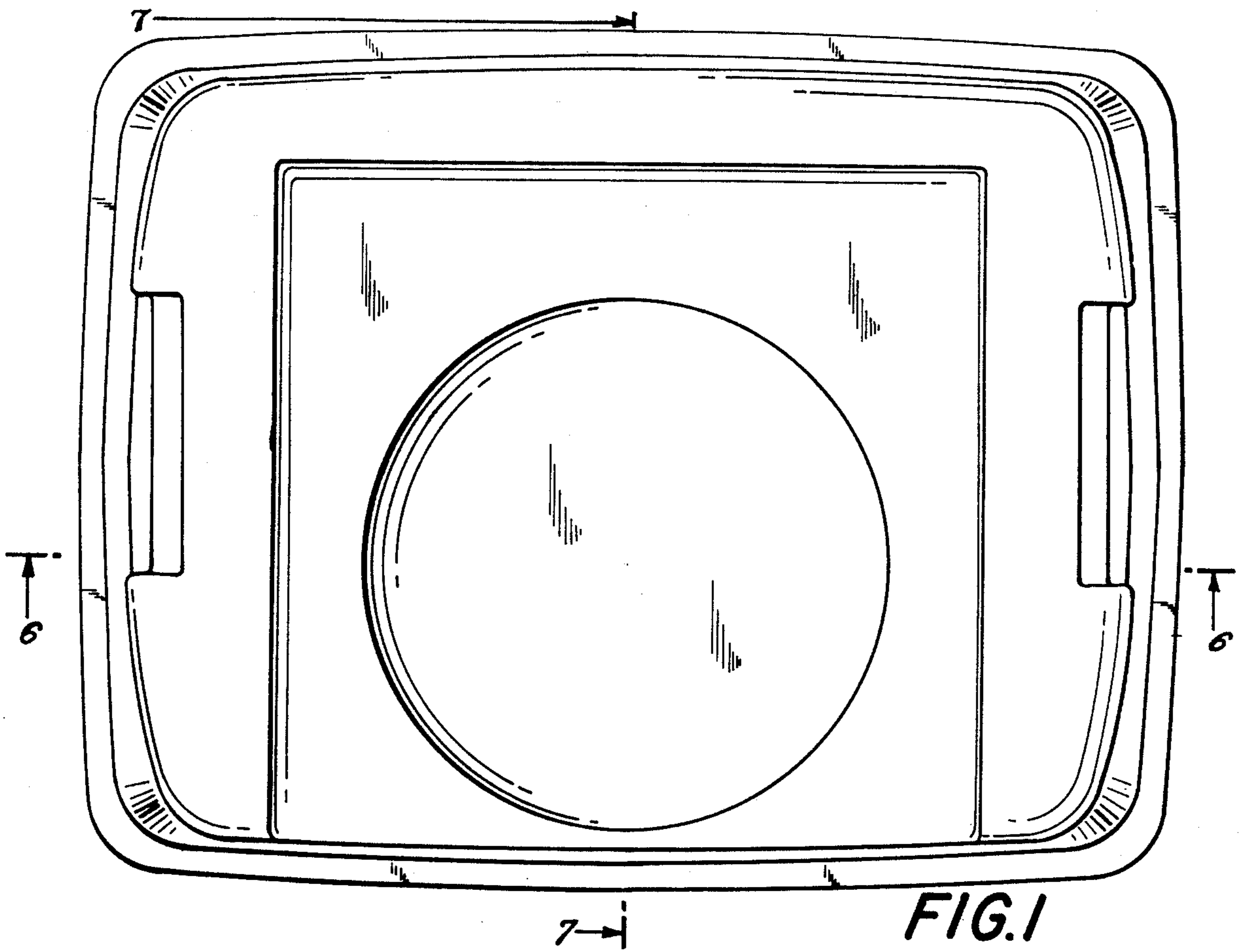
[58] Field of Search ..... 229/2.5, 4.5 M, 29 M, 229/30; D9/184-189, 219, 242-243; D7/16, 38, 77; 220/16, 9 F, 23.6, 23.8

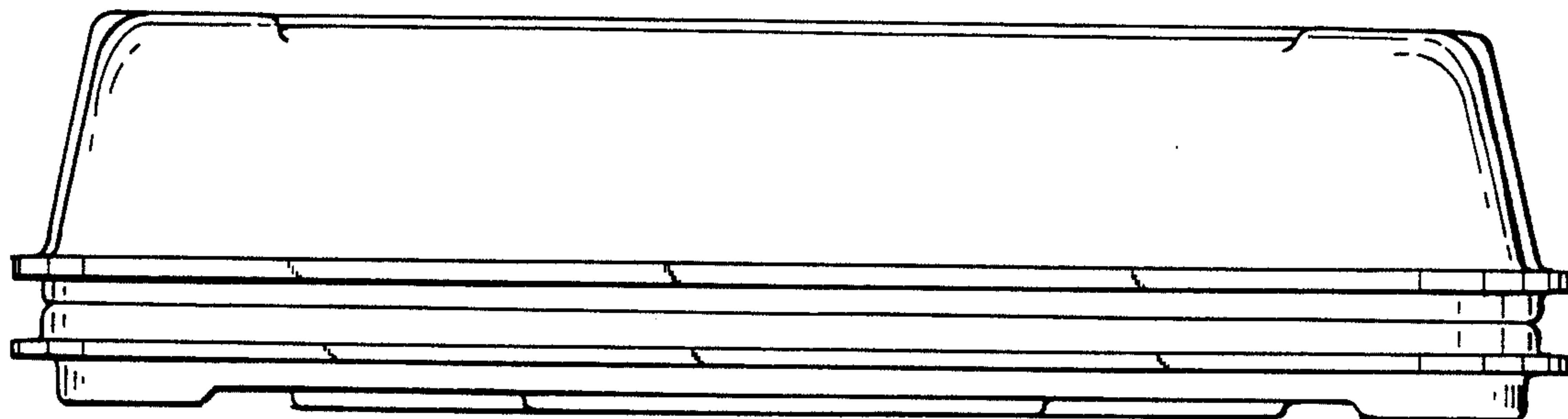
[56] **References Cited**

**U.S. PATENT DOCUMENTS**

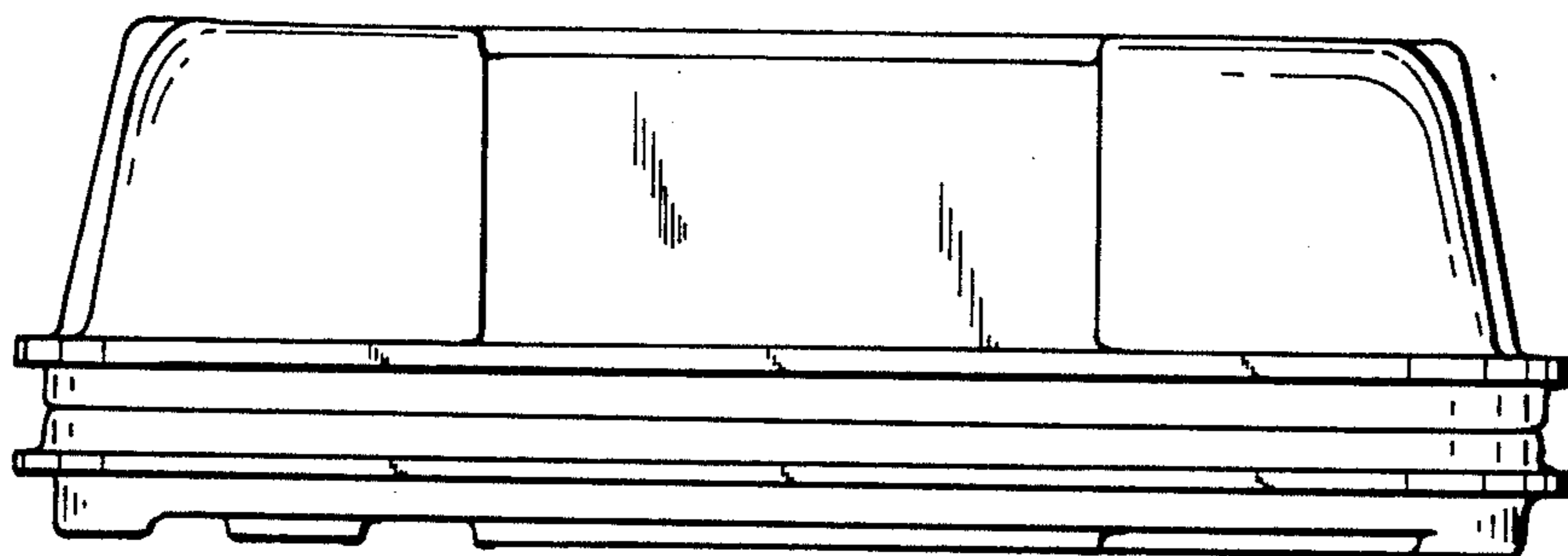
D. 236,677 9/1975 Pilger et al. .... D7/38  
3,295,737 1/1967 Page et al. .... D7/38 X  
3,532,247 10/1970 Bridges ..... D7/38 X



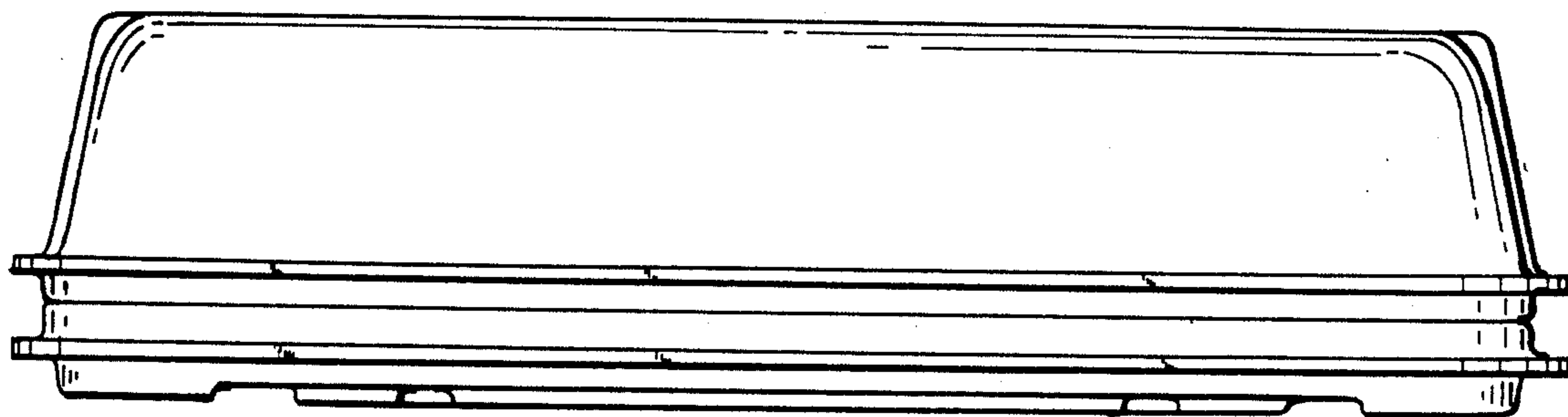




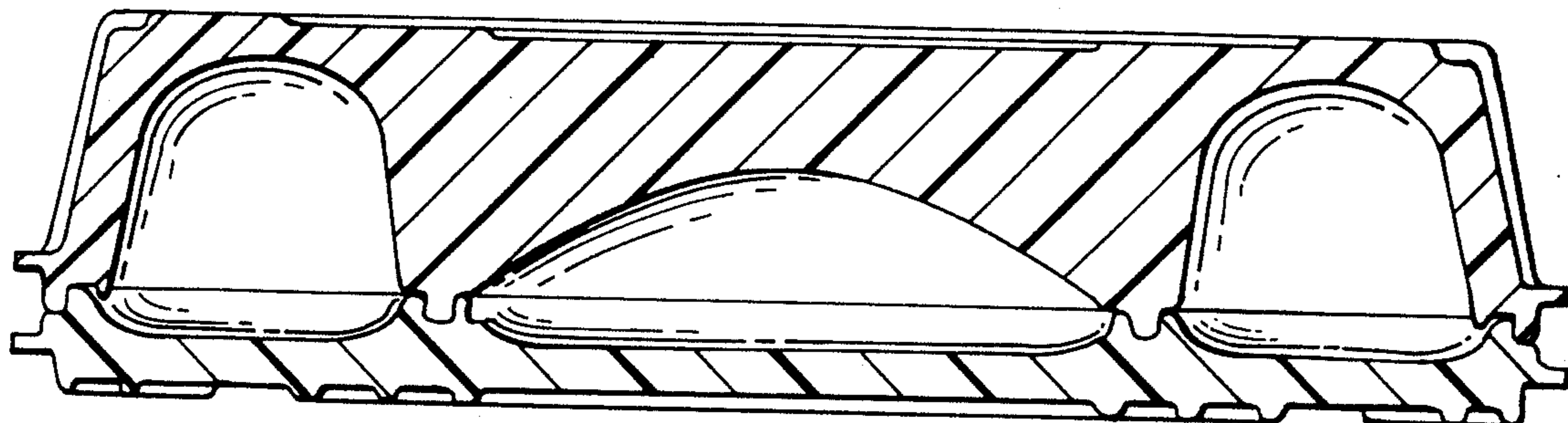
**FIG. 2**



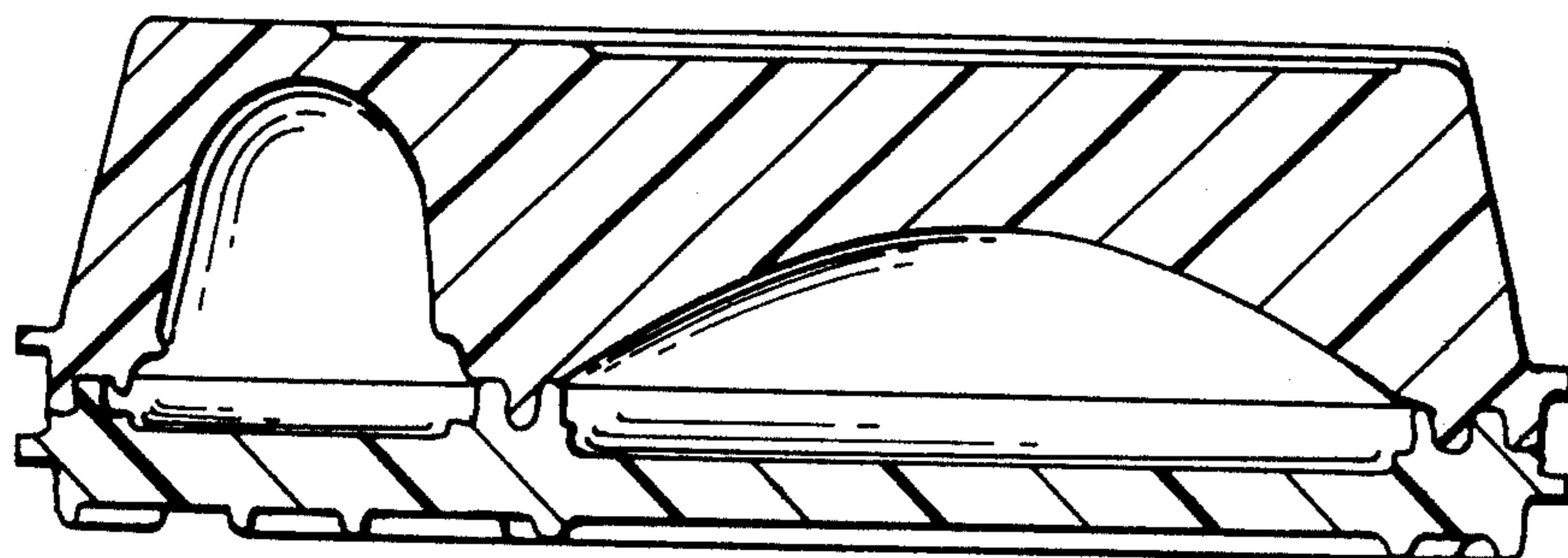
**FIG. 3**



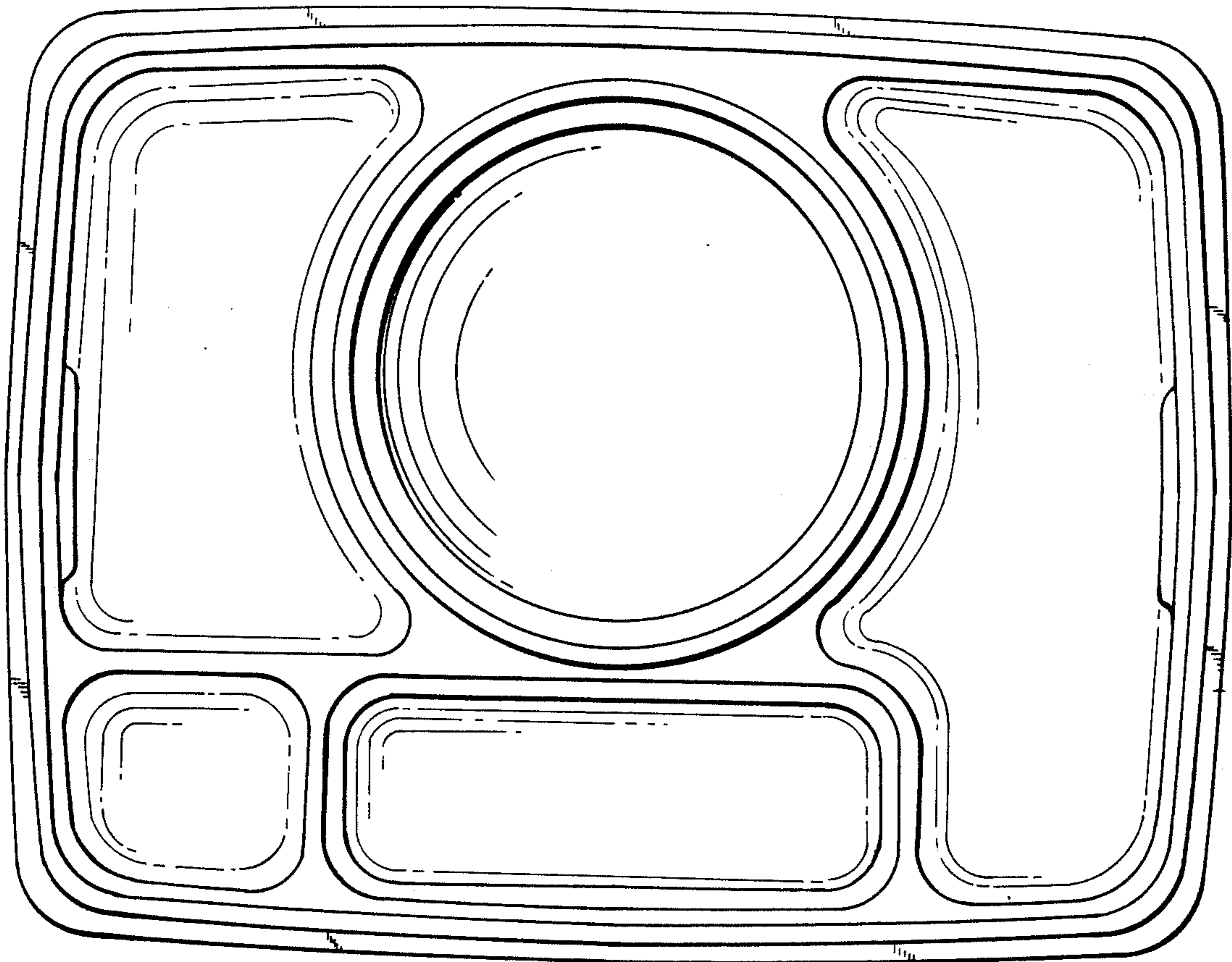
**FIG. 4**



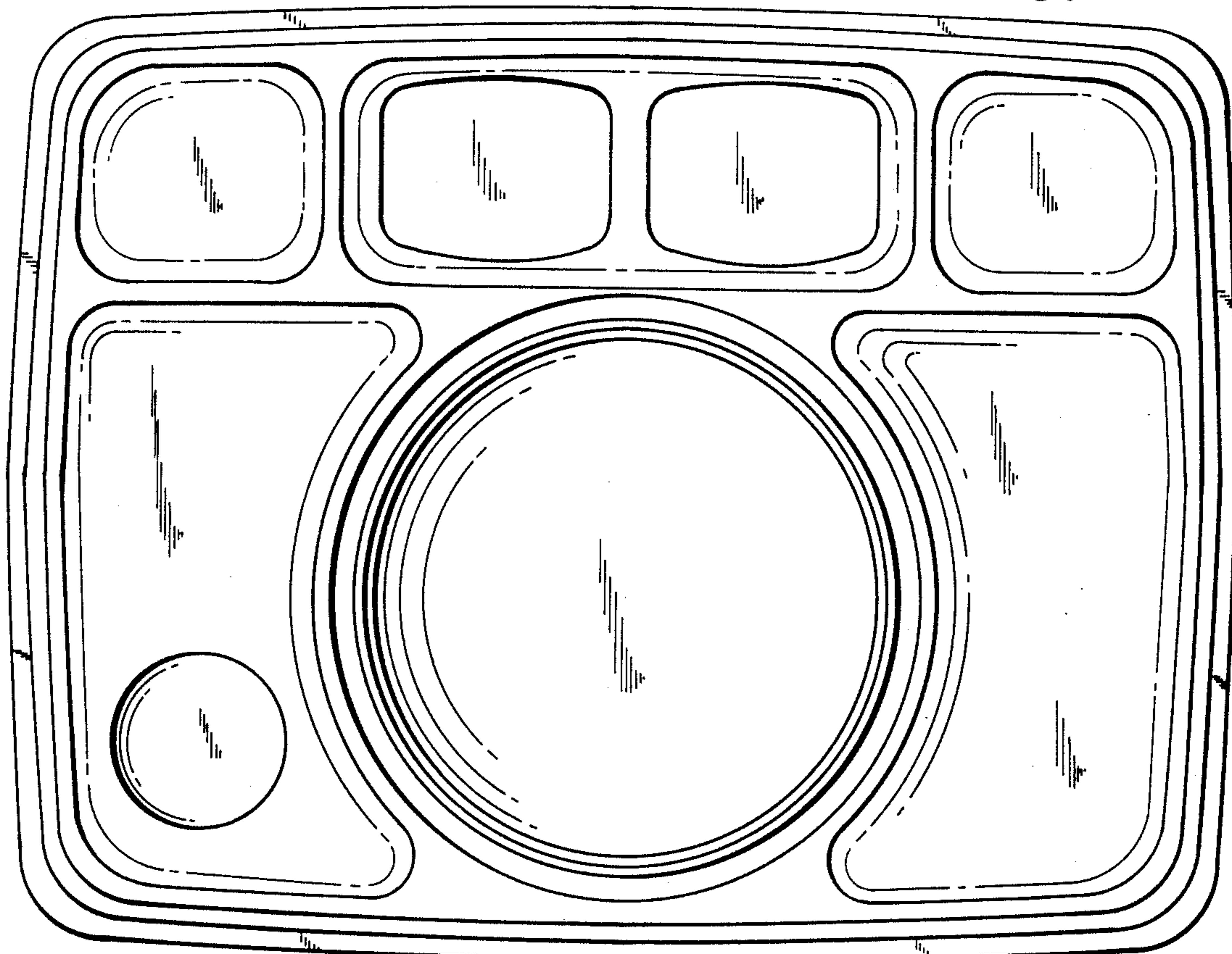
**FIG. 6**



**FIG. 7**



**FIG. 8**



**FIG. 9**